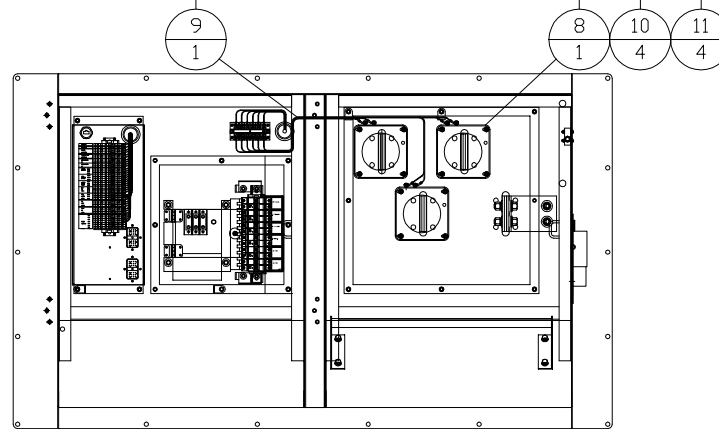


ITEM	QTY.	PART NO. & DESCRIPTION
1	1	81C510-UMR MOUNTING GROUP
2	6	4L-6454-3/8"-16THD BOLT
3	6	8T-4896-HARD WASHER
4	1	86C189-UMR LIFT EYE
5	1	86E180-UMR MOUNTING GROUP
6	5	33B-3669-BOLT FLANGE (M10) (55 N.m)
7	1	372-8282-HARNES AS (57E323)
8	3	122-6587-TRANSFORMER - CURRENT
9	1	88E156-HARNES AS
10	12	7X-2533 - BOLT - M6x1.5
11	12	4B-4274 WASHER - HARD
12	6	096-4415-LOCK WASHER
13	1	86C186-UMR BRACKET

NOTE A 3 PLACES



DETAIL VIEW A-A
SCALE 2:1

NOTE A: SECURE TO LADDER BRACKETS WITH TY-RAPS

2/10/15 JAM		DATE BY		ALTORFER		ALTORFER POWER SYSTEMS	
2/26/05				6315 W. FAUBER RD.		PHONE (309) 697-1234	
				BARTONVILLE, IL 61607		FAX (309) 282-7546	
THIS DOCUMENT CONTAINS PROPRIETARY INFORMATION OF ALTORFER, INC. WITHOUT THE WRITTEN PERMISSION OF ALTORFER, INC., ANY COPYING OR OTHER USE EXCEPT THAT FOR WHICH IT WAS INTENDED IS PROHIBITED.							
ITEM 2.012 CORRECTION		CORRECTION		FILE		PROJECT REFERENCE	
1		NO		DF/B1A		APS1000A	
2		NO		SCALE/SHEET SIZE		DRAWN BY	
1		NO		1=15/C		JAM	
1		NO		SHEET		DATE	
1		NO		1 OF 1		01-20-15	
1		NO		TITLE		DRAWING NUMBER	
1		NO		UMR MOUNTING GROUP		81A523-02	