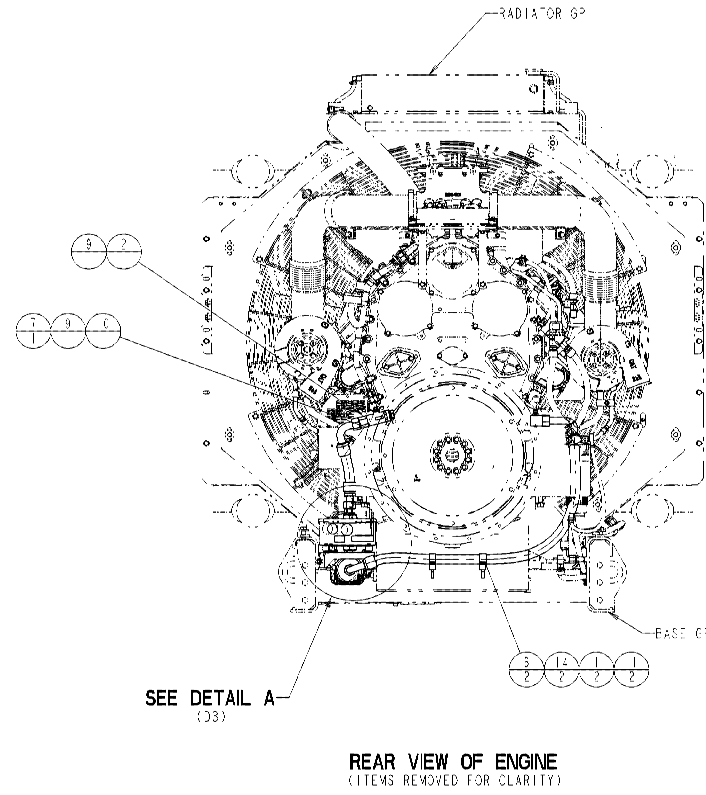
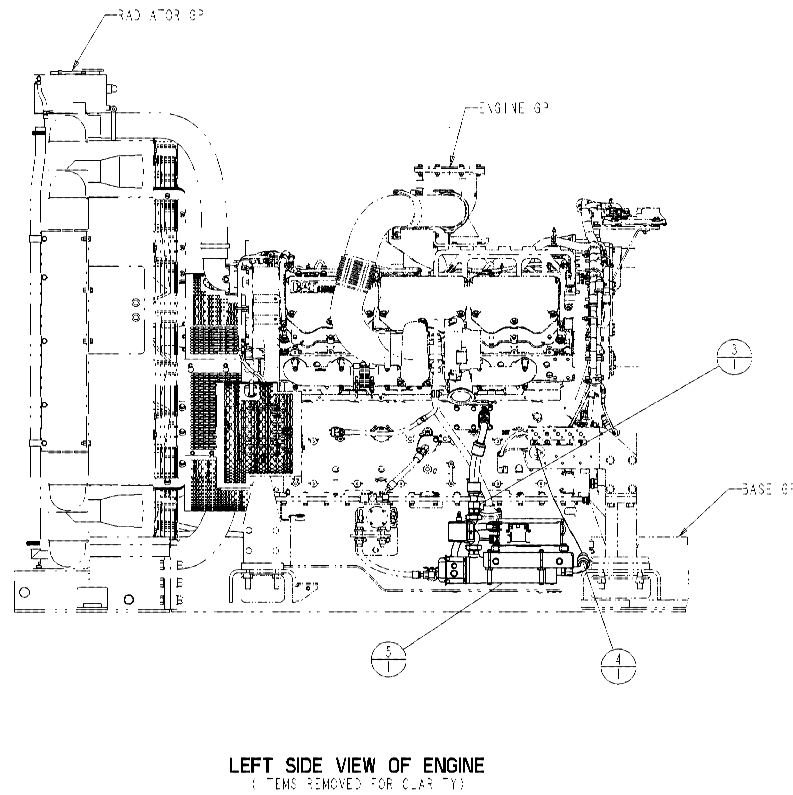


ITEM	QTY.	P/N & DESCRIPTION
1	2	091-9035-SPACER
2	2	172-8024-VALVE-BALL
3	1	399-2332-HOSE AS
4	1	399-2333-HOSE AS
5	1	399-2335-HEATER GP-JW-BASIC
6	2	242-6099-CLIP-LOOP
7	2	5K-9090-SEAL-O-RING
8	1	6V-9008-ADAPTER-ELBOW
9	4	7M-8485-SEAL-O-RING
10	1	8C-5723-CONNECTOR-DRFS
11	2	8T-4121-WASHER-HARD
12	2	8T-4183-BOLT-HEX HD. M12X1.75
13	2	8T-4223-WASHER-HARD
14	2	8T-6466-BOLT-HEX HD. M10X1.5
15	2	198-4777-SPACER



ILLUSTRATIONS ARE CATERPILLAR GRAPHICS REPRINT FOR INFORMATION ONLY

DATE BY		ALTORFER		ALTORFER POWER SYSTEMS	
		6315 W. FAUBER RD. PHONE (309) 697-1234		BARTONVILLE, IL 61607 FAX (309) 282-7546	
THIS DOCUMENT CONTAINS PROPRIETARY INFORMATION OF ALTORFER, INC. WITHOUT THE WRITTEN PERMISSION OF ALTORFER, INC., ANY COPYING OR OTHER USE EXCEPT THAT FOR WHICH IT WAS INTENDED IS PROHIBITED					
CHANGE NOTICE		ALL DIMENSIONS IN INCHES UNLESS OTHERWISE SPECIFIED	FILE DF\81A	PROJECT REFERENCE APS1000A	
TOLERANCES: X.X ± 0.100 X.XX ± 0.060 X.XXX ± 0.005		THIRD ANGLE PROJECTION	SCALE/SHEET SIZE 1=10/D	DRAWN BY JAM	QUOTE NUMBER -
ANGULAR ± 1°			SHEET 1 OF 1	DATE 01-14-15	WORK ORDER NUMBER -
TITLE		JACKET WATER HEATER GROUP			DRAWING NUMBER 81A518-00
2	1				