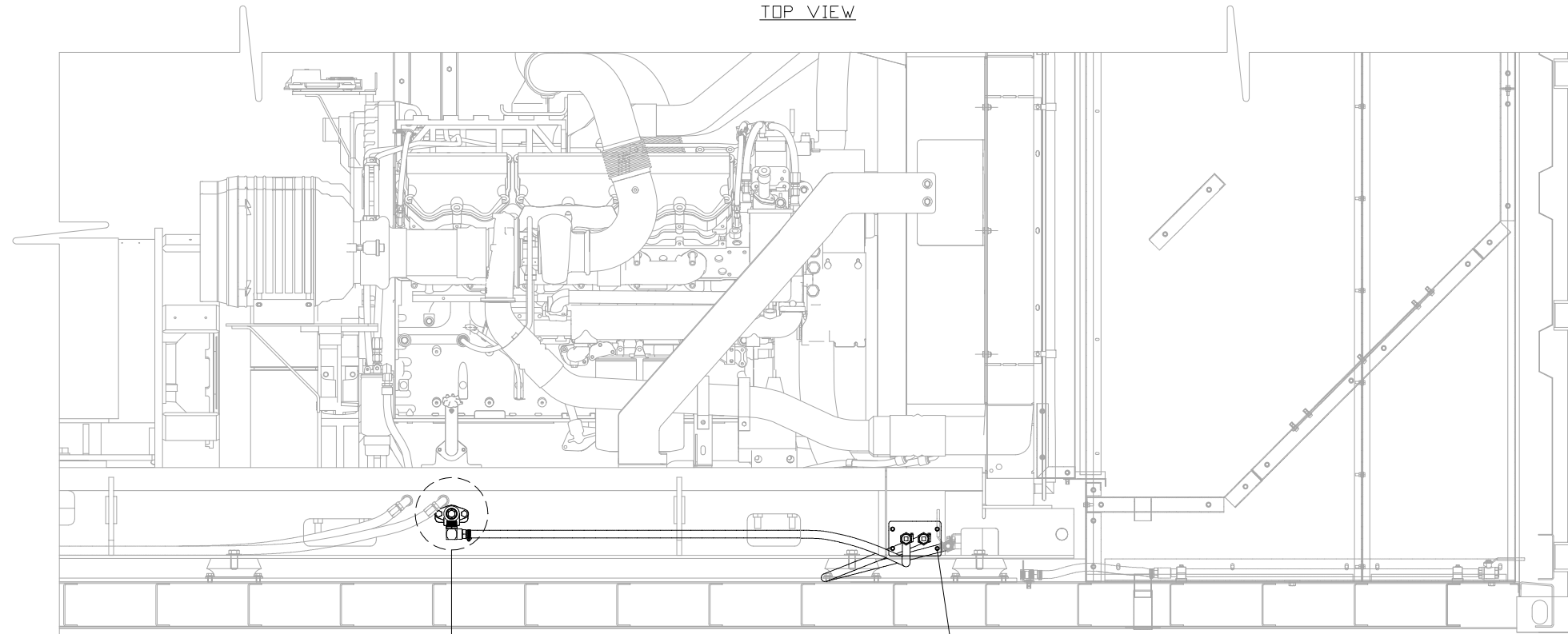
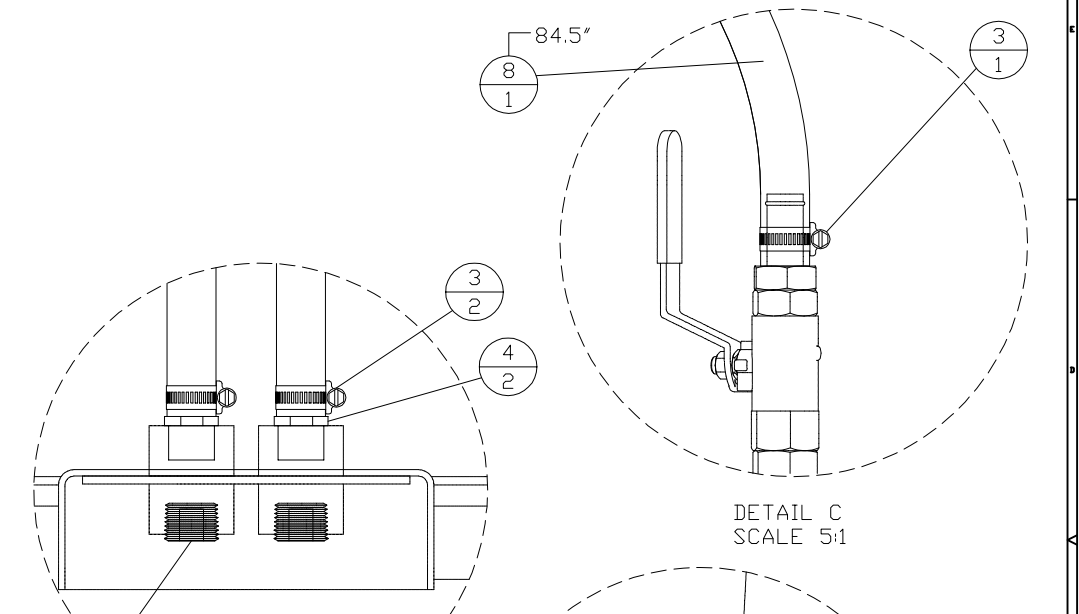


TOP VIEW

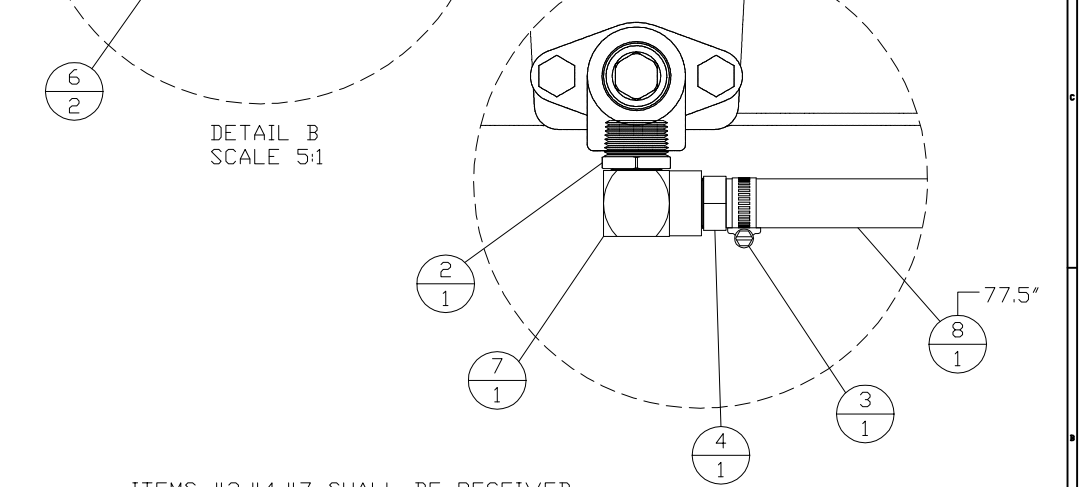


STREET SIDE VIEW

ITEM	QTY.	PART NO. & DESCRIPTION
1	1	57C232-PLATE AS.
2	1	6B-9081-BUSHING PIPE REDUCING (75N.m)
3	4	5D-1026-CLAMP-HOSE (4.5N.m)
4	3	005-7898-CONNECTOR (30N.m)
5	2	9X-6772-STRAP-CABLE
6	2	108-5794-PLUG (3/4") (30N.m)
7	1	003-9163-ELBOW (3/4") (60N.m)
8	180 IN	103-2555-HOSE-BULK
9	4	254-3633-M8X1.25 BOLT FL. HD.
10	4	5C-7261-M8X1.25 NUT
11	4	8T-4224-WASHER-FLAT



DETAIL B SCALE 5:1



DETAIL A SCALE 5:1

ITEMS #2,#4,#7 SHALL BE RECEIVED IN ENGINE BUILD UP KIT AND INSTALLED ON ENGINE.

DATE BY	ALTORFER		ALTORFER POWER SYSTEMS		
	6315 W. FAUBER RD. BARTONVILLE, IL 61607		PHONE (309) 697-1234 FAX (309) 282-7546		
CHANGE NOTICE	THIS DOCUMENT CONTAINS PROPRIETARY INFORMATION OF ALTORFER, INC. WITHOUT THE WRITTEN PERMISSION OF ALTORFER, INC., ANY COPYING OR OTHER USE EXCEPT THAT FOR WHICH IT WAS INTENDED IS PROHIBITED				
	ALL DIMENSIONS IN INCHES UNLESS OTHERWISE SPECIFIED	FILE DF\81A	PROJECT REFERENCE APS1000A		
	TOLERANCES: X.X ± 0.100 X.XX ± 0.050 X.XXX ± 0.005	THIRD ANGLE PROJECTION	SCALE/SHEET SIZE 1=10/D	DRAWN BY JAM	QUOTE NUMBER -
	ANGULAR ± 1°		SHEET 1 OF 1	DATE 01-14-15	WORK ORDER NUMBER -
TITLE	ENGINE OIL & COOLANT DRAINS GROUP			DRAWING NUMBER 81A511-00	