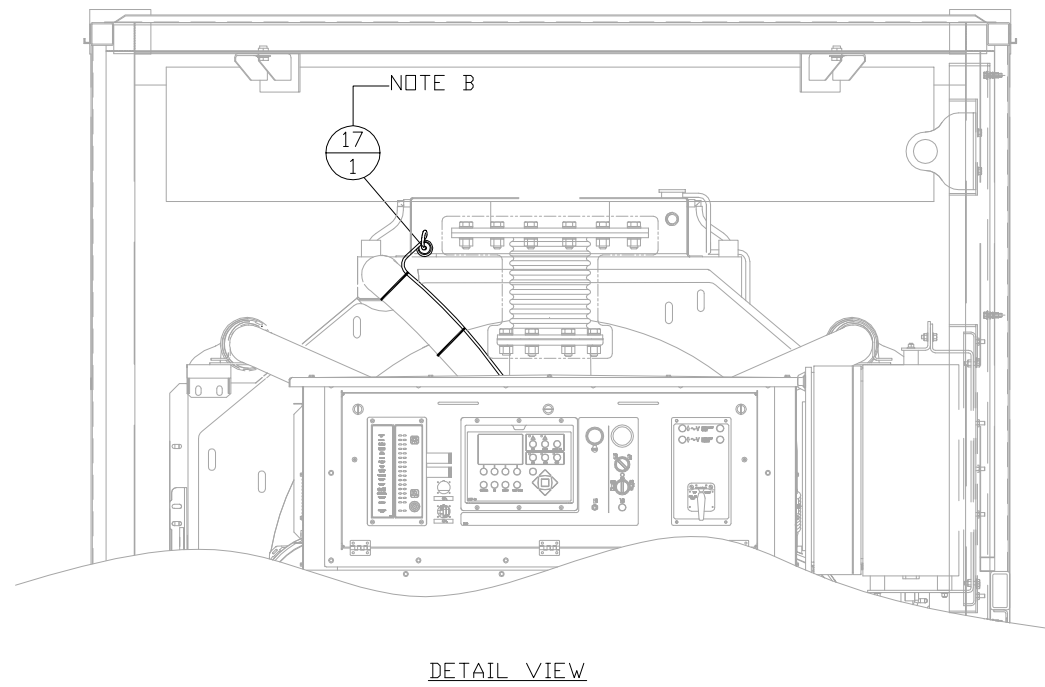
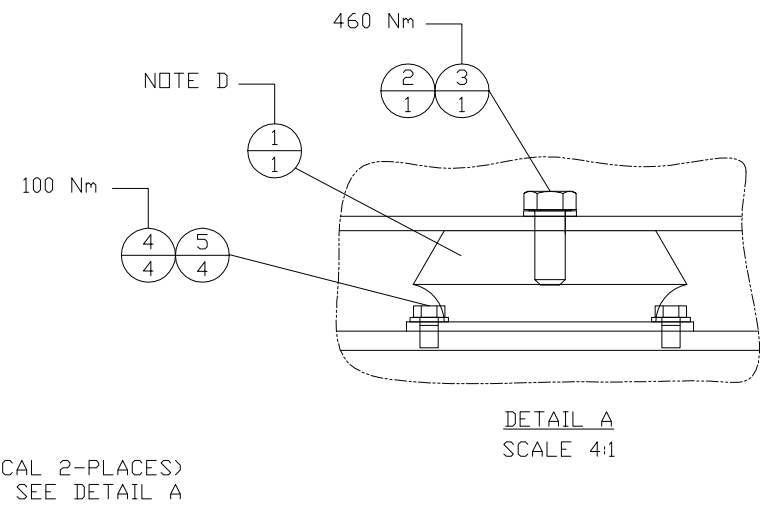
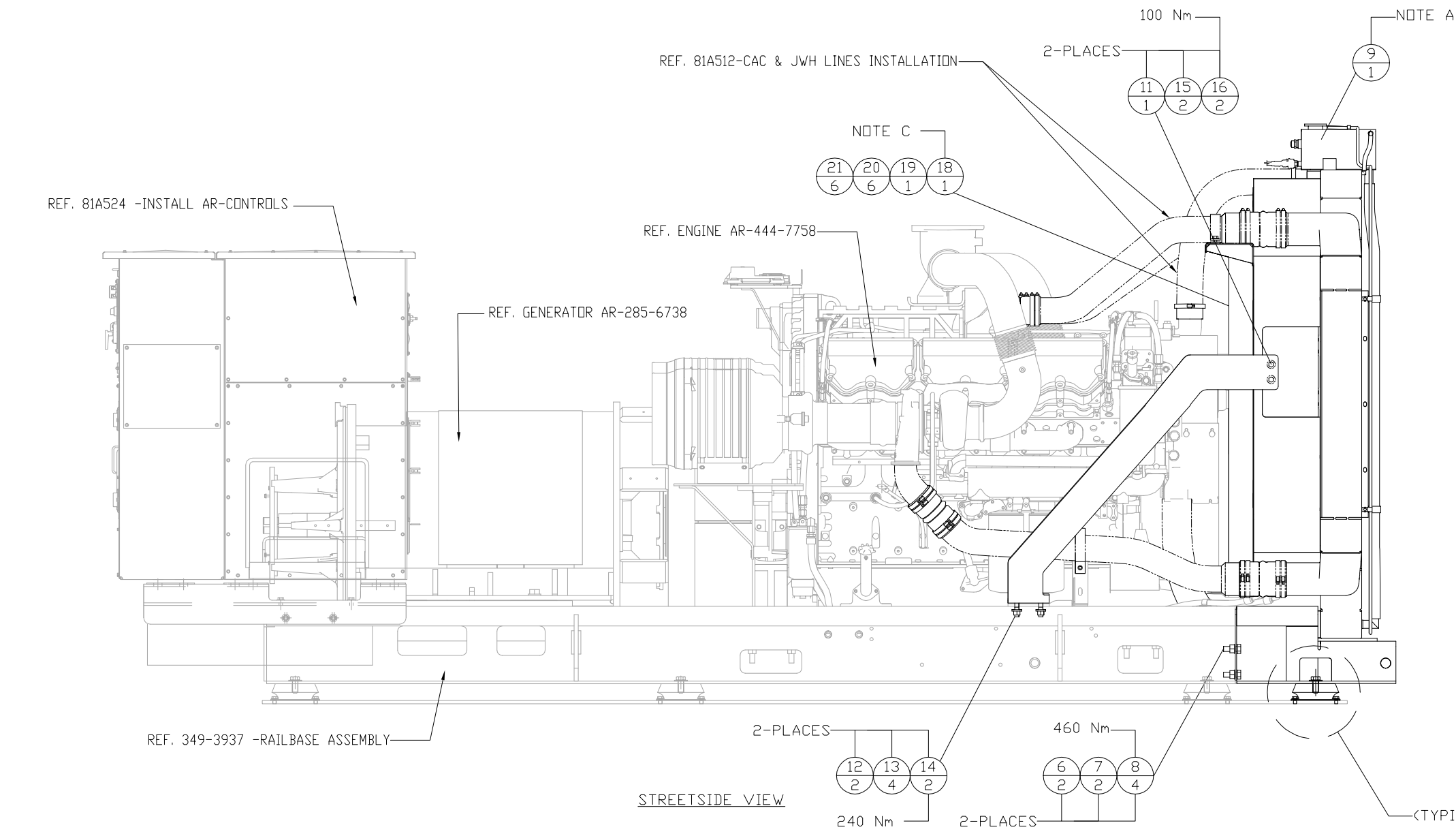


ITEM	QTY.	PART NO. & DESCRIPTION
1	2	308-4542 - ISOLATOR-MOUNTING
2	2	8T-5439 - WASHER
3	2	8T-6430 - BOLT-M20X2.5
4	8	8T-4179 - BOLT-M12X1.75
5	8	5P-1076 - WASHER-HARD
6	2	8T-4187 - BOLT-HEX HD. M20X2.5
7	2	8T-4131 - NUT-HEX M20X2.5
8	8	8T-4123 - WASHER-HARD
9	1	3810.059.0000-AGK RADIATOR W/ 61" FAN SHRD.
10	1	336-7174-BRACE AS.-LH
11	1	336-7173-BRACE AS.-RH
12	4	8T-4132-NUT-HEX HD. M16X2.0
13	8	3E-9411-WASHER-HARD
14	4	7X-2554-BOLT-M16X2.0
15	4	7X-0550-WASHER-HARD
16	4	8T-4184-BOLT-M12X1.75
17	1	371-0872-SENSOR GP-LEVEL (COOLANT)
18	1	338-8901-FAN GUARD GROUP
19	1	356-4971-FAN AS.-RADIATOR
20	6	8T-4223-WASHER-HARD
21	6	8T-8919-BOLT-1/2"-13THD



- NOTE A: AKG RADIATOR PURCHASED FROM QUOTE# ASJ0703141459
- NOTE B: USE THIS 1/4" NPT PORT TO INSTALL COOLANT LEVEL SENSOR GP. ROUTE HARNESS TO WATER PUMP HARNESS TERM. PLUG.
- NOTE C: REF. 338-8901-03 FOR FAN GUARD KIT INSTALLATION DETAILS. CONNECT SENSOR HARNESS TO ENGINE HARNESS.
- NOTE D: ITEMS 1,2,3,4,5 SHALL BE RECEIVED IN GENSET BUILDUP KIT.

DATE BY		<b>ALTORFER</b>		<b>ALTORFER POWER SYSTEMS</b>	
		6315 W. FAUBER RD. PHONE (309) 697-1234		BARTONVILLE, IL 61607 FAX (309) 282-7546	
THIS DOCUMENT CONTAINS PROPRIETARY INFORMATION OF ALTORFER, INC. WITHOUT THE WRITTEN PERMISSION OF ALTORFER, INC., ANY COPYING OR OTHER USE EXCEPT THAT FOR WHICH IT WAS INTENDED IS PROHIBITED					
CHANGE NOTICE		ALL DIMENSIONS IN INCHES UNLESS OTHERWISE SPECIFIED	FILE DF\81A	PROJECT REFERENCE APS1000A	
TOLERANCES:	THIRD ANGLE PROJECTION	SCALE/SHEET SIZE	DRAWN BY	QUOTE NUMBER	
X.X ± 0.100	1	1=10/D	JAM	-	
X.XX ± 0.060		SHEET	DATE	WORK ORDER NUMBER	
X.XXX ± 0.005		1 OF 1	09-22-14	-	
ANGULAR ± 1°				DRAWING NUMBER	
TITLE				DRAWING NUMBER	
RADIATOR MOUNTING GROUP				81A507-00	