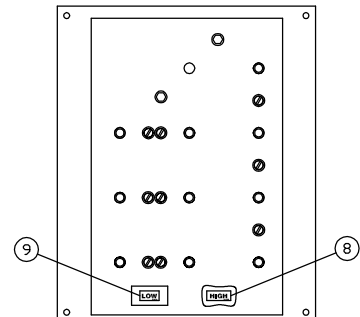
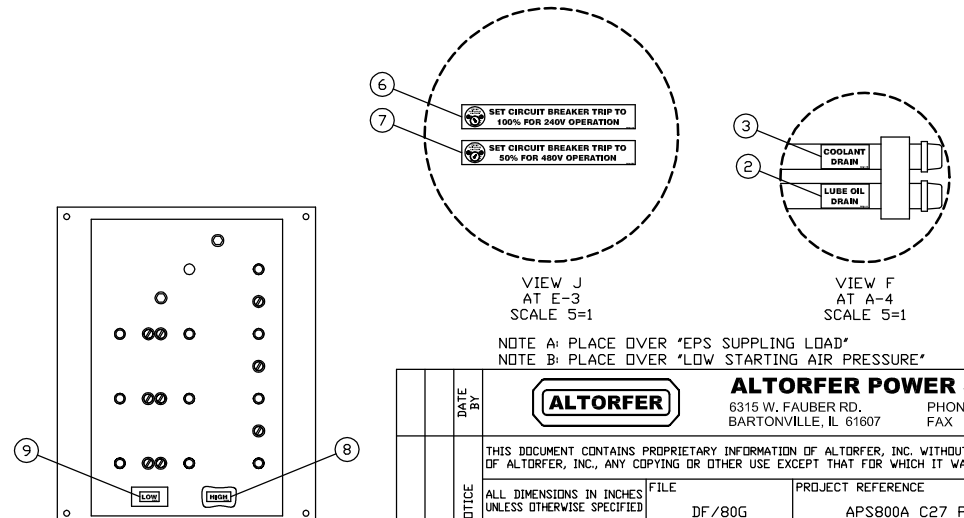
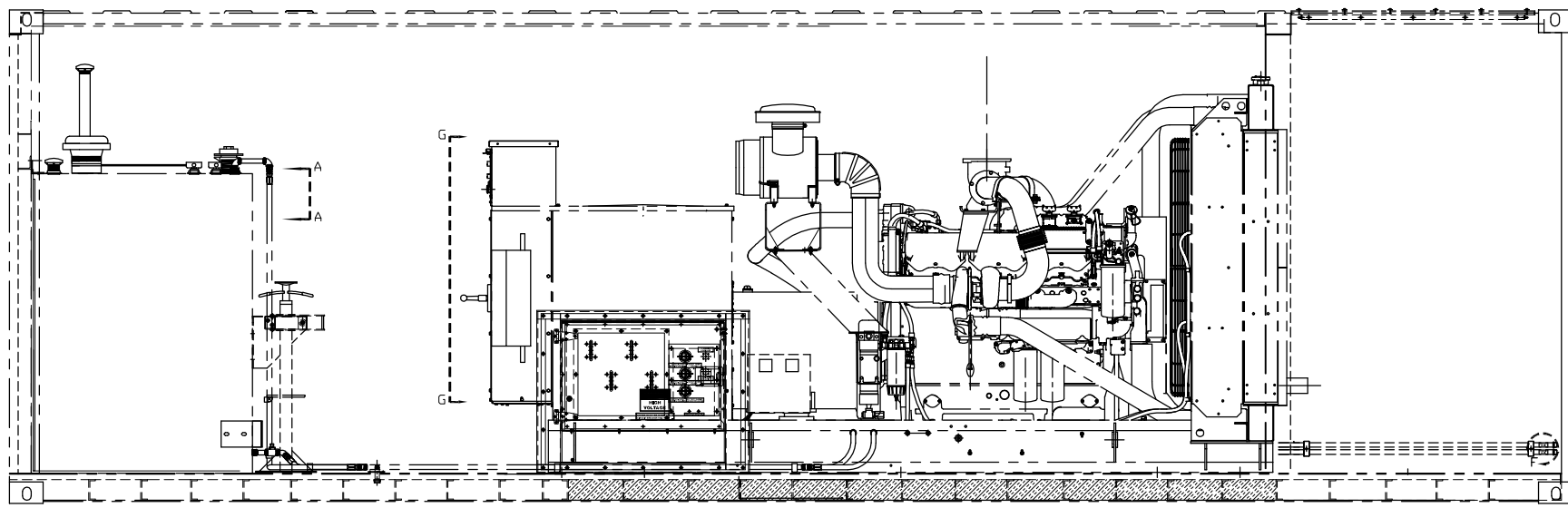
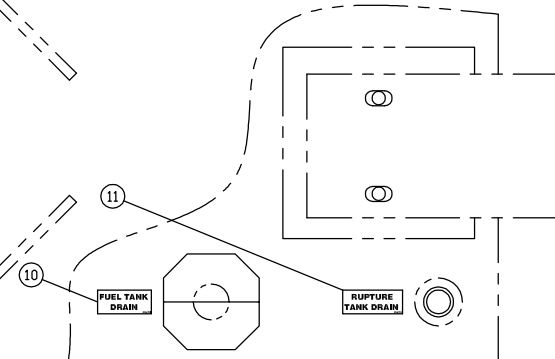
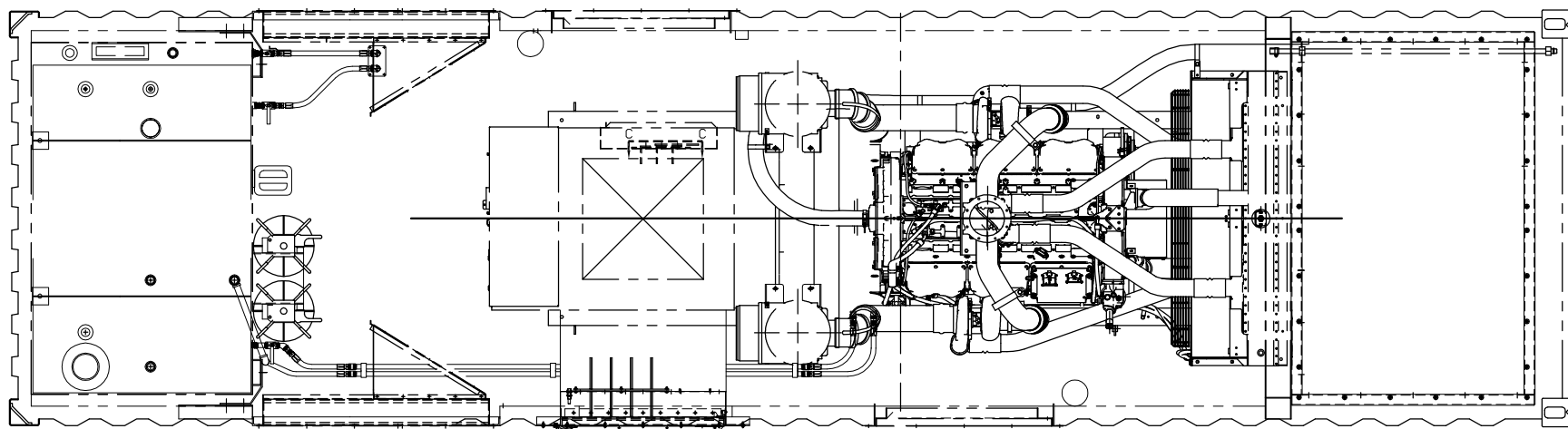


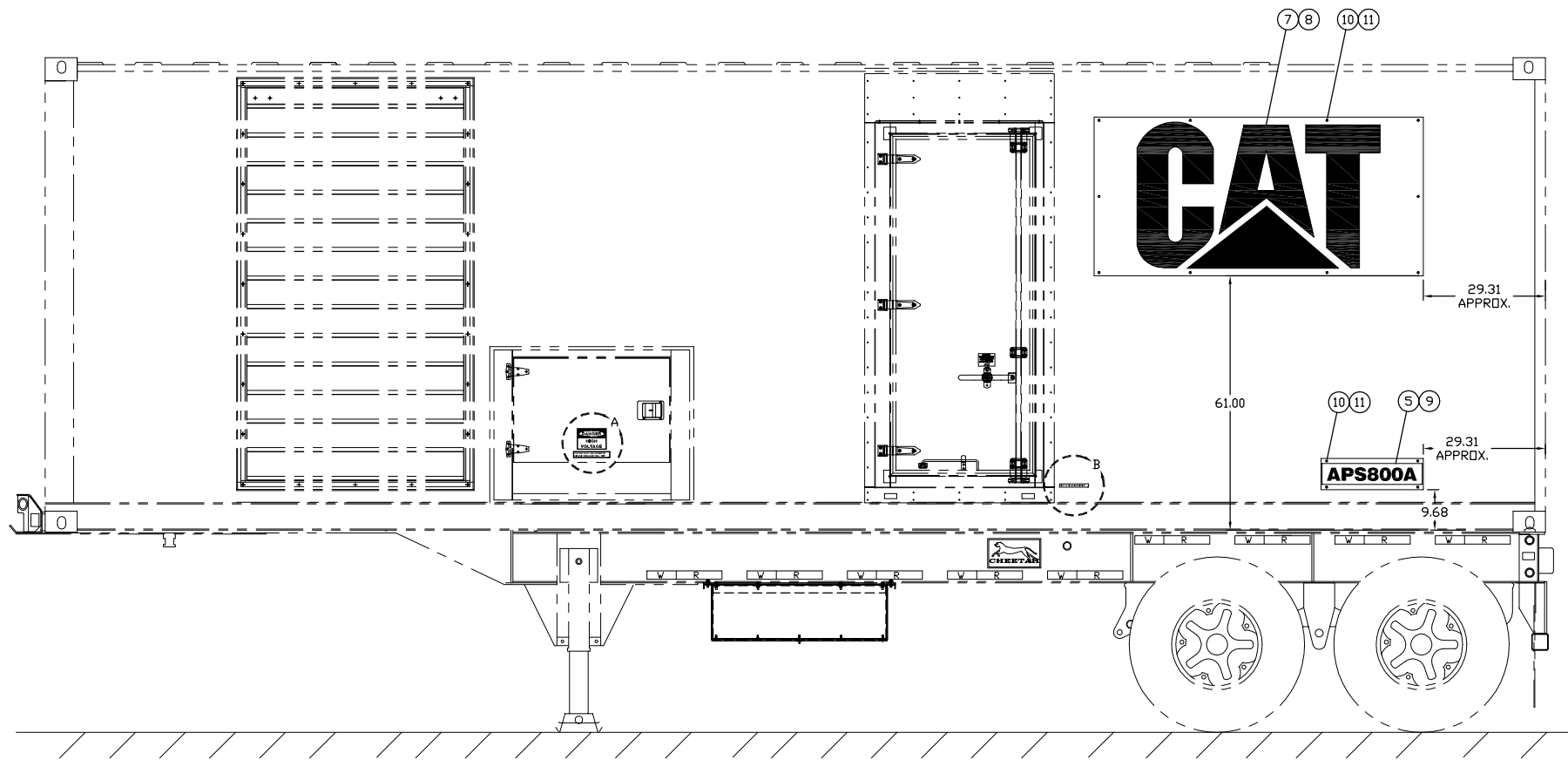
ITEM	QTY.	PART NO.	DESCRIPTION
1	1	80G109	INFORMATIONAL FILM
2	1	80G111	INFORMATIONAL FILM
3	1	80G112	INFORMATIONAL FILM
4	1	80G136	INFORMATIONAL FILM
5	1	80G118	INFORMATIONAL FILM
6	1	80G119	INFORMATIONAL FILM
7	1	80G120	INFORMATIONAL FILM
8	1	80G123	INFORMATIONAL FILM
9	1	80G124	INFORMATIONAL FILM
10	1	80G125	INFORMATIONAL FILM
11	1	80G126	INFORMATIONAL FILM
12	1	80G140	INFORMATIONAL FILM
13	1	80G130	INFORMATIONAL FILM



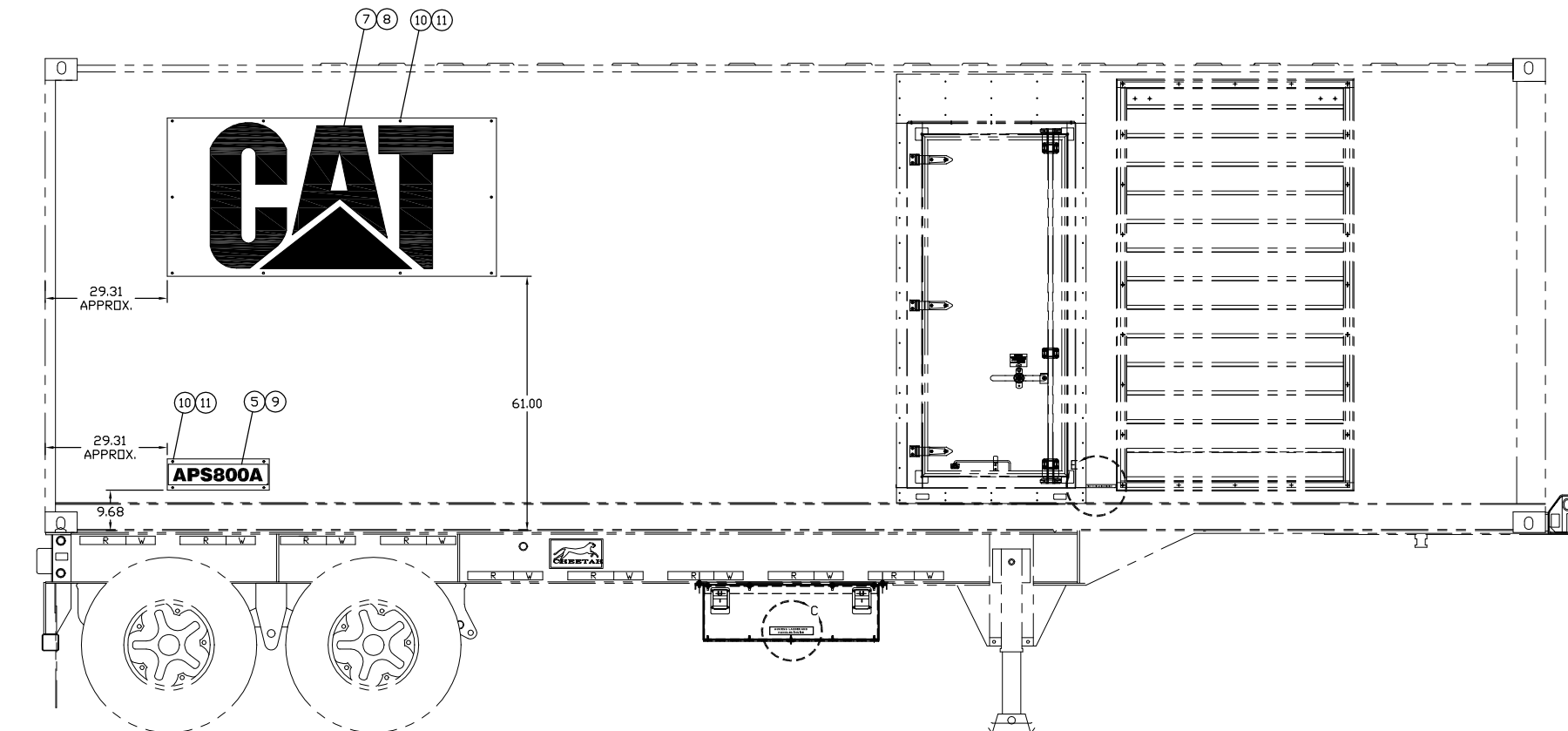
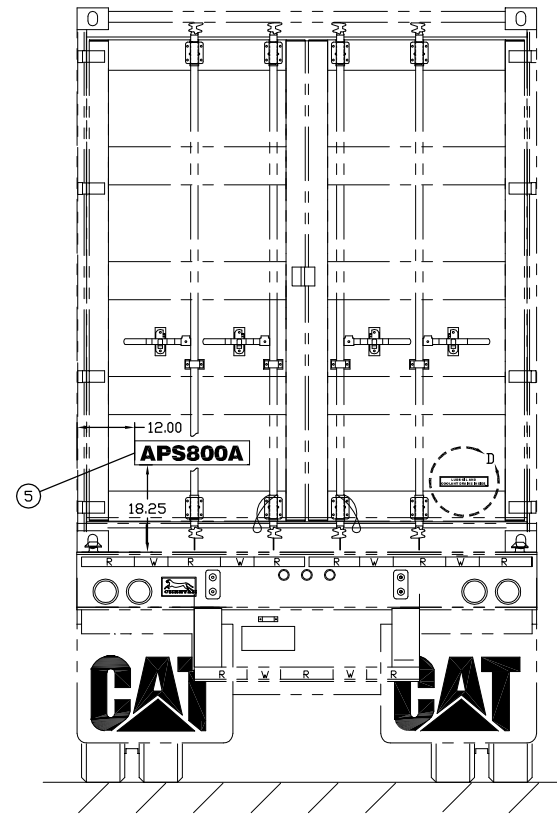
NOTE A: PLACE OVER 'EPS SUPPLYING LOAD'
NOTE B: PLACE OVER 'LOW STARTING AIR PRESSURE'

ALTORFER
6315 W. FAUBER RD. PHONE (309) 697-1234
BARTONVILLE, IL 61607 FAX (309) 282-7546

CHANGE NOTICE	DATE BY	FILE	PROJECT REFERENCE
		DF/80G	APS800A C27 POWER MODULE
	TOLERANCES: XX ± 0.100 XXX ± 0.060 XXXX ± 0.005	THIRD ANGLE PROJECTION	SCALE/SHEET SIZE 1=20/D
	ANGULAR ± 1°	SHEET	DRAWN BY D. RICHARDSON
TITLE	FILM GROUP	DATE	WORK ORDER NUMBER
	INTERIOR FILM GROUP	7/27/06	
			DRAWING NUMBER
			80G137

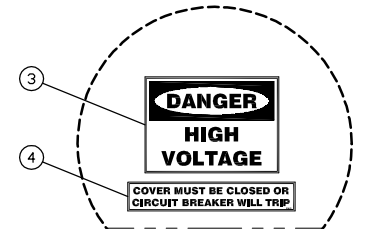


LEFT SIDE VIEW OF CONTAINER

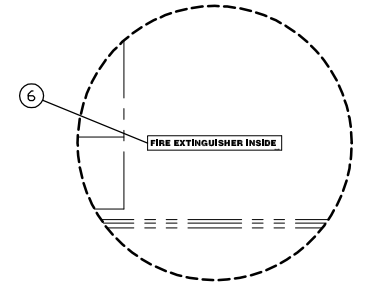


RIGHT SIDE VIEW OF CONTAINER

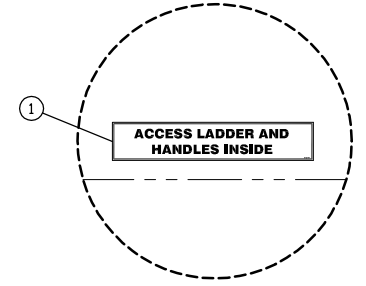
ITEM	QTY.	PART NO.	DESCRIPTION
1	1	8IG104	INFORMATIONAL FILM
2	1	80G105	INFORMATIONAL FILM
3	1	80G106	INFORMATIONAL FILM
4	1	80G107	INFORMATIONAL FILM
5	3	80G138	INFORMATIONAL FILM
6	2	80G121	INFORMATIONAL FILM
7	2	7E-7799	FILM-TRADEMARK
8	2	80C192	14 GA. 38.00 X 79.00
9	2	80C193	14 GA. 7.50 X 24.50
10	28	30840	PSQ SMS 14X1 Z A KEG
11	28	N1125257	1/4" NEOPRENE WASHER



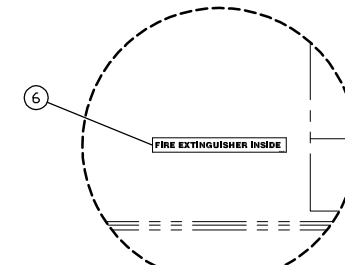
VIEW A
AT E-6
SCALE 4=1



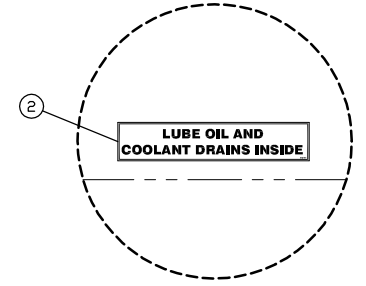
VIEW B
AT E-5
SCALE 4=1



VIEW C
AT E-2
SCALE 4=1



VIEW E
AT B-6
SCALE 4=1



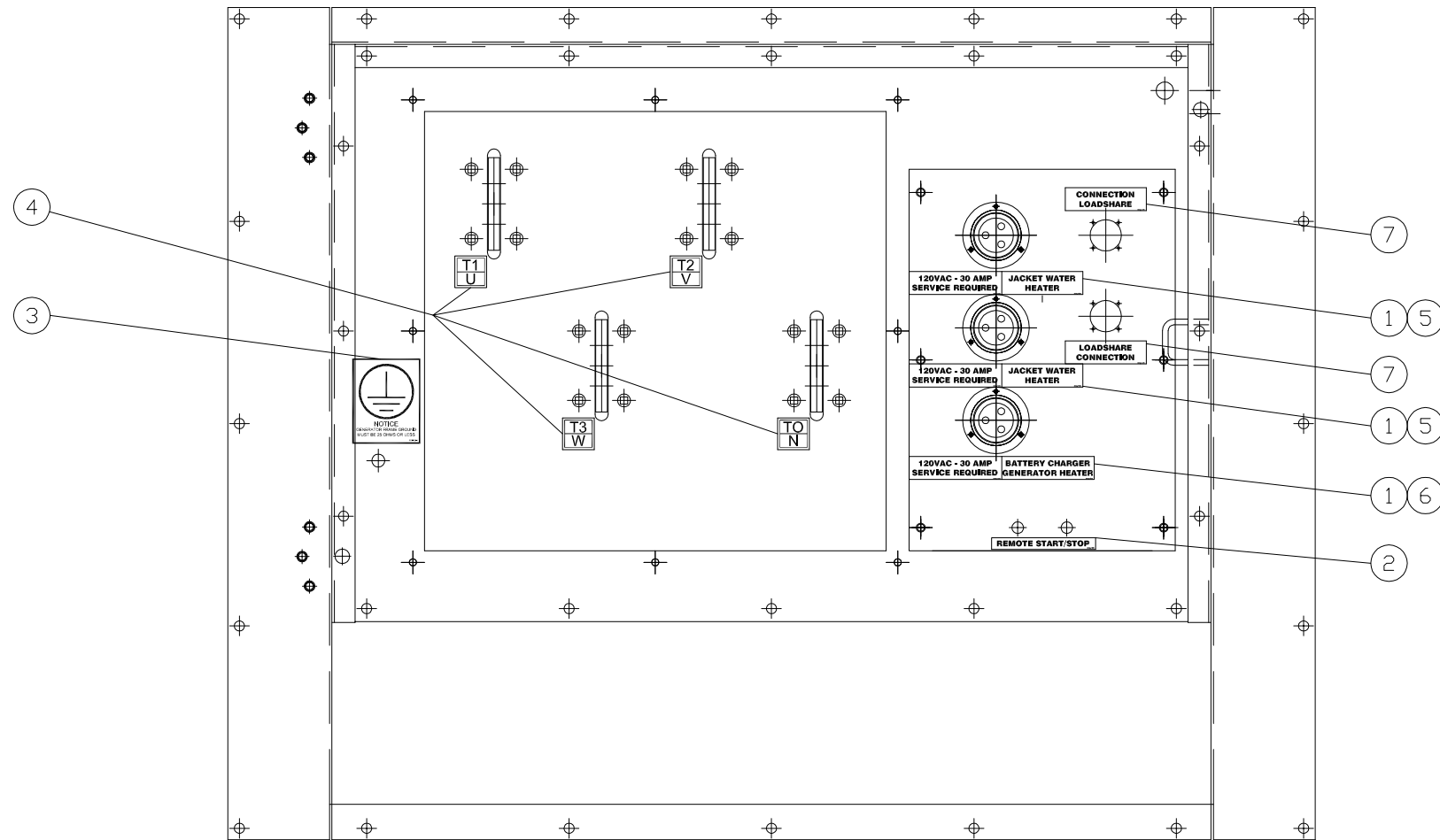
VIEW D
AT E-2
SCALE 4=1


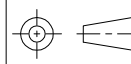
DATE BY		ALTORFER		ALTORFER POWER SYSTEMS		
		6315 W. FAUBER RD.		PHONE (309) 697-1234		
		BARTONVILLE, IL 61607		FAX (309) 282-7546		
CHANGE NOTICE	1	THIS DOCUMENT CONTAINS PROPRIETARY INFORMATION OF ALTORFER, INC. WITHOUT THE WRITTEN PERMISSION OF ALTORFER, INC., ANY COPYING OR OTHER USE EXCEPT THAT FOR WHICH IT WAS INTENDED IS PROHIBITED		PROJECT REFERENCE		
	2	ALL DIMENSIONS IN INCHES UNLESS OTHERWISE SPECIFIED	FILE DF/80G	APS800A C27 POWER MODULE		
	3	TOLERANCES: X.X ± 0.100 X.XX ± 0.060 X.XXX ± 0.005	THIRD ANGLE PROJECTION	SCALE/SHEET SIZE 1=20/D	DRAWN BY D. RICHARDSON	QUOTE NUMBER
	4	ANGULAR ± 1°	SHEET 1 OF 1	DATE 7/27/06	WORK ORDER NUMBER	
TITLE		FILM GROUP EXTERIOR FILM GROUP		DRAWING NUMBER 80G139		

INCH

80G142

ITEM	QTY.	PART NO.	DESCRIPTION
1	3	80G108	INFORMATIONAL FILM
2	1	80G122	INFORMATIONAL FILM
3	1	4W-5138	FILM-SYMBOL
4	1	9Y-4275	FILM
5	2	80G128	INFORMATIONAL FILM
6	1	80G129	INFORMATIONAL FILM
7	2	80G143	INFORMATIONAL FILM



		ALTORFER POWER SYSTEMS 6315 W. FAUBER RD. PHONE (309) 697-1234 BARTONVILLE, IL 61607 FAX (309) 282-7546		
THIS DOCUMENT CONTAINS PROPRIETARY INFORMATION OF ALTORFER, INC. WITHOUT THE WRITTEN PERMISSION OF ALTORFER, INC., ANY COPYING OR OTHER USE EXCEPT THAT FOR WHICH IT WAS INTENDED IS PROHIBITED				
CHANGE NOTICE	ALL DIMENSIONS IN INCHES UNLESS OTHERWISE SPECIFIED		FILE DF/80G	PROJECT REFERENCE C27/C32 POWER MODULE
	TOLERANCES: X.X ± 0.100 X.XX ± 0.060 X.XXX ± 0.005	THIRD ANGLE PROJECTION	SCALE/SHEET SIZE 1=10/A	DRAWN BY D. RICHARDSON
	ANGULAR ± 1°		SHEET 1 OF 1	DATE 12/6/06
	TITLE LOAD PAN FILM GROUP			QUOTE NUMBER WORK ORDER NUMBER DRAWING NUMBER 80G142
2	1	NO.		