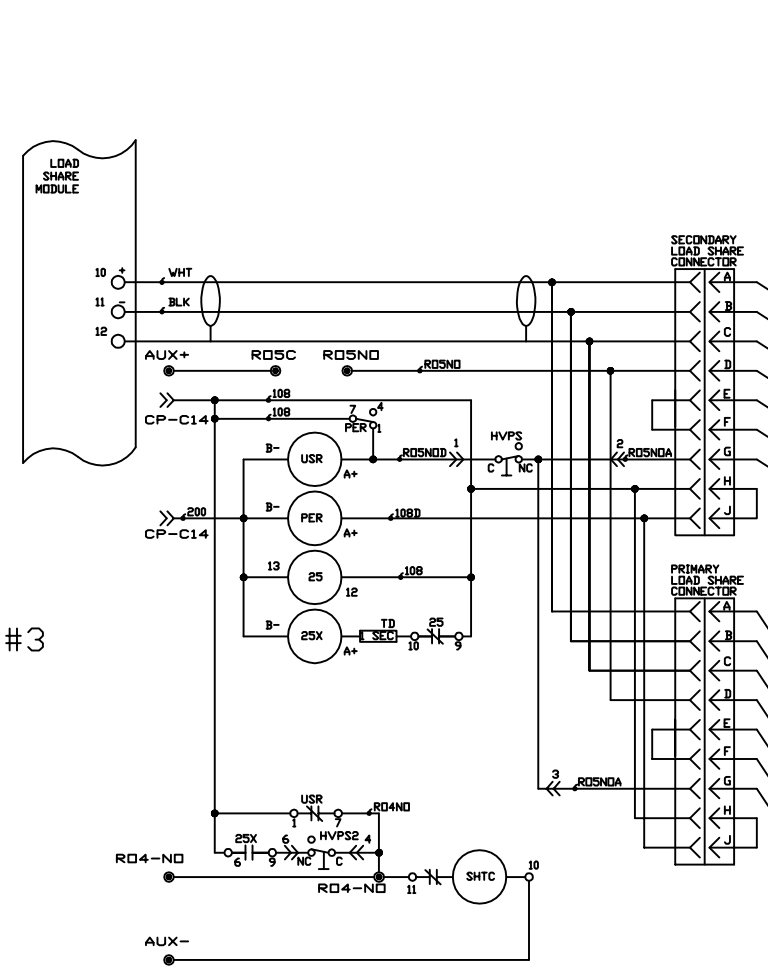
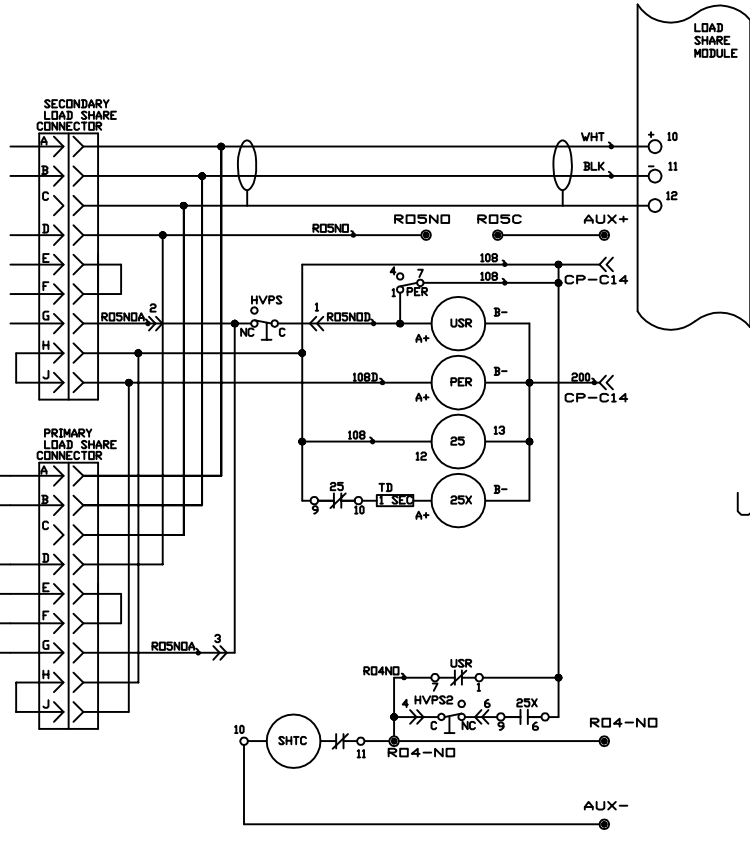


UNIT #3



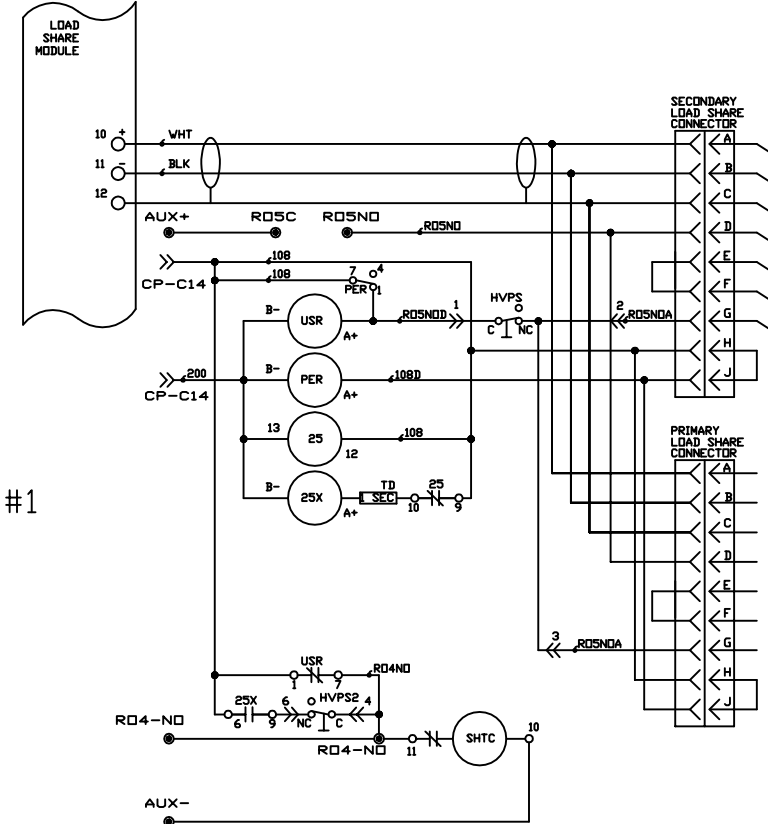
UMBILICAL #3

UNIT #4



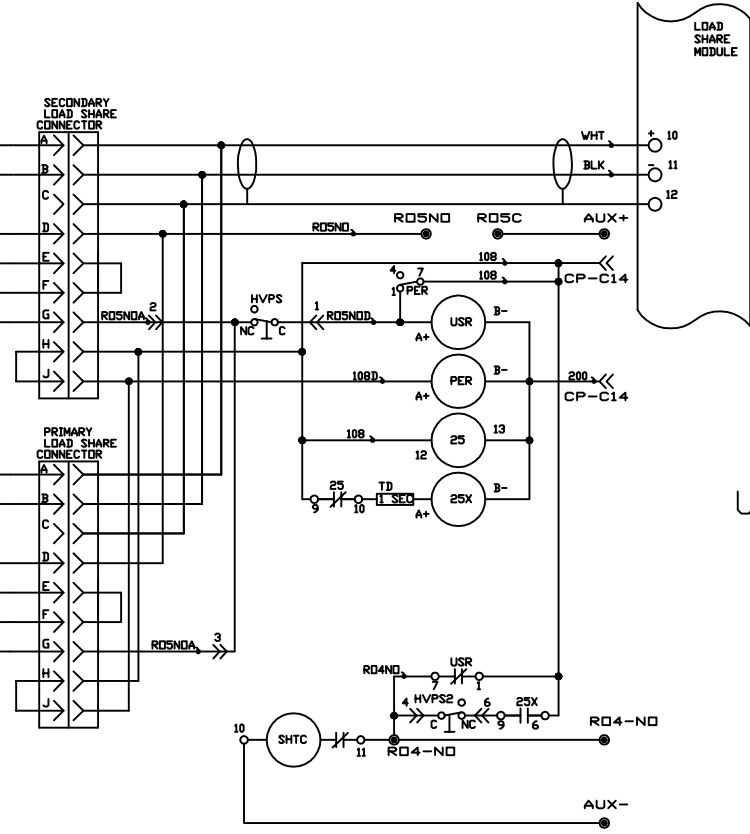
UMBILICAL #2

UNIT #1



UMBILICAL #1

UNIT #2



25 - PARALLELING RELAY
 PER - PARALLEL ENABLE RELAY
 USR - UMBILICAL SAFETY RELAY

FOR USE WITH DUAL VOLTAGE ARRANGEMENT
 ????????? CUTLER HAMMER BREAKER - MDS6323HEA ????????

		ALTORFER POWER SYSTEMS 6315 W. FAUBER RD. PHONE (309) 697-1234 BARTONVILLE, IL 61607 FAX (309) 282-7546	
12/25/00 DATE	FILE	PROJECT REFERENCE	
1 CORRECT EXX 6/9 CONTACT	DF\80E	AFS800B C27 POWER MODULE	
CHANGE NOTICE	ALL DIMENSIONS IN INCHES UNLESS OTHERWISE SPECIFIED	SCALE/SHEET SIZE THIRD ANGLE PROJECTION SHEET	DRAWN BY D. RICHARDSON DATE 10/2/08
1 DATE	TOLERANCES: XXX ± 0.100 XXXX ± 0.050 XXXX ± 0.005 ANGULAR ± 1°	1 OF 1	QUOTE NUMBER WORK ORDER NUMBER DRAWING NUMBER 80E194_01
TITLE PARALLELING INTERCONNECT DIAGRAM (240/480 VOLTS)		LOADSHARE GROUP	