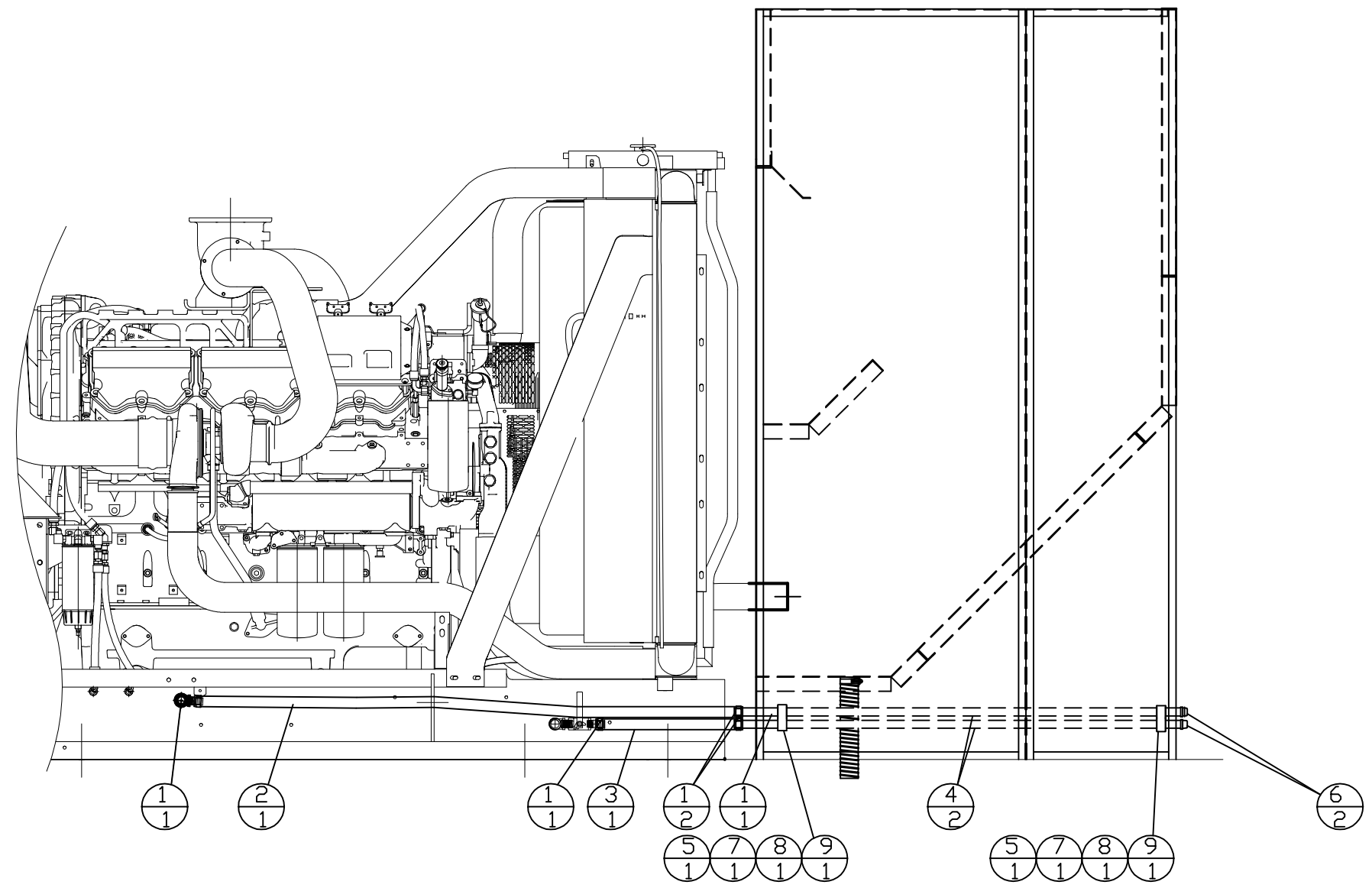


ITEM	QTY.	DESCRIPTION
1	4	2S3440 CLAMP - HOSE
2	1	80B208 HOSE -1'
3	1	80B212 HOSE -1'
4	2	80B209 PIPE - BLACK 3/4
5	2	3252T12 CLAMP - VIBRATION
6	2	8656 CAP (PIPE) 3/4
7	2	65023 BOLT 5/16-18x2-1/2
8	2	502 WASHER FLAT 5/16
9	2	529 WASHER LOCK 5/16



DATE BY	ALTORFER				
	6315 W. FAUBER RD. BARTONVILLE, IL 61607		PHONE (309) 697-1234 FAX (309) 282-7546		
CHANGE NOTICE	THIS DOCUMENT CONTAINS PROPRIETARY INFORMATION OF ALTORFER, INC. WITHOUT THE WRITTEN PERMISSION OF ALTORFER, INC., ANY COPYING OR OTHER USE EXCEPT THAT FOR WHICH IT WAS INTENDED IS PROHIBITED				
	ALL DIMENSIONS IN INCHES UNLESS OTHERWISE SPECIFIED	FILE DF\80A	PROJECT REFERENCE APS800B C27 POWER MODULE		
	TOLERANCES: X.X ± 0.100 X.XX ± 0.060 X.XXX ± 0.005	THIRD ANGLE PROJECTION	SCALE/SHEET SIZE 1=10/D	DRAWN BY D. RICHARDSON	QUOTE NUMBER
	ANGULAR ± 1°		SHEET 1 OF 1	DATE 10/3/08	WORK ORDER NUMBER
NO.	TITLE OIL/WATER DRAIN GROUP ASSEMBLY DETAIL			DRAWING NUMBER 80A837	