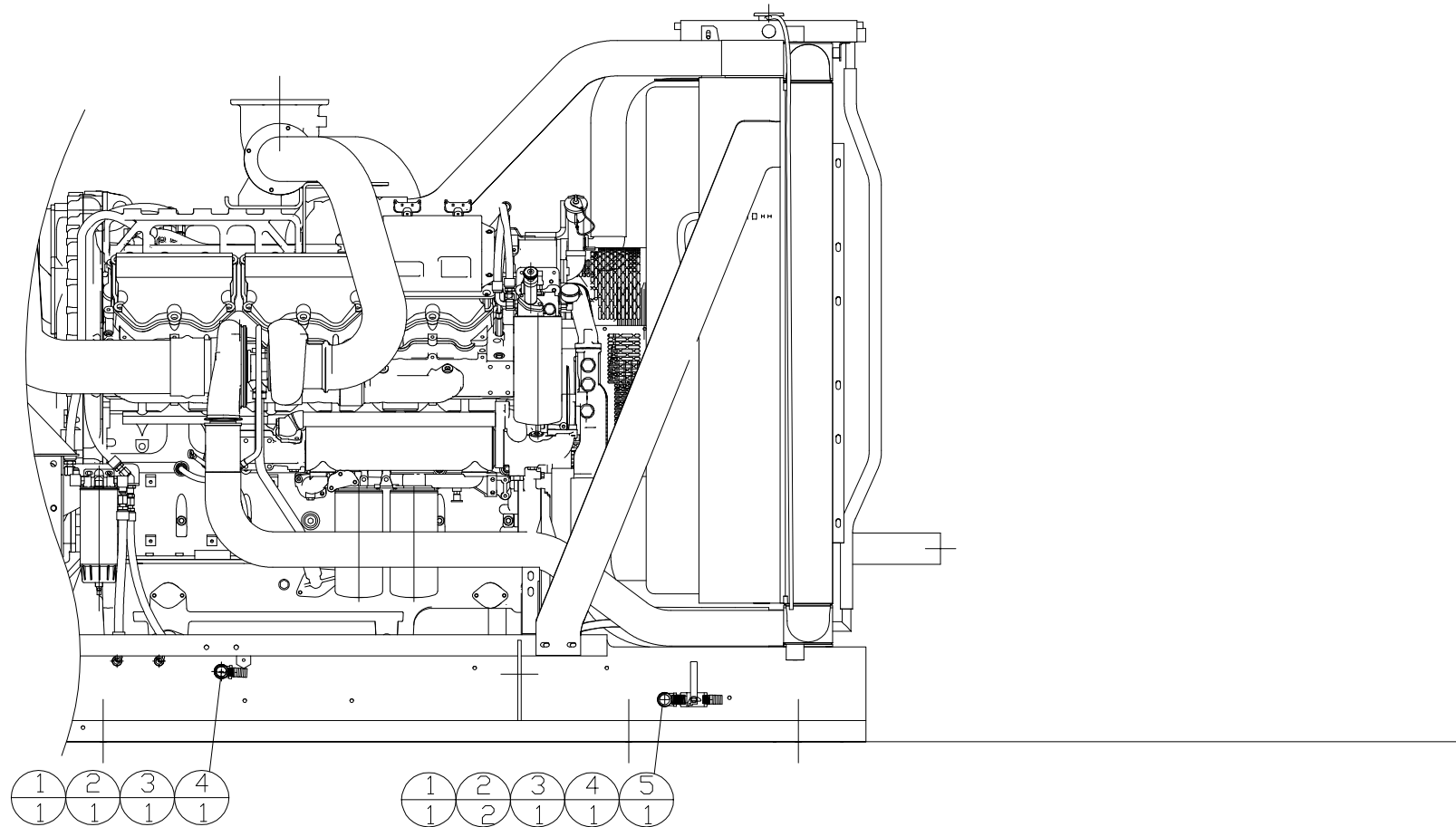


ITEM	QTY.	DESCRIPTION
1	2	8668 BUSHING - HEX 1x3/4
2	3	8716 NIPPLE - 3/4xCLOSE
3	2	8604 ELBOW 90° 3/4
4	2	5346K69 BARBED HOSE NIPPLE
5	1	PBBV34 VALVE - BALL 3/4"



DATE BY	ALTORFER				
	6315 W. FAUBER RD. BARTONVILLE, IL 61607		PHONE (309) 697-1234 FAX (309) 282-7546		
CHANGE NOTICE	THIS DOCUMENT CONTAINS PROPRIETARY INFORMATION OF ALTORFER, INC. WITHOUT THE WRITTEN PERMISSION OF ALTORFER, INC., ANY COPYING OR OTHER USE EXCEPT THAT FOR WHICH IT WAS INTENDED IS PROHIBITED				
	ALL DIMENSIONS IN INCHES UNLESS OTHERWISE SPECIFIED	FILE DF\80A	PROJECT REFERENCE APS800B C27 POWER MODULE		
	TOLERANCES: X.X ± 0.100 X.XX ± 0.060 X.XXX ± 0.005	THIRD ANGLE PROJECTION	SCALE/SHEET SIZE 1=10/D	DRAWN BY D. RICHARDSON	QUOTE NUMBER
	ANGULAR ± 1°		SHEET 1 OF 1	DATE 10/3/08	WORK ORDER NUMBER
NO.	TITLE OIL/WATER DRAIN GROUP ENGINE CONNECTION GROUP	DRAWING NUMBER 80A835			