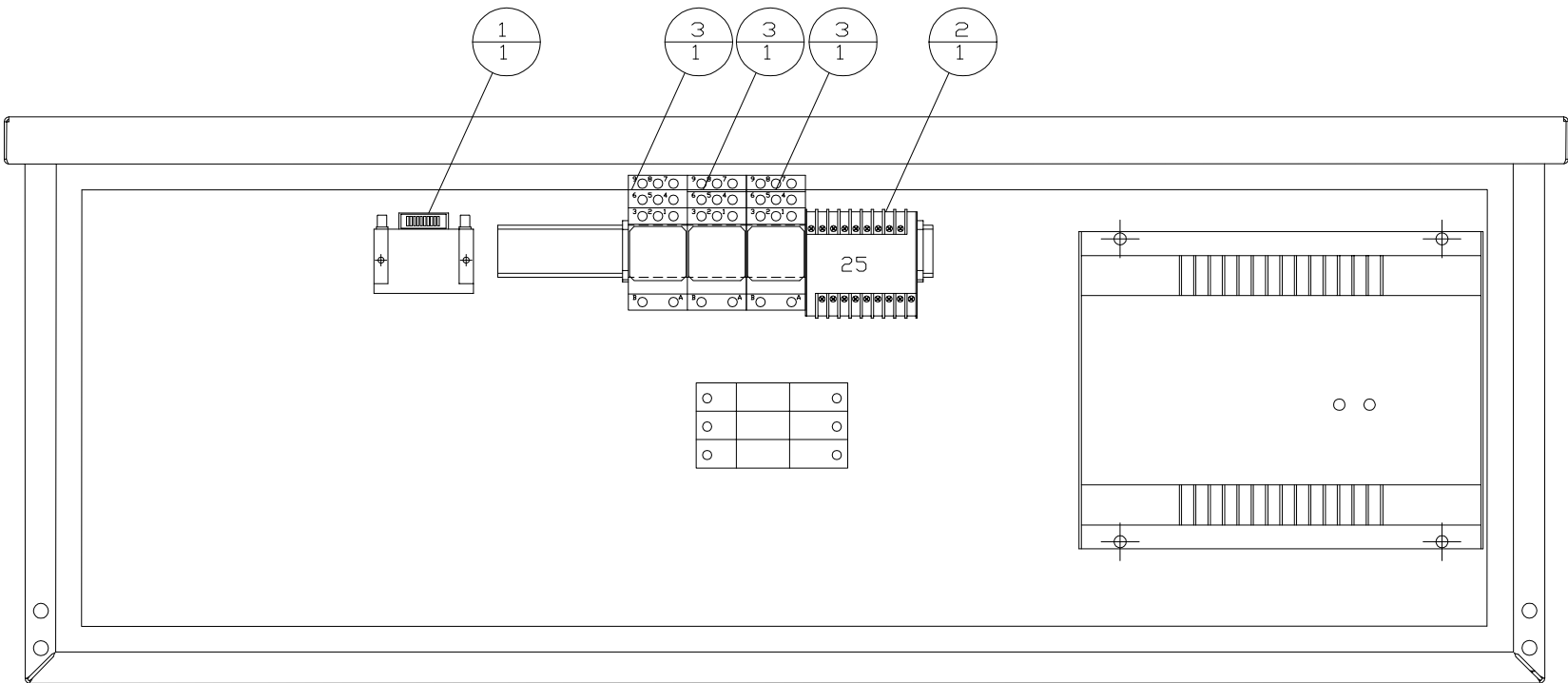
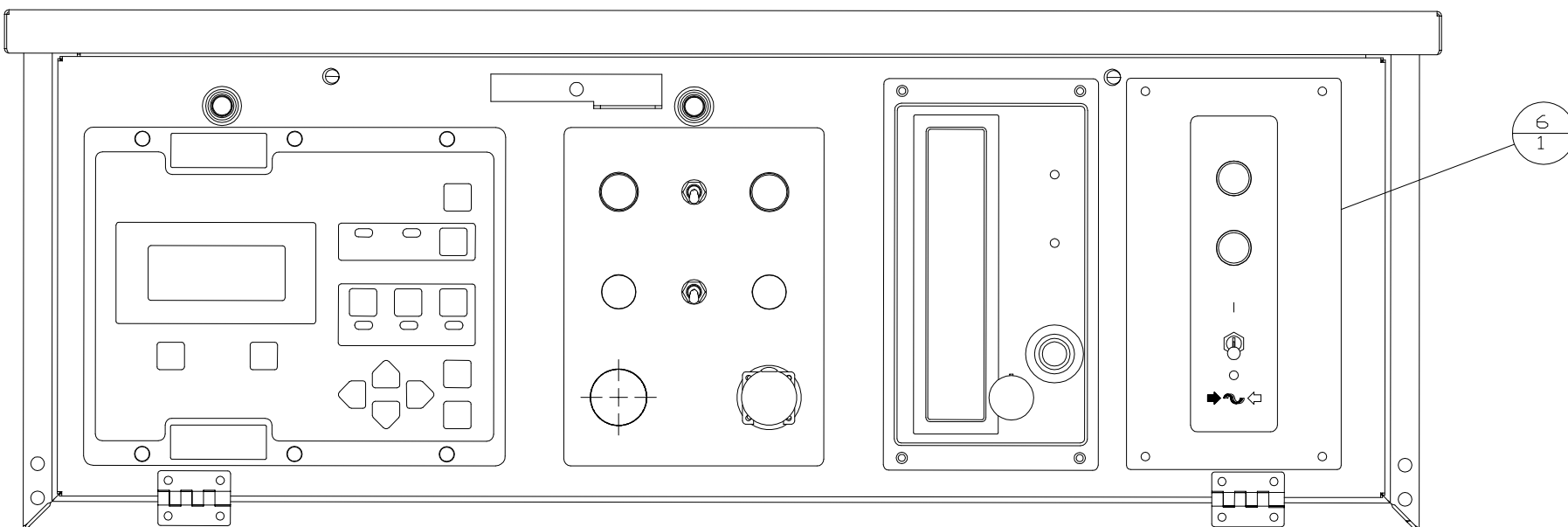


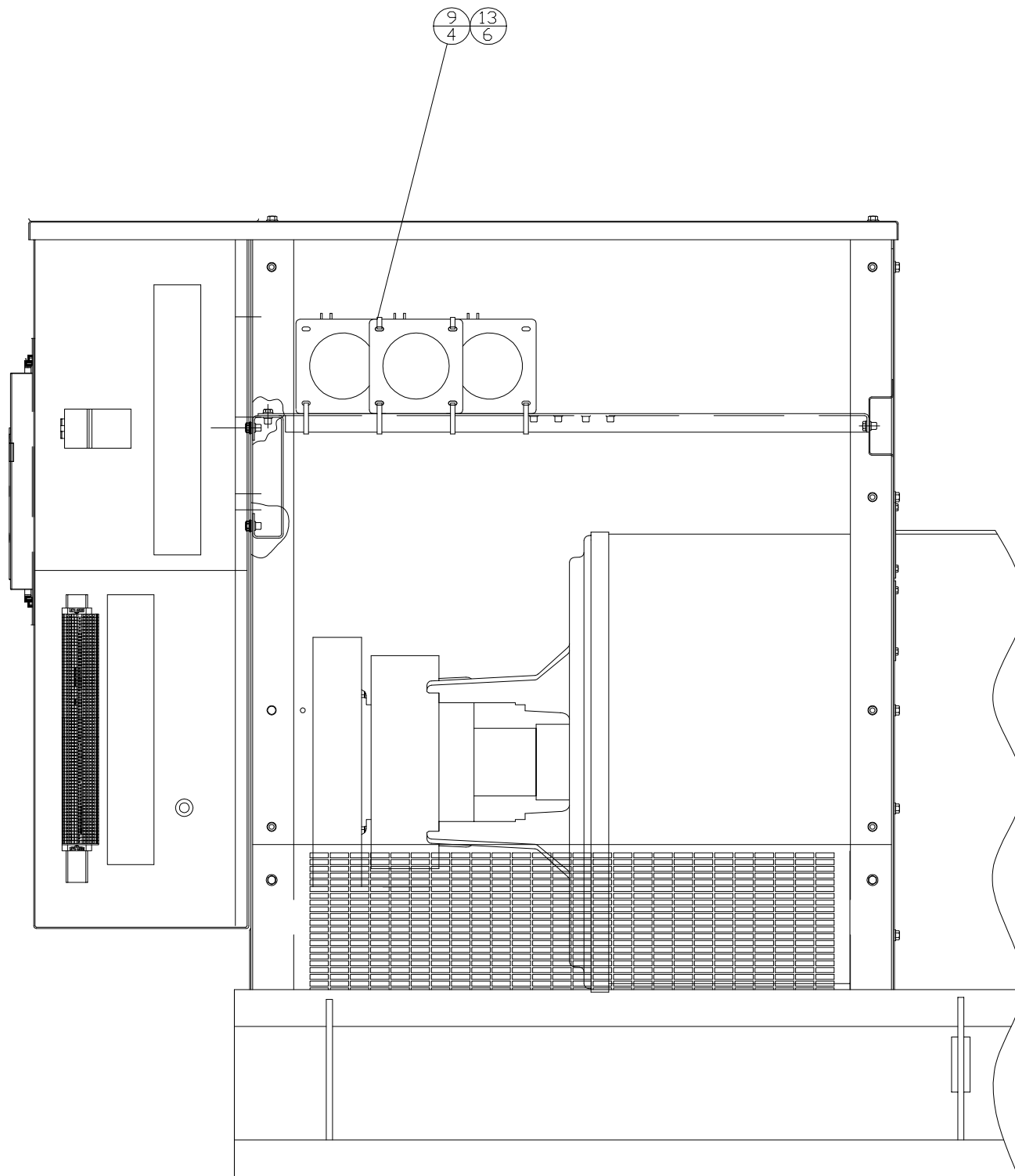
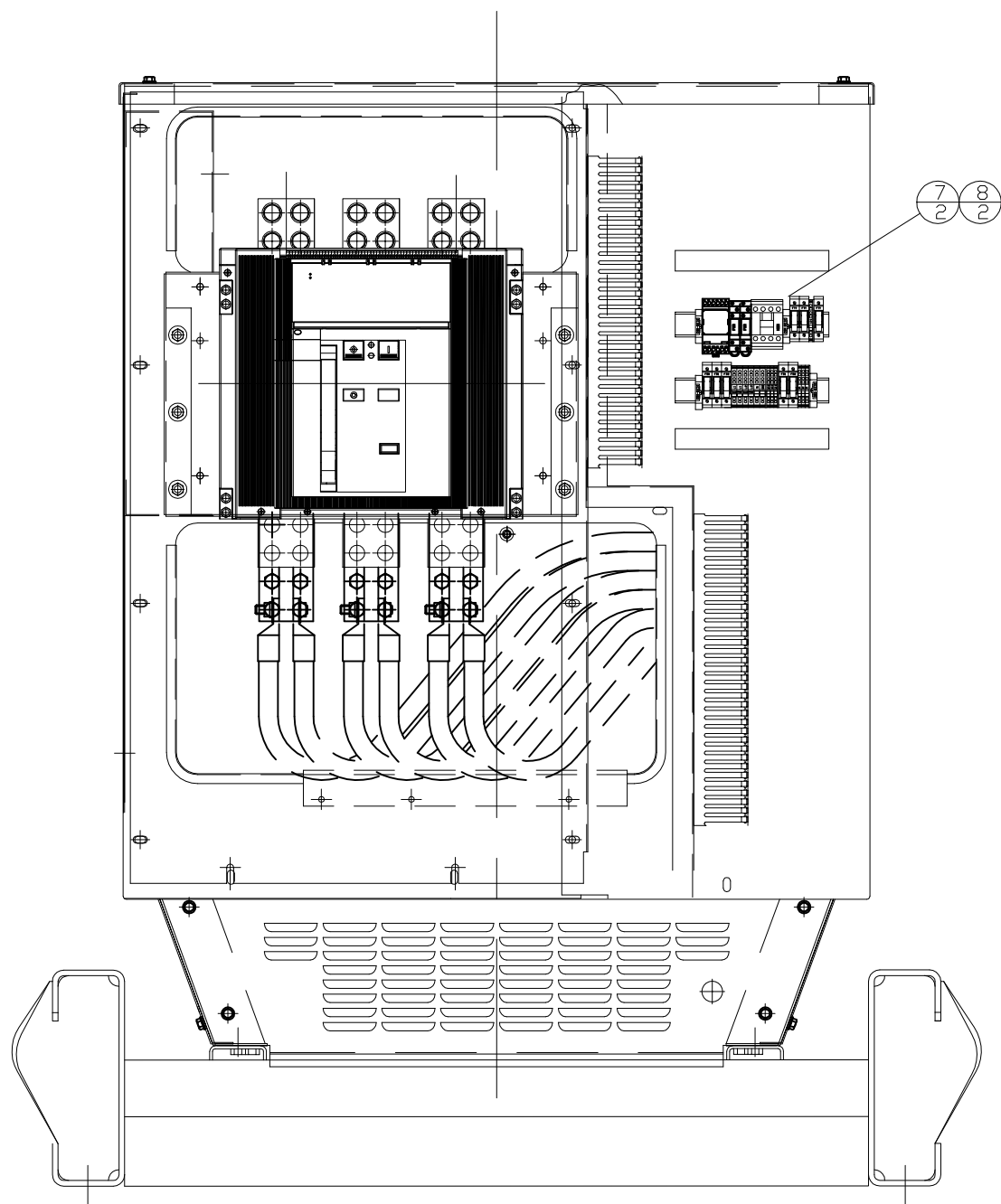
INCH 80A831



ITEM	QTY.	DESCRIPTION
1	1	USA-438 TIME DELAY
2	1	WD25-012 SYNCH CHECK RELAY
3	3	ERELAY RELAY 24VDC 3 POLE
4	1	80E200 DC LOAD SHARE HARNESS
5	1	80E201 AC LOADSHARE HARNESS
6	1	80E185 SYNCH MODULE AS.
7	2	1492-FB1M30 BLOCK - FUSE
8	2	EKTKR1 FUSE (BUSS) 1 AMP
9	4	122-6587 TRANSFORMER (CURRENT)
10	1	EWL34P LOOM (PLASTIC) 3/4"
11	1	EWL12P LOOM (PLASTIC) 1/2"
12	1	57E170-01 HARNESS - LOADSHARE XQ500
13	6	T250RBLK TYRAP



DATE BY		<b>ALTORFER POWER SYSTEMS</b> 6315 W. FAUBER RD. PHONE (309) 697-1234 BARTONVILLE, IL 61607 FAX (309) 282-7546			
				THIS DOCUMENT CONTAINS PROPRIETARY INFORMATION OF ALTORFER, INC. WITHOUT THE WRITTEN PERMISSION OF ALTORFER, INC., ANY COPYING OR OTHER USE EXCEPT THAT FOR WHICH IT WAS INTENDED IS PROHIBITED	
CHANGE NOTICE	1	ALL DIMENSIONS IN INCHES UNLESS OTHERWISE SPECIFIED	FILE DF\80A	PROJECT REFERENCE APS800B C27 POWER MODULE	
		TOLERANCES: XX ± 0.100 X.XX ± 0.060 X.XXX ± 0.005	THIRD ANGLE PROJECTION	SCALE/SHEET SIZE 1=5/B	DRAWN BY D. RICHARDSON
		ANGULAR ± 1°		SHEET 1 OF 2	DATE 10/1/08
		TITLE PARALLELING GROUP PARALLELING COMPONENTS LAYOUT			QUOTE NUMBER WORK ORDER NUMBER DRAWING NUMBER 80A831



RIGHT SIDE VIEW

NOTE: GENERATOR BARREL DETAILS NOT TO SCALE

		<b>ALTORFER</b>		<b>ALTORFER POWER SYSTEMS</b> 6315 W. FAUBER RD.      PHONE (309) 697-1234 BARTONVILLE, IL 61607      FAX (309) 282-7546		
CHANGE NOTICE	DATE BY	THIS DOCUMENT CONTAINS PROPRIETARY INFORMATION OF ALTORFER, INC. WITHOUT THE WRITTEN PERMISSION OF ALTORFER, INC., ANY COPYING OR OTHER USE EXCEPT THAT FOR WHICH IT WAS INTENDED IS PROHIBITED				
		ALL DIMENSIONS IN INCHES UNLESS OTHERWISE SPECIFIED	FILE DF\80A	PROJECT REFERENCE APS800B C27 POWER MODULE		
		TOLERANCES: X.X ± 0.100 X.XX ± 0.060 X.XXX ± 0.005	THIRD ANGLE PROJECTION	SCALE/SHEET SIZE 1=10/B	DRAWN BY D. RICHARDSON	QUOTE NUMBER
		ANGULAR ± 1°		SHEET 2 OF 2	DATE 10/1/08	WORK ORDER NUMBER
NO.		TITLE PARALLELING GROUP PARALLELING COMPONENTS LAYOUT			DRAWING NUMBER 80A831	