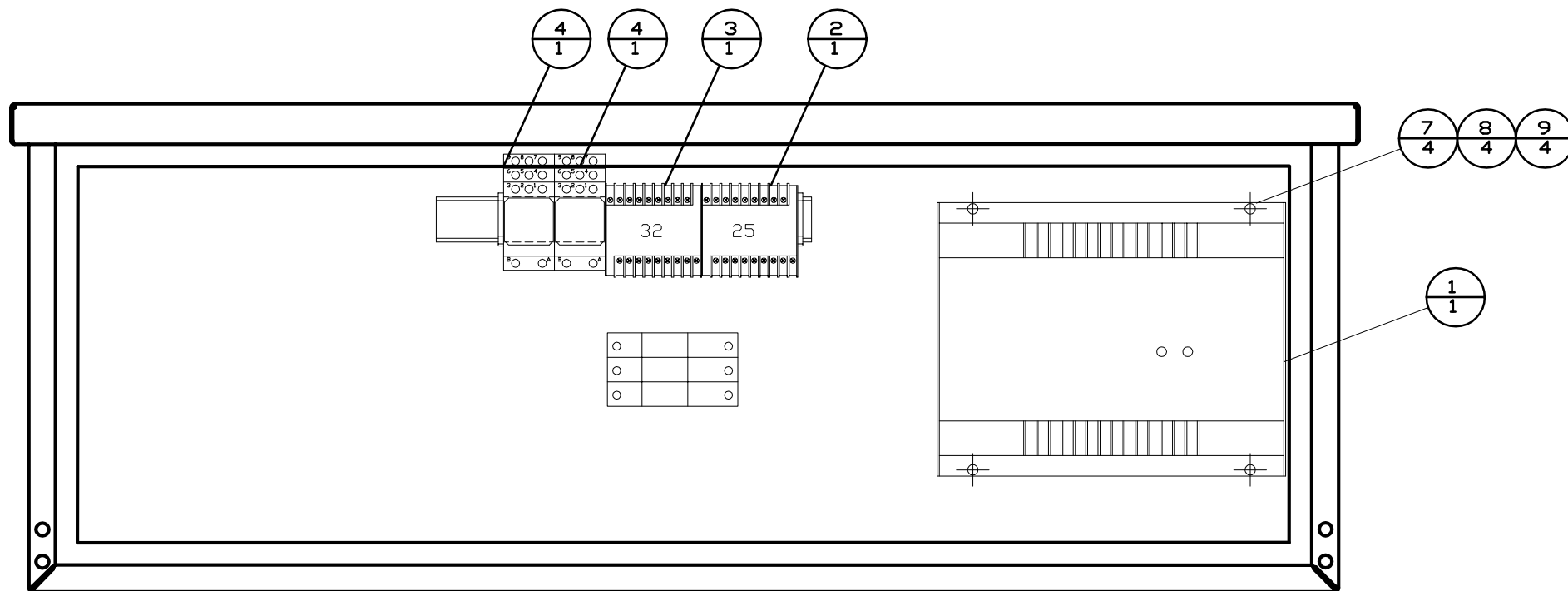
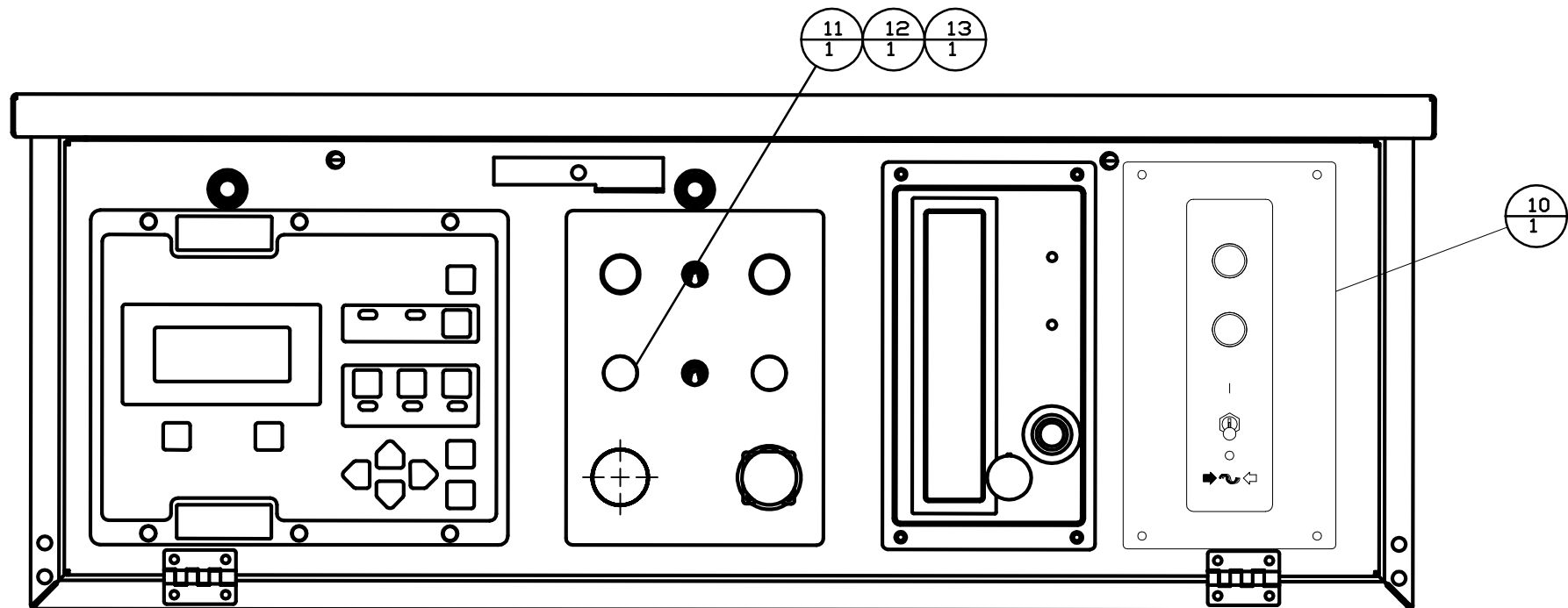


INCH 80A821



ITEM	QTY.	DESCRIPTION
1	1	161-0797 LOADSHARE MODULE
2	1	WD25-012 SYNCH CHECK RELAY
3	1	WD32-011 REVERSE POWER RELAY
4	2	ERELAY RELAY 24VDC 3 POLE
5	1	80E183 DC LOAD SHARE HARNESS
6	1	80E184 AC LOADSHARE HARNESS
7	4	82216 SCREW - 4-0.7x 20MM
8	4	523 WASHER - FLAT #8
9	4	525 WASHER - LOCK #8
10	1	80E185 SYNCH MODULE AS.
11	1	129-0308 POTENTIOMETER
12	1	7C-4550 SEAL
13	1	4W-5972 KNOB



		ALTORFER POWER SYSTEMS 6315 W. FAUBER RD. PHONE (309) 697-1234 BARTONVILLE, IL 61607 FAX (309) 282-7546		
		THIS DOCUMENT CONTAINS PROPRIETARY INFORMATION OF ALTORFER, INC. WITHOUT THE WRITTEN PERMISSION OF ALTORFER, INC., ANY COPYING OR OTHER USE EXCEPT THAT FOR WHICH IT WAS INTENDED IS PROHIBITED		
CHANGE NOTICE	ALL DIMENSIONS IN INCHES UNLESS OTHERWISE SPECIFIED	FILE DF\80A	PROJECT REFERENCE APS800A C27 POWER MODULE	
	TOLERANCES: XX ± 0.100 X.XX ± 0.060 X.XXX ± 0.005	THIRD ANGLE PROJECTION	SCALE/SHEET SIZE 1=5/B	DRAWN BY D. RICHARDSON
	ANGULAR ± 1°		SHEET 1 OF 1	DATE 11/20/06
	TITLE PARALLELING GROUP PARALLELING COMPONENTS LAYOUT			QUOTE NUMBER WORK ORDER NUMBER DRAWING NUMBER 80A821
2	1	NO.		