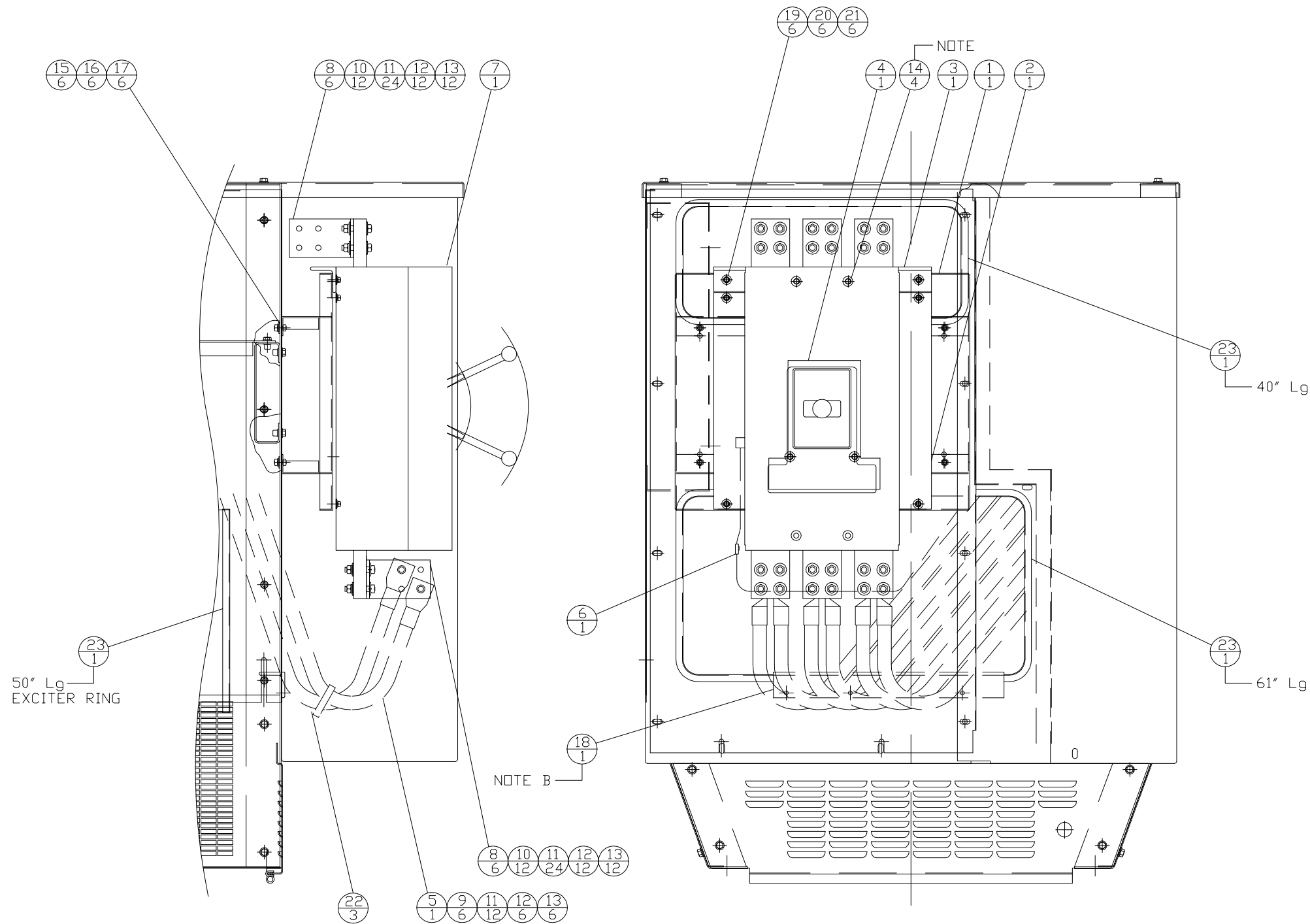


INCH 80A820



ITEM	QTY.	DESCRIPTION
1	1	80C113-01 CIRCUIT BREAKER MOUNT
2	1	80E143 CIRCUIT BREAKER GLASTIC SPACER
3	1	80E144 CIRCUIT BREAKER BARRIER ANGLE
4	1	80C114 FRONT COVER ASSEMBLY
5	1	80E179 CABLE GROUP - CB TO PAN
6	1	80E180 SHUNT TRIP HARNESS EXTENSION
7	1	PG32500F CIRCUIT BREAKER
8	12	54E116 STAB ANGLE COPPER
9	14	65035 BOLT 3/8-16x1-3/4
10	24	65036 BOLT 3/8-16x2
11	76	503 WASHER - FLAT 3/8
12	38	520 WASHER - LOCK 3/8
13	38	102 NUT 3/8-16
14	4	8L3837 BOLT SOCKET HEAD 3/8-16x5
15	6	65017 BOLT 5/16-18x1
16	6	502 WASHER - FLAT 5/16
17	6	529 WASHER - LOCK 5/16
18	1	80E157 CABLE GUARD
19	6	65002 BOLT 1/4-20x1
20	6	501 WASHER - FLAT 1/4
21	6	528 WASHER - LOCK 1/4
22	3	T250RBLK TY-RAP
23	1	8451A63 TRIMLOCK 151.00" LG

NOTE: USE WESTINGHOUSE SUPPLIED LOCK AND FLAT WASHERS FOR BREAKER MOUNTING

NOTE B: RELOCATE EXISTING CAT GROUND BAR TO OPPOSITE SIDE OF SHEETMETAL THEN INSTALL CABLE GUARD

DATE BY				ALTORFER POWER SYSTEMS 6315 W. FAUBER RD. PHONE (309) 697-1234 BARTONVILLE, IL 61607 FAX (309) 282-7546		
				THIS DOCUMENT CONTAINS PROPRIETARY INFORMATION OF ALTORFER, INC. WITHOUT THE WRITTEN PERMISSION OF ALTORFER, INC., ANY COPYING OR OTHER USE EXCEPT THAT FOR WHICH IT WAS INTENDED IS PROHIBITED		
CHANGE NOTICE	ND.	ALL DIMENSIONS IN INCHES UNLESS OTHERWISE SPECIFIED	FILE	PROJECT REFERENCE		
			DF\80A	APS800A C27 POWER MODULE		
		TOLERANCES: X.X ± 0.100 X.XX ± 0.060 X.XXX ± 0.005	THIRD ANGLE PROJECTION	SCALE/SHEET SIZE	DRAWN BY	QUOTE NUMBER
		ANGULAR ± 1°		1=10/B	D. RICHARDSON	
TITLE		SHEET	DATE	WORK ORDER NUMBER		
	1	1 OF 1	11/14/06			
APS800 CIRCUIT BREAKER MOUNTING GROUP				DRAWING NUMBER		
				80A820		