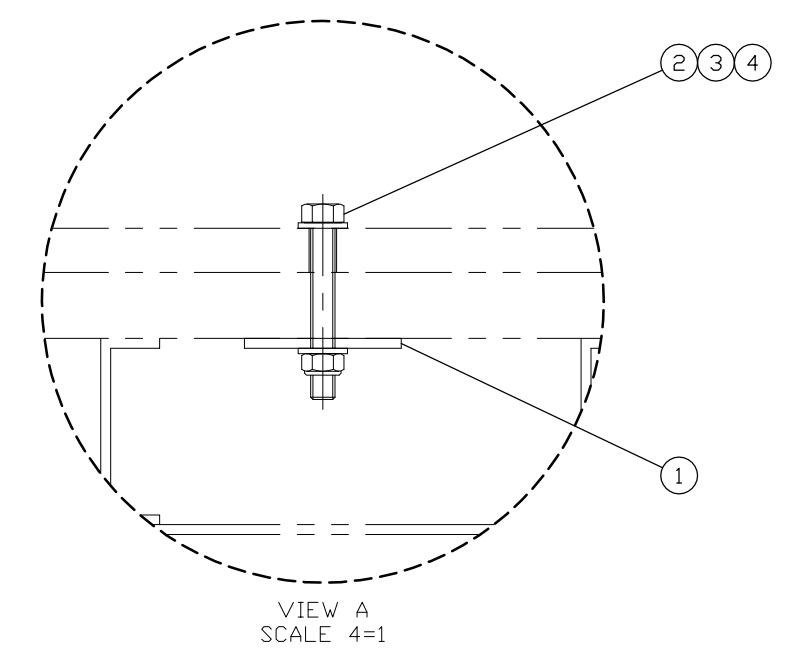
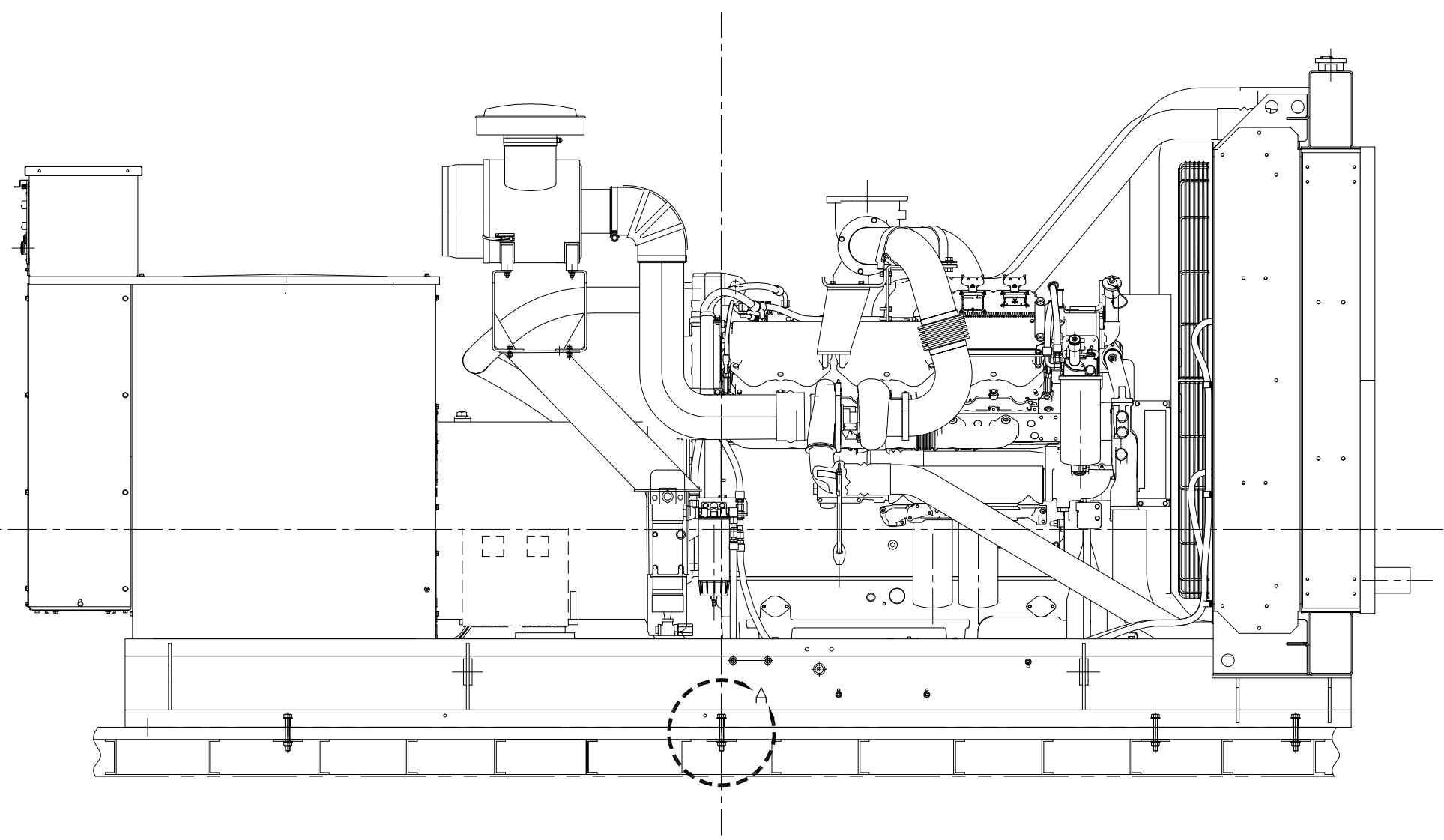


INCH 80A819

ITEM	QTY.	PART NO.	DESCRIPTION
1	8	80C116	GENSET BEARING PLATE
2	8	7X-0350	BOLT 5/8-11x3.50
3	16	8T-4122	WASHER 5/8
4	8	3K-2889	LOCKNUT 5/8-11



NOTCH FLOOR CROSSMEMBERS TO ACCOMMODATE
GENSET MOUNTING PLATE AND HARDWARE

DATE BY	ALTORFER		ALTORFER POWER SYSTEMS		
	6315 W. FAUBER RD. BARTONVILLE, IL 61607		PHONE (309) 697-1234 FAX (309) 282-7546		
CHANGE NOTICE	THIS DOCUMENT CONTAINS PROPRIETARY INFORMATION OF ALTORFER, INC. WITHOUT THE WRITTEN PERMISSION OF ALTORFER, INC., ANY COPYING OR OTHER USE EXCEPT THAT FOR WHICH IT WAS INTENDED IS PROHIBITED				
	ALL DIMENSIONS IN INCHES UNLESS OTHERWISE SPECIFIED	FILE DF/80A	PROJECT REFERENCE APS800A C27 POWER MODULE		
	TOLERANCES: X.X ± 0.100 X.XX ± 0.060 X.XXX ± 0.005	THIRD ANGLE PROJECTION	SCALE/SHEET SIZE 1=20/B	DRAWN BY D. RICHARDSON	QUOTE NUMBER
	ANGULAR ± 1°		SHEET 1 OF 1	DATE 8/3/06	WORK ORDER NUMBER
TITLE	GENSET MOUNTING GROUP MOUNTING LAYOUT			DRAWING NUMBER 80A819	
NO.	1	2	3	1	