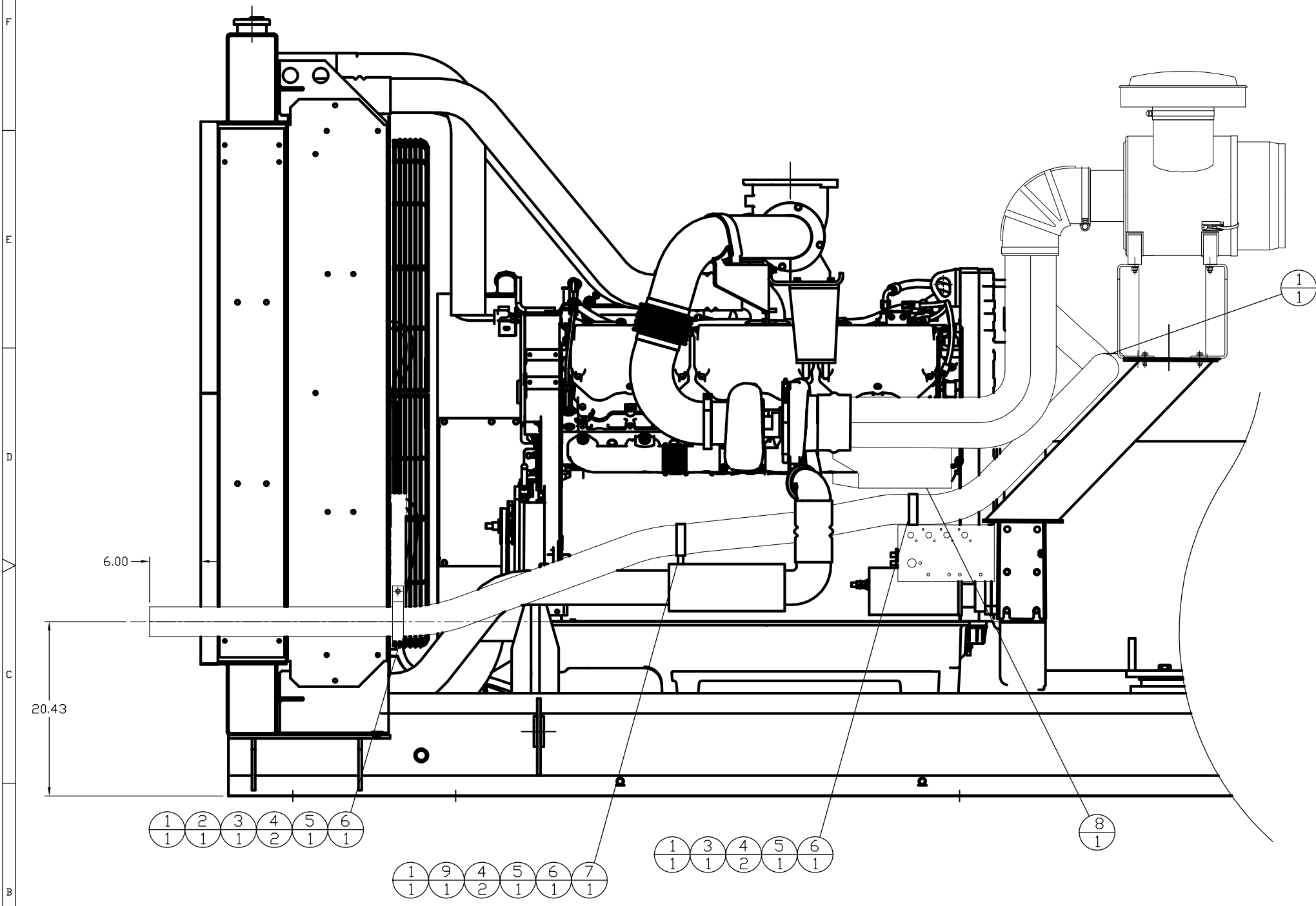
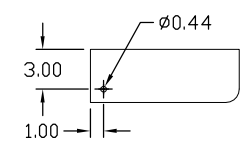


INCH 80A812

ITEM	QTY.	PART NO.	DESCRIPTION
1	4	204-1070	CLIP - LOOP
2	1	81C176	BRACKET - FUMES
3	2	65033	BOLT 3/8-16 X 1.25
4	6	503	WASHER - FLAT 3/8
5	3	530	WASHER -LOCK 3/8
6	3	102	NUT 3/8-16
7	1	8636	COUPLING - PIPE 1/4"
8	1	6N9091	SHIELD GP. - MANIFOLD
9	1	65036	BOLT 3/8-16 X 2



LEFT SIDE VIEW



TOP OF DC POWER DISTRIBUTION

DATE BY		ALTORFER		ALTORFER POWER SYSTEMS	
				6315 W. FAUBER RD. PHONE (309) 697-1234 BARTONVILLE, IL 61607 FAX (309) 282-7546	
THIS DOCUMENT CONTAINS PROPRIETARY INFORMATION OF ALTORFER, INC. WITHOUT THE WRITTEN PERMISSION OF ALTORFER, INC., ANY COPYING OR OTHER USE EXCEPT THAT FOR WHICH IT WAS INTENDED IS PROHIBITED					
CHANGE NOTICE		ALL DIMENSIONS IN INCHES UNLESS OTHERWISE SPECIFIED		FILE	PROJECT REFERENCE
				DF/80A	APS800A C27 POWER MODULE
TOLERANCES: X.X ± 0.100 X.XX ± 0.060 X.XXX ± 0.005		THIRD ANGLE PROJECTION		SCALE/SHEET SIZE	DRAWN BY
				1=10/C	D. RICHARDSON
ANGULAR ± 1°		1 OF 1		DATE	WORK ORDER NUMBER
				8/17/06	
TITLE		FUMES DISPOSAL GROUP FUMES HOSE ROUTING		DRAWING NUMBER 80A812	