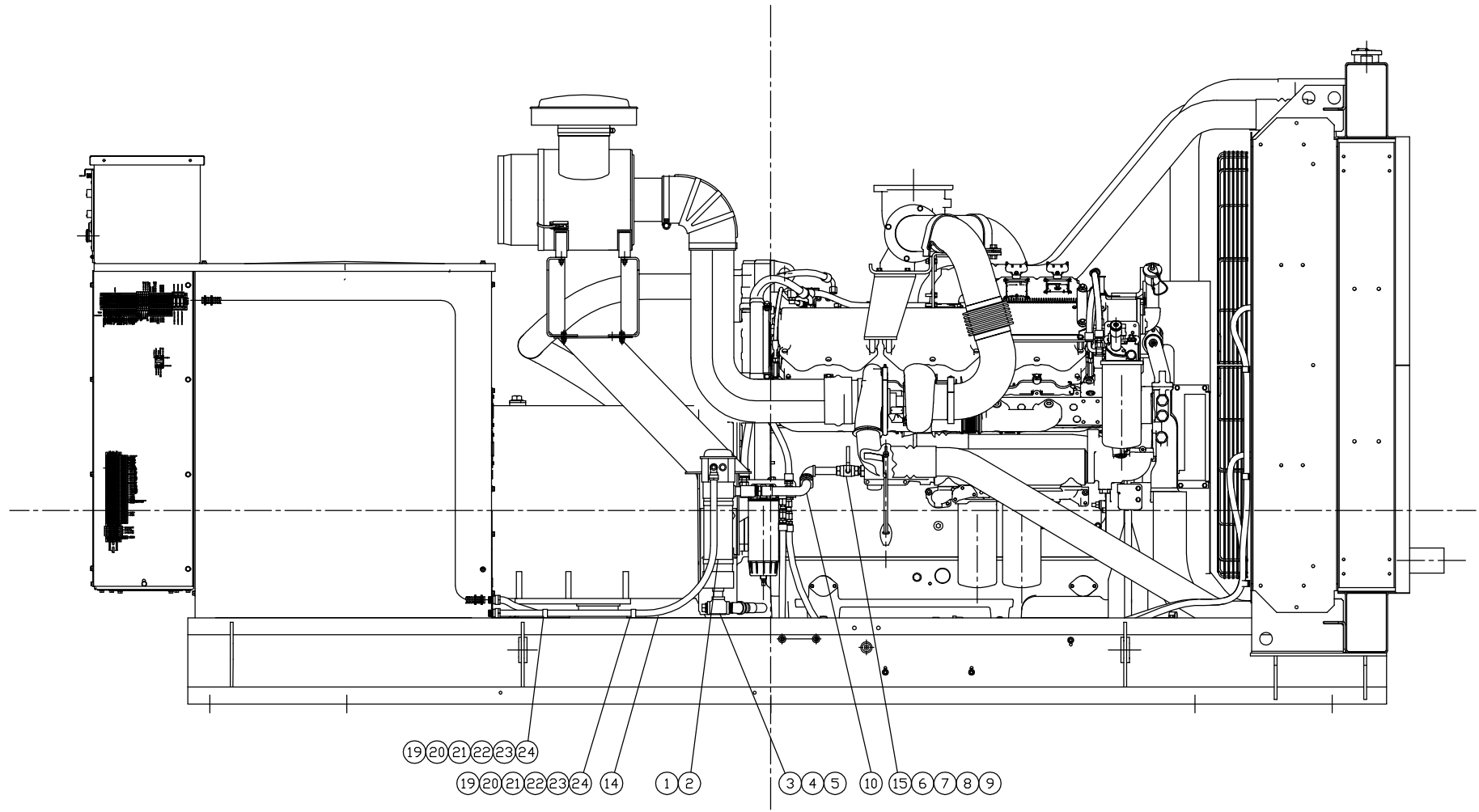
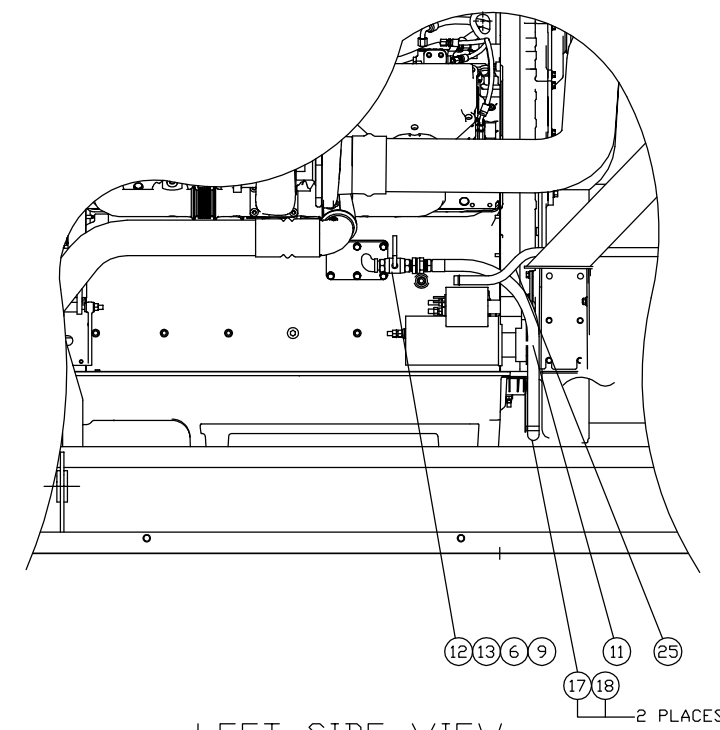


INCH 80A809

ITEM	QTY.	PART NO.	DESCRIPTION
1	1	CL160CA2-000	JACKET WATER HEATER (6KW 2x120V)
2	1	80C231	MOUNT BRACKET
3	1	8629	TEE PIPE 1 X 1 X 1"
4	1	8679	PLUG PIPE 1"
5	1	80596	ELBOW STR. (PIPE) 45° 1"
6	2	PBBV34	VALVE (BALL) 3/4"
7	1	8722	NIPPLE (PIPE) 3/4x4" Lg
8	1	8604	ELBOW PIPE 90° 3/4"
9	2	286966	ADAPTOR - SWIVEL 3/4"x1"
10	1	80C229	HOSE ASSEMBLY
11	1	80C230	HOSE ASSEMBLY
12	1	8620	ELBOW STR. (PIPE) 90° 3/4"
13	1	8716	NIPPLE (PIPE) 3/4 X CLOSE
14	1	80E169	HARNES ASSEMBLY (6KW JWH DUAL 120V)
15	1	64892	ADAPTOR - PIPE
16	-	-	-
17	2	F17023	CLAMP (RUBBER) 1-1/2"
18	2	9N1394	BRACKET
19	2	F17015	CLAMP (RUBBER) 1"
20	2	F17019	CLAMP (RUBBER) 1-1/4"
21	2	65034	BOLT 3/8-16 X 1-1/2
22	4	503	WASHER - FLAT 3/8
23	2	530	WASHER - LOCK 3/8
24	2	102	NUT - 3/8-16
25	1	80E181	DC POWER HARNES



RIGHT SIDE VIEW



LEFT SIDE VIEW

DATE BY	ALTORFER		ALTORFER POWER SYSTEMS		
	6315 W. FAUBER RD. BARTONVILLE, IL 61607		PHONE (309) 697-1234 FAX (309) 282-7546		
CHANGE NOTICE	THIS DOCUMENT CONTAINS PROPRIETARY INFORMATION OF ALTORFER, INC. WITHOUT THE WRITTEN PERMISSION OF ALTORFER, INC., ANY COPYING OR OTHER USE EXCEPT THAT FOR WHICH IT WAS INTENDED IS PROHIBITED				
	ALL DIMENSIONS IN INCHES UNLESS OTHERWISE SPECIFIED	FILE DF/80A	PROJECT REFERENCE APS800A C27 POWER MODULE		
	TOLERANCES: X.X ± 0.100 X.XX ± 0.060 X.XXX ± 0.005	THIRD ANGLE PROJECTION	SCALE/SHEET SIZE 1=15/C	DRAWN BY D. RICHARDSON	QUOTE NUMBER
	ANGULAR ± 1°		SHEET 1 OF 1	DATE 8/7/06	WORK ORDER NUMBER
NO.	TITLE JACKET WATER HEATER GROUP INSTALLATION LAYOUT			DRAWING NUMBER 80A809	