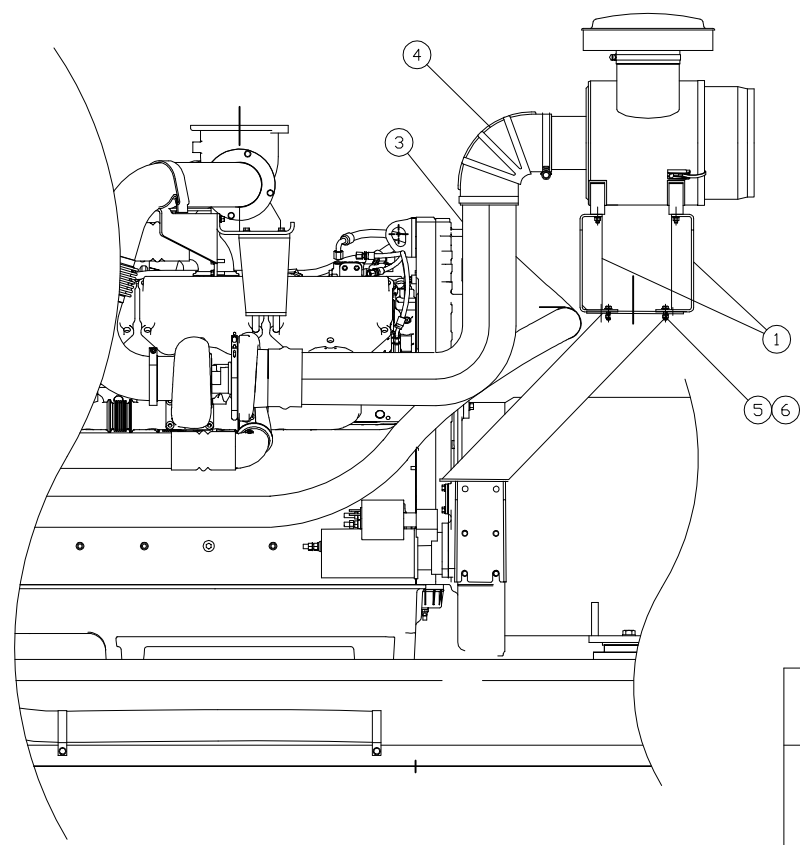
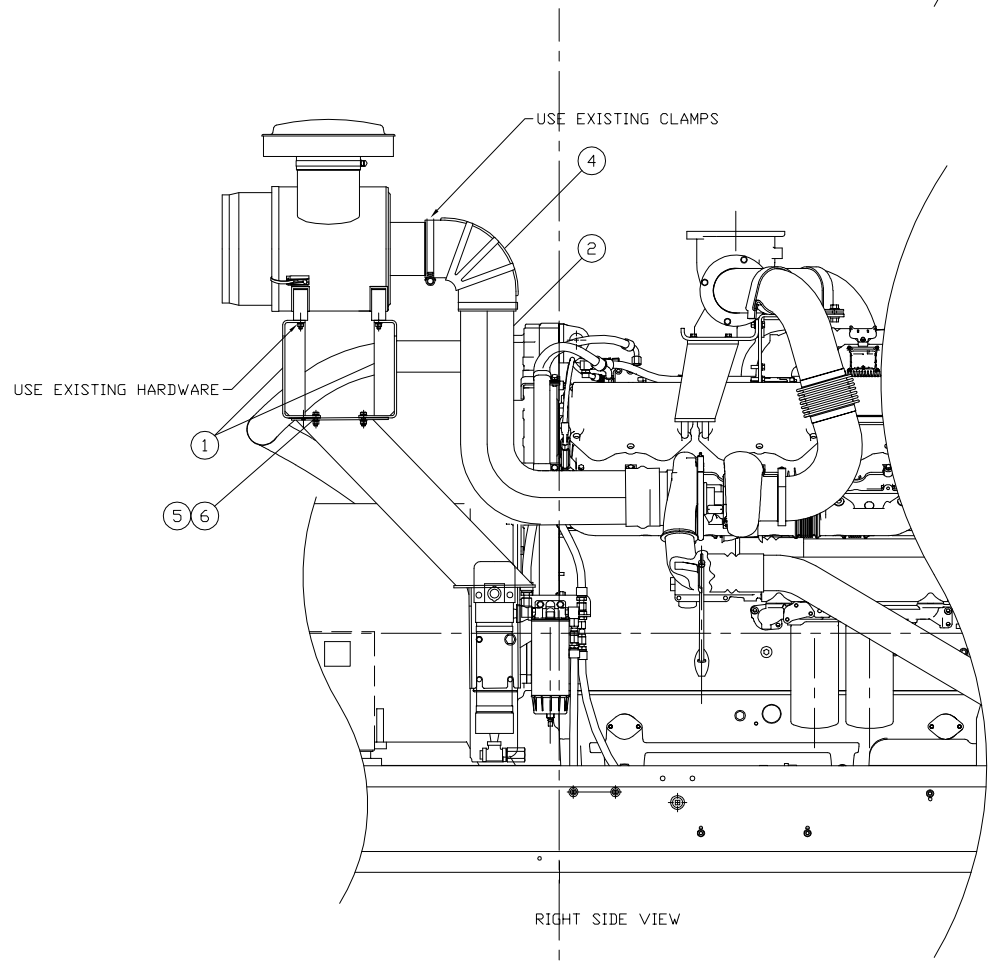
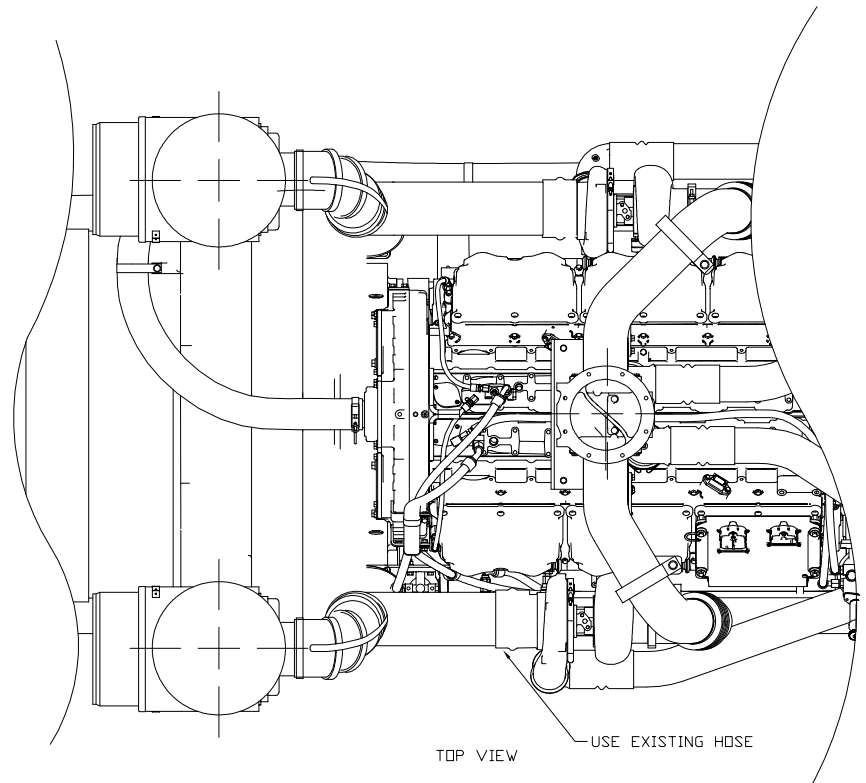


INCH 80A808

ITEM	QTY.	PART NO.	DESCRIPTION
1	4	80C237	AIR CLEANER SUPPORT BRACKET
2	1	80C241	AIR CLEANER PIPING ASSEMBLY RH
3	1	80C242	AIR CLEANER PIPING ASSEMBLY LH
4	2	90HL6	6" RUBBER ELBOW
5	8	54840	BOLT FLANGED 3/8-16X1
6	8	272388	NUT FLANGED 3/8-16



		ALTORFER POWER SYSTEMS 6315 W. FAUBER RD. PHONE (309) 697-1234 BARTONVILLE, IL 61607 FAX (309) 282-7546		
		THIS DOCUMENT CONTAINS PROPRIETARY INFORMATION OF ALTORFER, INC. WITHOUT THE WRITTEN PERMISSION OF ALTORFER, INC., ANY COPYING OR OTHER USE EXCEPT THAT FOR WHICH IT WAS INTENDED IS PROHIBITED.		
CHANGE NOTICE NO. 1	ALL DIMENSIONS IN INCHES UNLESS OTHERWISE SPECIFIED	FILE DF/80A	PROJECT REFERENCE APS800A C27 POWER MODULE	
	TOLERANCES: X.X ± 0.100 X.XX ± 0.060 X.XXX ± 0.005	THIRD ANGLE PROJECTION	SCALE/SHEET SIZE 1=15/C	DRAWN BY D. RICHARDSON
	ANGULAR ± 1°		SHEET 1 OF 1	DATE 8/7/06
	TITLE AIR CLEANER MOUNTING GROUP INSTALLATION LAYOUT		QUOTE NUMBER WORK ORDER NUMBER DRAWING NUMBER 80A808	