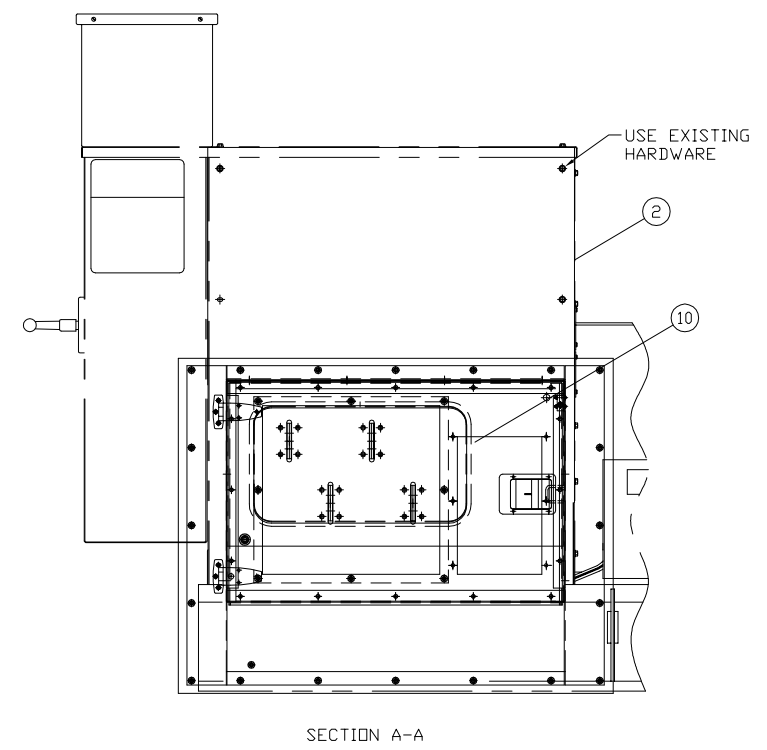
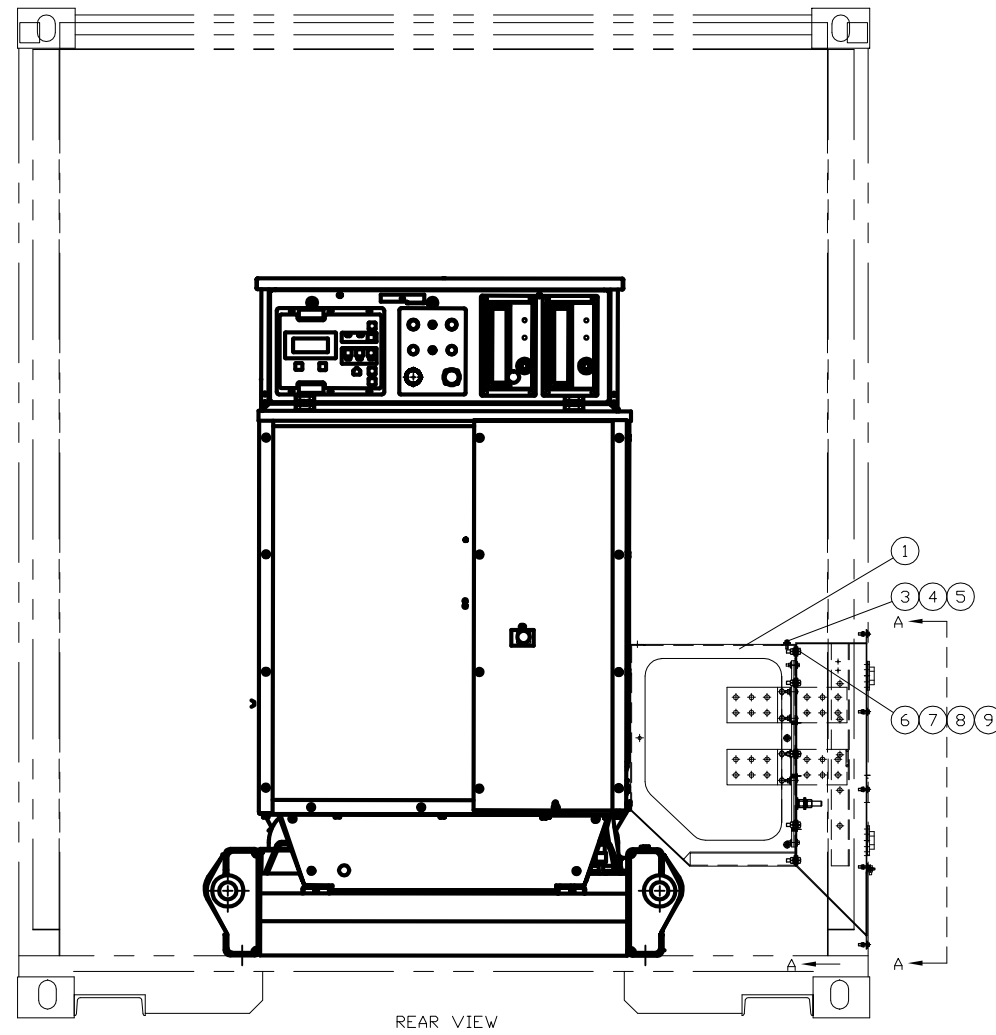


INCH 80A807

ITEM	QTY.	PART NO.	DESCRIPTION
1	1	80E164	TRANSITION BOX ASSEMBLY
2	1	80E168	GEN. RIGHT HAND SIDE COVER
3	16	65001	BDLT 1/4-20 X 0.75
4	16	528	LOCKWASHER 1/4
5	16	501	WASHER 1/4
6	16	91043	BDLT 3/8-16 X 1.25 SS
7	32	91114	WASHER - FLAT 3/8 SS
8	16	91121	WASHER - LOCK 3/8
9	16	102	NUT 3/8-16
10	1	8451A63	TRIMLOCK 70.50" LG



		ALTORFER POWER SYSTEMS 6315 W. FAUBER RD. PHONE (309) 697-1234 BARTONVILLE, IL 61807 FAX (309) 282-7546			
		THIS DOCUMENT CONTAINS PROPRIETARY INFORMATION OF ALTORFER, INC. WITHOUT THE WRITTEN PERMISSION OF ALTORFER, INC., ANY COPYING OR OTHER USE EXCEPT THAT FOR WHICH IT WAS INTENDED IS PROHIBITED.			
CHANGE NOTICE NO. 1	ALL DIMENSIONS IN INCHES UNLESS OTHERWISE SPECIFIED	FILE DF/80A	PROJECT REFERENCE APS800A C27 POWER MODULE		
	TOLERANCES: X.X ± 0.100 X.XX ± 0.060 X.XXX ± 0.005	THIRD ANGLE PROJECTION	SCALE/SHEET SIZE 1=15/C	DRAWN BY D. RICHARDSON	QUOTE NUMBER
	ANGULAR ± 1°		SHEET 1 OF 1	DATE 8/3/06	WORK ORDER NUMBER
	TITLE TRANSITION BOX GROUP ASSEMBLY LAYOUT			DRAWING NUMBER 80A807	