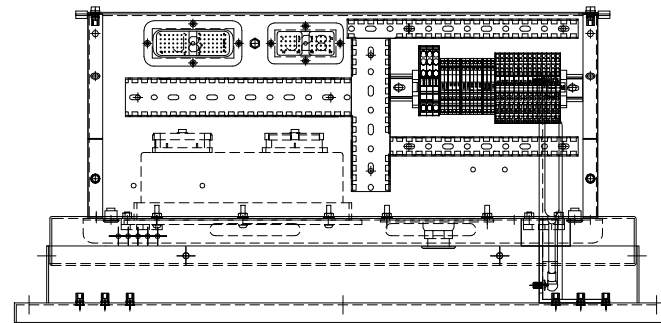
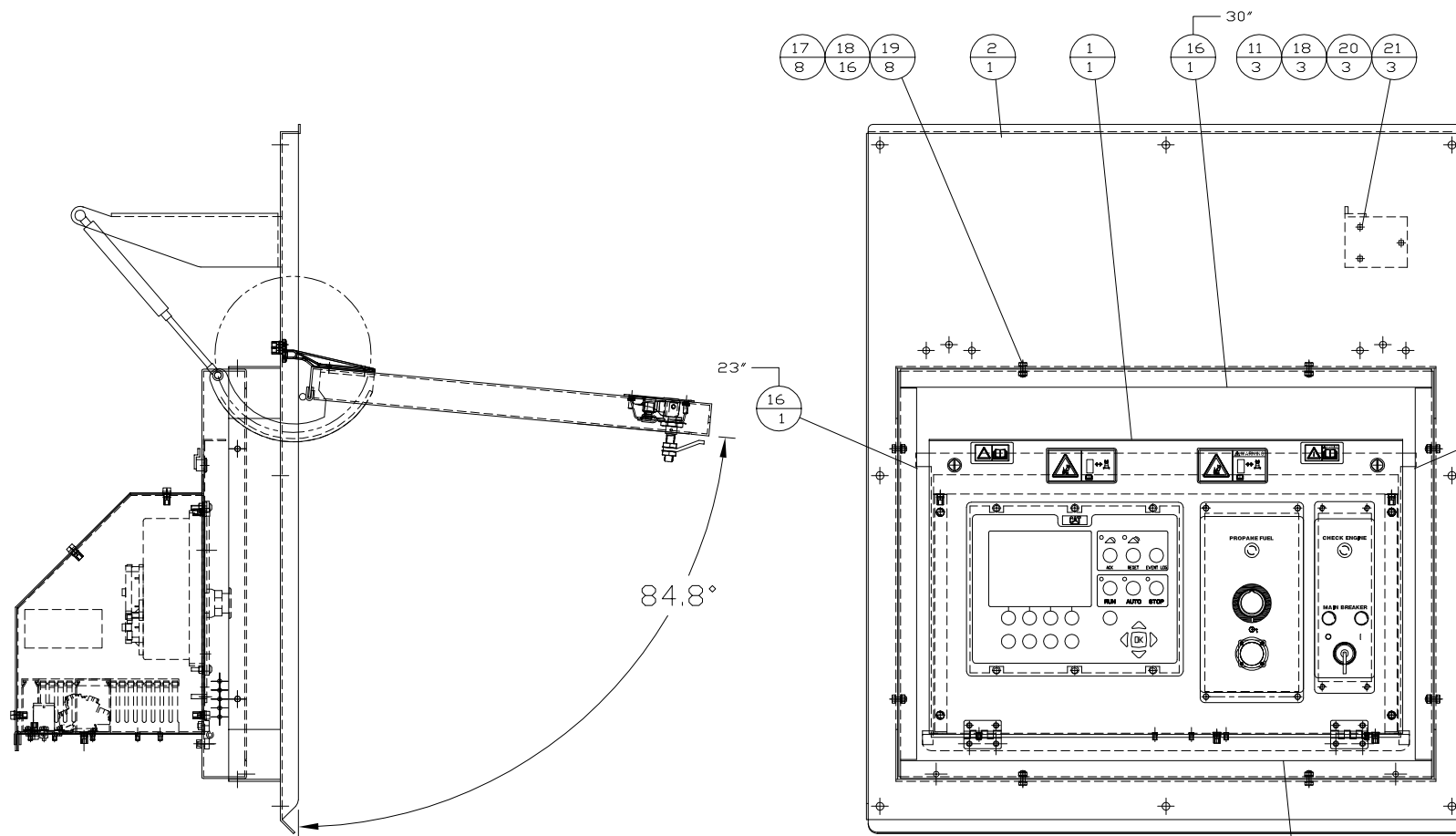


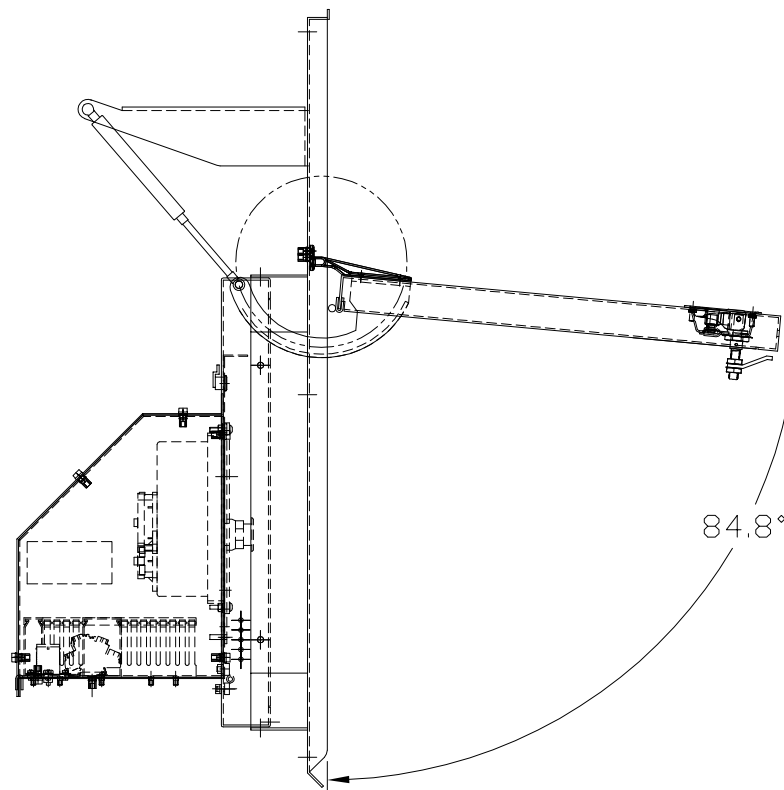
INCH 71E134



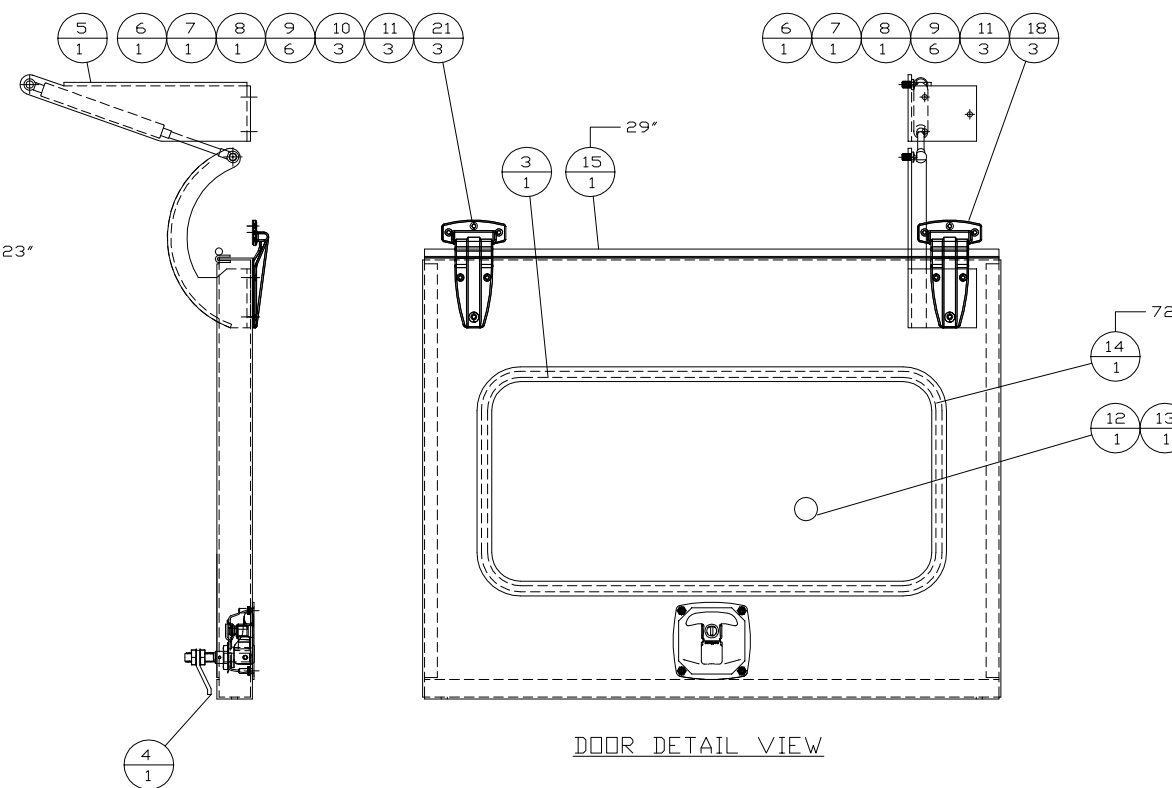
TOP VIEW
(DOOR REMOVED)



FRONT VIEW
(DOOR REMOVED)



SIDE VIEW



DOOR DETAIL VIEW

REFERENCE ASSEMBLY DWG 68E424

NO. OF ITEM	QTY	MEAS UNIT	CAT PART NO.	ALTORFER PART NO.	NAME
PARTS LIST					
1	1			71E130	PANEL AR. - ELEC
2	1			68E411	CONTROL PANEL METAL GP.(BOLTED)
3	1			68E340	WINDOW - CP MOUNTING PAN
4	1			68E425	BLACK DOOR LATCH (T-HANDLE)
5	1			68E429	DOOR SPRING GP.
6	2		317-5796	BLACK HINGE	XQ DOOR HINGE
7	2		317-5798		GASKET - HINGE
8	2		317-5797		GASKET - HINGE
9	12		317-5697	51482	SCREW- COUNTERSUNK 1/4-20x1Lg SS
10	3		317-5700	276420	NEOPRENE FLATWASHER
11	9		6V-8185		NUT - 1/4-20
12	1		4W-9908		BUTTON AS. - E-STOP
13	1			STOP-ROD	ROD - E-STOP
14	72	in		AS-990	GROMMET - WINDOW
15	29	in	3E-6697		TRIMLOK - BEADED
16	104.5	in		D-2685	GASKET - 3/4"
17	8		5C-9553		BOLT M6X1 16MM LONG
18	21		8T-4205		WASHER - FLAT
19	8		5C-2890		NUT - M6X1
20	3			90185A540	1/4"-20THDx0.75" CARRIAGE BOLT
21	6		317-5698		WASHER - LOCK
22	1			0221241	WHITE SIKAFLEX - TUBE

FOR USE WITH:
APS470G
APS290G
APS230G

ASSEMBLY WEIGHT: 123 Lbs

DATE BY		ALTORFER		ALTORFER POWER SYSTEMS	
		6315 W. FAUBER RD.		PHONE (309) 697-1234	
		BARTONVILLE, IL 61607		FAX (309) 282-7546	
THIS DOCUMENT CONTAINS PROPRIETARY INFORMATION OF ALTORFER, INC. WITHOUT THE WRITTEN PERMISSION OF ALTORFER, INC., ANY COPYING OR OTHER USE EXCEPT THAT FOR WHICH IT WAS INTENDED IS PROHIBITED		FILE		PROJECT REFERENCE	
ALL DIMENSIONS IN INCHES UNLESS OTHERWISE SPECIFIED		DF/71E		APS GAS PRODUCT	
TOLERANCES: X.X ± 0.100 X.XX ± 0.060 X.XXX ± 0.005		SCALE/SHEET SIZE 1=10/B		DRAWN BY D. RICHARDSON	
ANGULAR ± 1°		SHEET 1 OF 1		DATE 12/15/16	
TITLE		MODULE GP. - CONTROL PANEL		DRAWING NUMBER 71E134	
4	3	2	1	NO.	