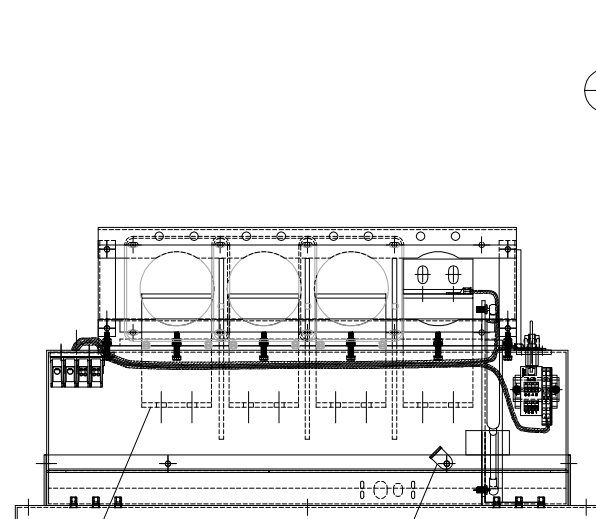
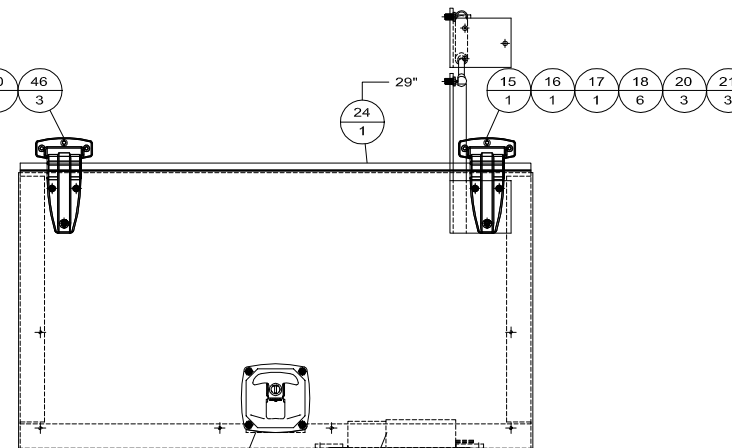


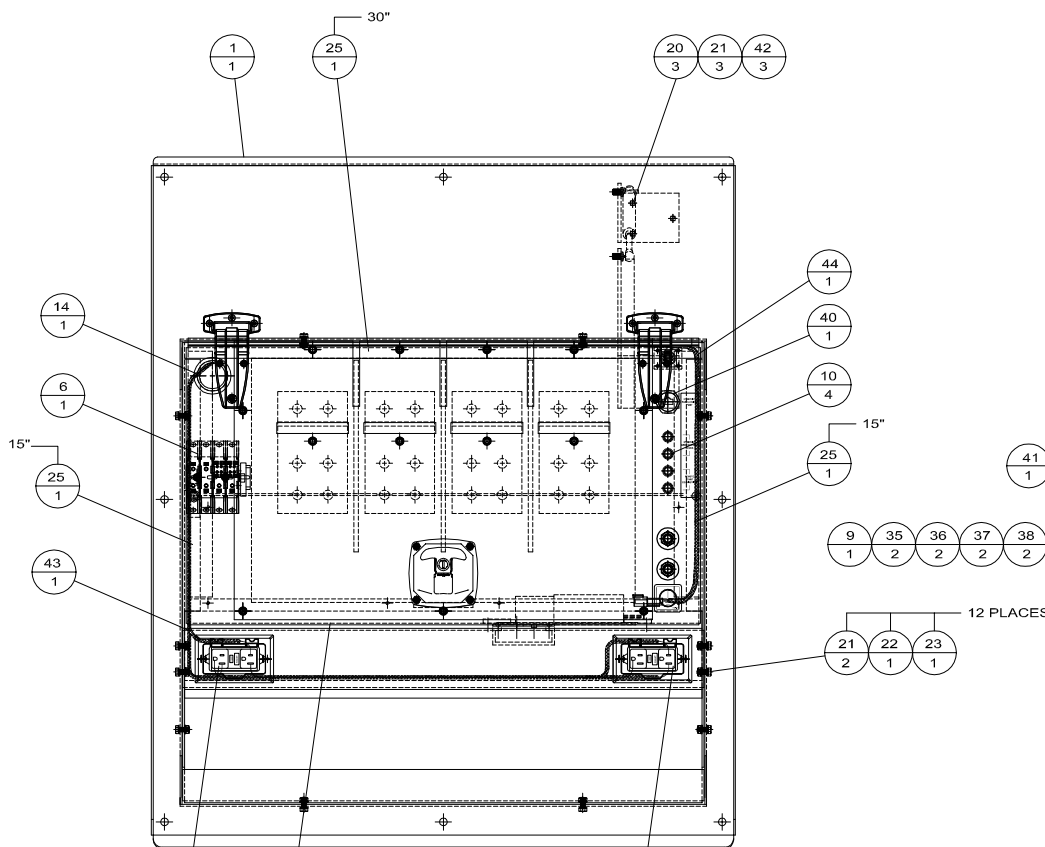
INCH 71E121-1



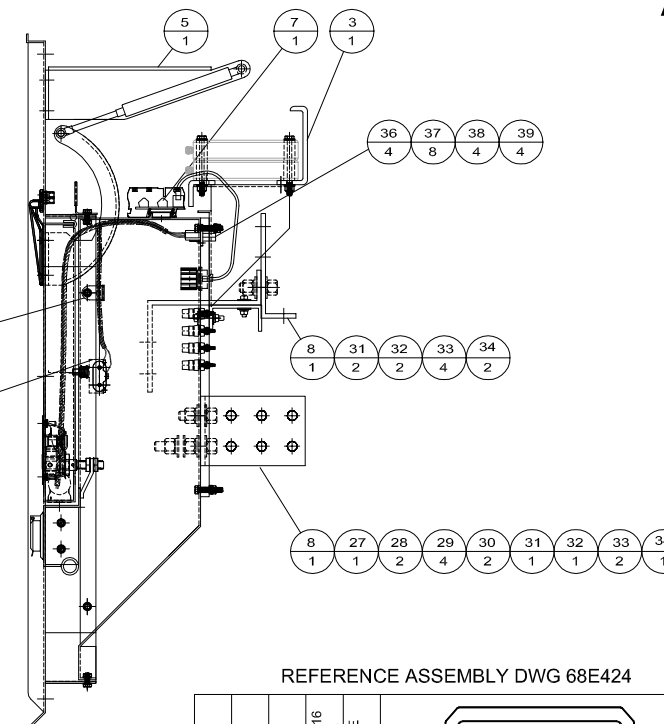
TOP VIEW



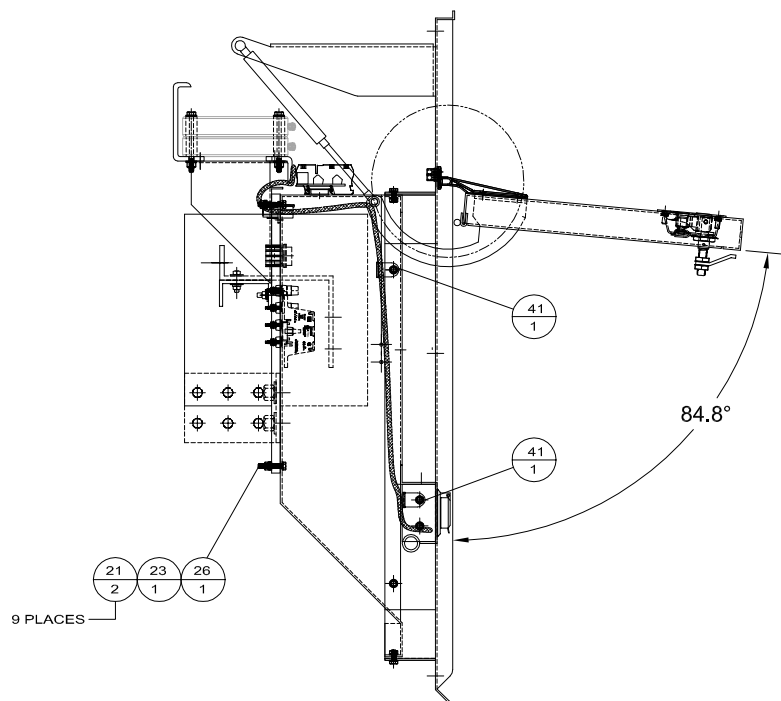
DOOR ASSEMBLY VIEW



FRONT VIEW



RIGHT SIDE VIEW



LEFT SIDE VIEW

ITEM NO.	ITEM QTY	MEAS UNIT	CAT PART NO.	ALTORFER PART NO.	NAME
1	1			68E400	LOAD PAN ASSEMBLY
2	1			68E380	LOAD BUS ASSEMBLY
3	1			71E122	C.T. MOUNTING BRACKET ASSY.
4	1			68E425	BLACK DOOR LATCH (T-HANDLE)
5	1			68E429	DOOR SPRING GP.
6	1			68E382	LOAD PAN CONNECTION BLOCK ASSY.
7	1			68E383	ETHERNET MODULE MOUNTING ASSY.
8	2			68E395	NEUTRAL CONNECTION BAR
9	1			6X288	SAFETY SWITCH
10	4		266-6450	BP30R	REMOTE S/S BINDING POST
11	2			7899-W	20A 120V GFI RECEPTACLE
12	2		378-8750		COVER - RECEPTACLE
13	1		367-7468	MC200-SLD	MAG-LOCK SWITCH
14	1		4D-3100		GROMMET
15	2		317-5796		XQ DOOR HINGE
16	2		317-5797		GASKET - HINGE (WALL)
17	2		317-5798		GASKET - HINGE (DOOR)
18	12		317-5697		SCREW - COUNTERSINK 1/4-20 X 1" SS
19	3		317-5700		5/16 NEOPRENE FLAT WASHER
20	9		6V-8185		NUT - 1/4-20
21	48		8T-4205		WASHER - FLAT M6
22	12		5C-8653		BOLT M6X1 16MM LONG
23	21		5C-2890		NUT - M6X1
24	29	in	3E-6697		TRIMLOCK - BEADED
25	88.5	in		D-2685	DOOR GASKET - 3/4"
26	9		7X-2533		BOLT - M6X1 35MM LONG
27	1		362-3494		1/2-13 X 3" BRONZE BOLT
28	2		210-4757		1/2-13 BRONZE NUT
29	4		362-3586		WASHER-FLAT BRONZE 1/2"
30	2		361-2031		WASHER - LOCK BRONZE 1/2"
31	3		8T-8919		BOLT - 1/2-13 X 1.75"
32	3		6V-8188		NUT - 1/2-13NC
33	6		8T-4223		WASHER - FLAT 1/2"
34	3		3B-4508		WASHER - LOCK 1/2"
35	2		2N-3477		SCREW - #6-32 X 1.25"
36	6		3B-4501		WASHER - LOCK #6
37	6		6V-9499		WASHER - FLAT #6
38	6		4B-2041		NUT - #6-32NC
39	4		9X-6257		SCREW - MACHINE 6-32 X 5/8" LONG
40	1			68E137	ADAPTER - ETHERNET
41	4		156-6175		CLIP - LADDER
42	3			90185A540	1/4"-20THDx0.75" CARRIAGE BOLT
43	1			68E415	HARNES - GFI RECEPTACLES
44	1			68E416	HARNES - MAGLOCK/PS SWITCH
45	1			0221241	WHITE SIKAFLEX - TUBE
46	3		317-5698		WASHER - LOCK 1/4"

ASSEMBLY WEIGHT: 200 Lbs

TORQUE VALUES

- 1/2 BRONZE - 60 ± 12Nm
- 1/2 - 105 ± 20Nm
- #6-32 - 2.1 ± 0.4Nm
- 1/4" - 12 ± 3Nm
- M6 - 12 ± 3Nm

REFERENCE ASSEMBLY DWG 68E424

12-16-16 DKR DATE BY PET RELEASE CHANGE NOTICE NO.	<b>ALTORFER</b> 6315 W. FAUBER RD. BARTONVILLE, IL 61607		<b>ALTORFER POWER SYSTEMS</b> PHONE (309) 697-1234 FAX (309) 282-7546		
	THIS DOCUMENT CONTAINS PROPRIETARY INFORMATION OF ALTORFER, INC. WITHOUT THE WRITTEN PERMISSION OF ALTORFER, INC., ANY COPYING OR OTHER USE EXCEPT THAT FOR WHICH IT WAS INTENDED IS PROHIBITED				
	ALL DIMENSIONS IN INCHES UNLESS OTHERWISE SPECIFIED		FILE DF/71E	PROJECT REFERENCE APS470G	
	TOLERANCES: X.X ± 0.100 X.XX ± 0.060 X.XXX ± 0.005	THIRD ANGLE PROJECTION	SCALE/SHEET SIZE 1=10/B SHEET 1 OF 1	DRAWN BY D. RICHARDSON	QUOTE NUMBER -
ANGULAR ± 1°		DATE 8/6/2016		WORK ORDER NUMBER -	
TITLE MODULE GP. - LOAD PAN			DRAWING NUMBER 71E121-1		

FOR USE WITH:  
APS470G