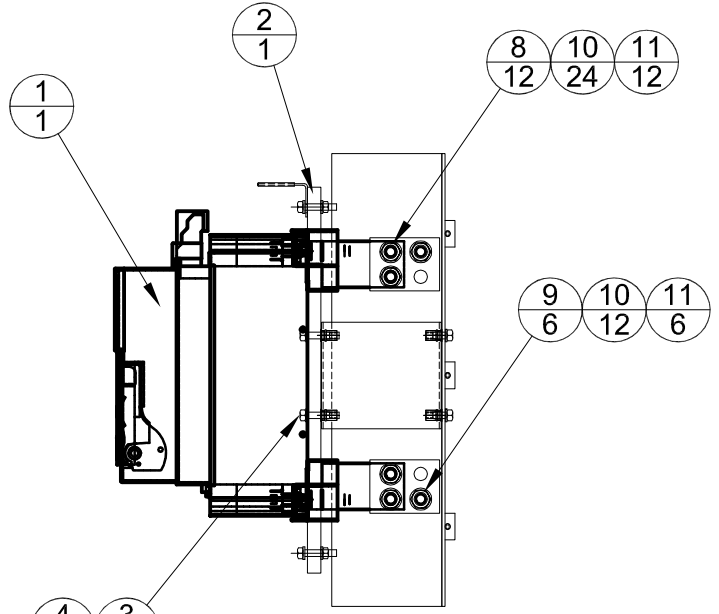
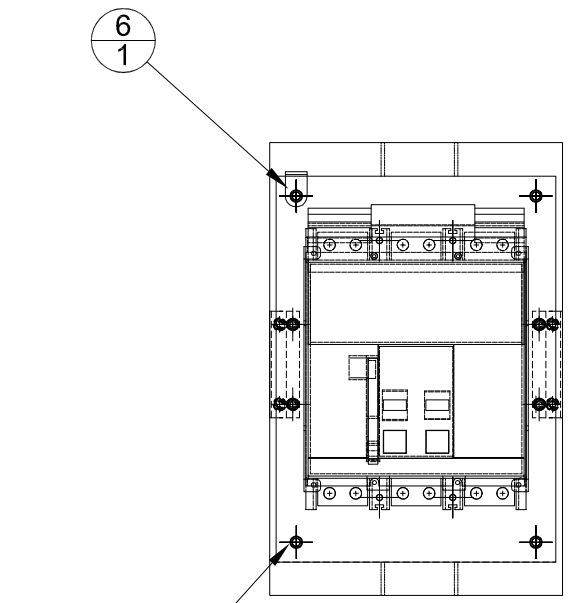


TOP VIEW



SIDE VIEW



FRONT VIEW

NO.	ITEM	QTY	MEAS UNIT	CAT PART NO.	ALTORFER PART NO.	NAME
PARTS LIST						
1	1			Z1SDUHC300B0A0AA2XX	68E323	CIRCUIT BREAKER - 1200 AMP
2	1					MOUNTING BOARD-CIRCUIT BREAKER
3	4			8T-4971		BOLT - M6X1 - 30MM LONG
4	8			8T-4205		WASHER - HARD M6
5	4			5C-2890		NUT - M6X1
6	1			156-6175		CLIP - LADDER
7	6				68E324	BUS EXTENSION-CIRCUIT BREAKER
8	12			8T-4186		BOLT - M10X1.5 - 40MM LONG
9	6			8T-4195		BOLT - M10X1.5 - 30MM LONG
10	36			8T-4121		WASHER - HARD M10
11	18			8T-4133		NUT - M10X1.5
12	1				68E358	ISOLATOR ASSY.-CIRCUIT BREAKER

TORQUE VALUES
 ITEM 3 - 12 ± 3Nm
 ITEM 13 - 12 ± 3Nm
 ITEM 8 - 55 ± 10Nm
 ITEM 9 - 55 ± 10Nm

		ALTORFER POWER SYSTEMS 6315 W. FAUBER RD. PHONE (309) 697-1234 BARTONVILLE, IL 61807 FAX (309) 282-7546			
		THIS DOCUMENT CONTAINS PROPRIETARY INFORMATION OF ALTORFER, INC. WITHOUT THE WRITTEN PERMISSION OF ALTORFER, INC., ANY COPYING OR OTHER USE EXCEPT THAT FOR WHICH IT WAS INTENDED IS PROHIBITED			
CHANGE NOTICE 1 2	ALL DIMENSIONS IN INCHES UNLESS OTHERWISE SPECIFIED	FILE DF71E	PROJECT REFERENCE APS470G		
	TOLERANCES: X.X ± 0.100 X.XXX ± 0.050 X.XXX ± 0.005	THIRD ANGLE PROJECTION	SCALE/SHEET SIZE 1-5/C SHEET 1 OF 1	DRAWN BY D. RICHARDSON	QUOTE NUMBER -
	ANGULAR ± 1°		DATE 8/6/2016	WORK ORDER NUMBER -	DRAWING NUMBER 71E120
	TITLE CIRCUIT BREAKER GP - 1200A				DRAWING NUMBER 71E120