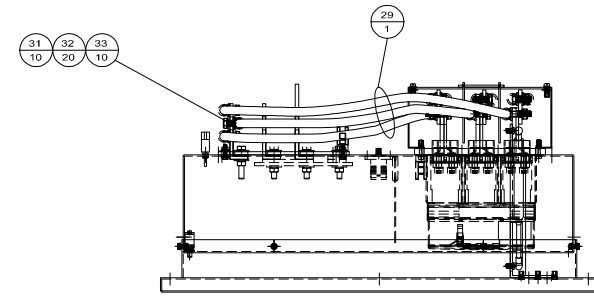


INCH 71E119-01



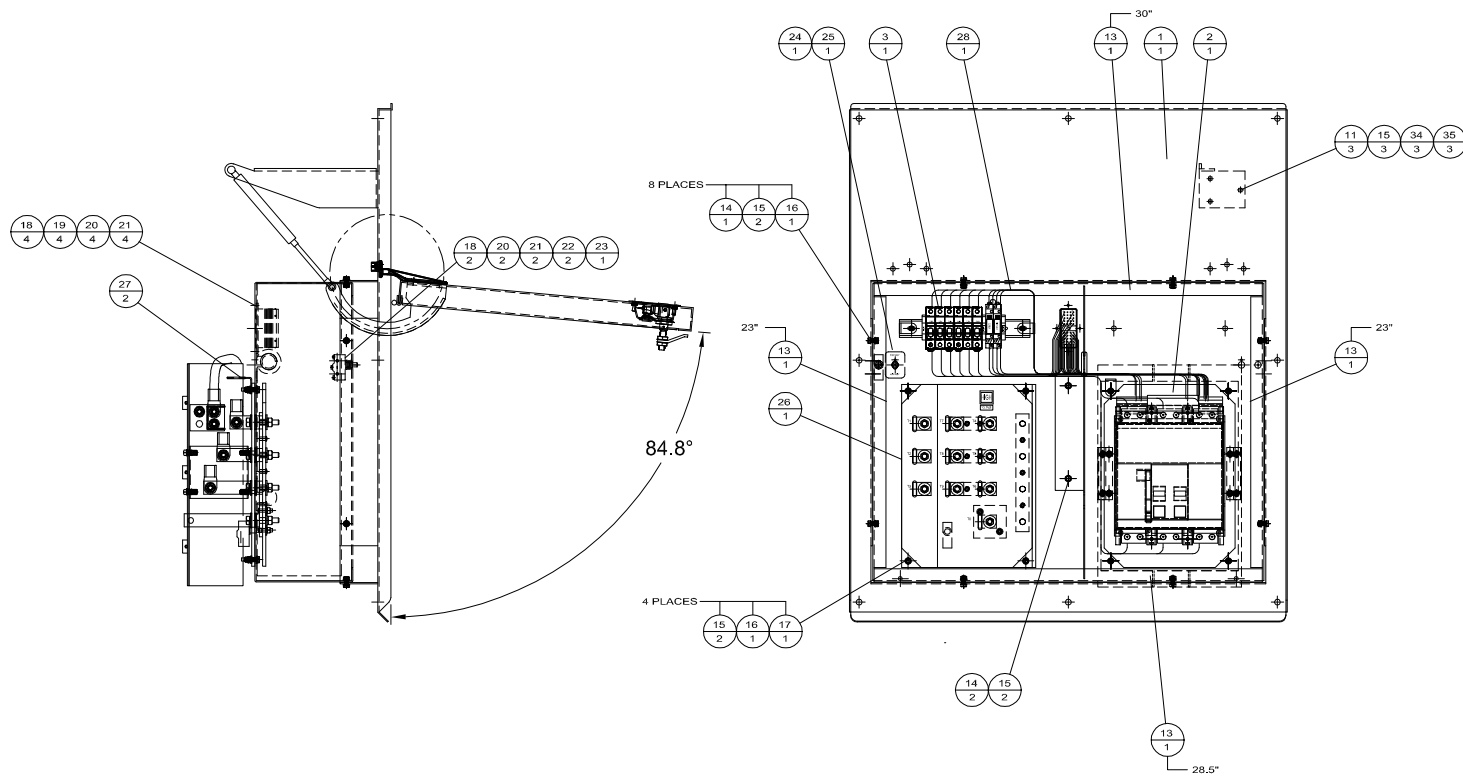
TOP VIEW

TORQUE VALUES

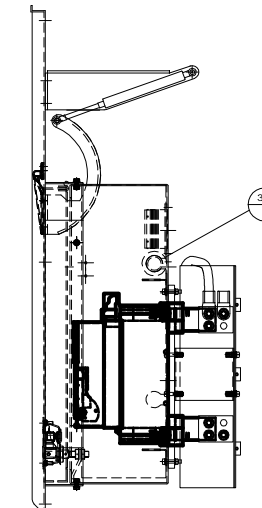
- 1/4" - 12 ± 3Nm
- M6 - 12 ± 3Nm
- #6-32 - 2.1 ± 0.4Nm
- M10 - 55 ± 10Nm

NO.	ITEM	QTY	MEAS. UNIT	CAT. PART NO.	ALTORFER PART NO.	NAME
1	1			68E408		SUB-ASSEMBLY - CB & C/O BOARD PAN
2	1			71E120		CIRCUIT BREAKER GP. 1200A
3	1			68E328		TERMINAL STRIP ASSEMBLY
4	1			68E425		BLACK DOOR LATCH (T-HANDLE)
5	1			68E429		DOOR SPRING GP.
6	2		317-5796	BLACK HINGE	XQ DOOR HINGE	
7	2		317-5797		GASKET - HINGE	
8	2		317-5798		GASKET - HINGE	
9	12		317-5707	51482	SCREW - COUNTERSUNK 1/4-20x1Lg SS	
10	3		317-5690	276420	5/16 NEOPRENE FLATWASHER	
11	9		6V-8185		NUT - 1/4-20	
12	29	in	3E-6697		TRIMLOK - BEADED	
13	104.5	in		D-2685	DOOR GASKET - 3/4"	
14	10		5C-9553		BOLT - M6X1 16MM LONG	
15	29		8T-4205		WASHER - HARD (M6-1/4")	
16	12		5C-2890		NUT - M6X1	
17	4		8T-4971		BOLT - M6X1 30MM LONG	
18	6		4B-2041		NUT - 6-32	
19	4		9X-6257		SCREW - MACHINE 6-32 X 5/8" LONG	
20	6		6V-9499		WASHER - HARD #6	
21	6		3B-4501		WASHER - LOCK #6	
22	2		2N-3477		SCREW - #6-32 X 1.25"	
23	1			6X288	SAFETY SWITCH	
24	1		139-2118		SWITCH ASSEMBLY - VFSS	
25	1		68E361		FILM - VFSS SELECTOR SWITCH	
26	1		68E316		CHANGEOVER BOARD ASSEMBLY	
27	2		156-6175		CLIP-LADDER M6	
28	1		68E360		HARNES - CB & C/O MODULE	
29	1		70E322		CABLE GROUP - C/O BOARD TO C.B.	
30	1		2U-3085		GROMMET	
31	10		8T-4195		BOLT - M10X1.5 - 30MM LONG	
32	20		8T-4121		WASHER - HARD M10	
33	10		8T-4133		NUT - M10X1.5	
34	3		90185A540		1/4"-20THDx0.75" CARRIAGE BOLT	
35	6		317-5698		WASHER - LOCK	
36	1			0221241	WHITE SIKAFLEX - TUBE	

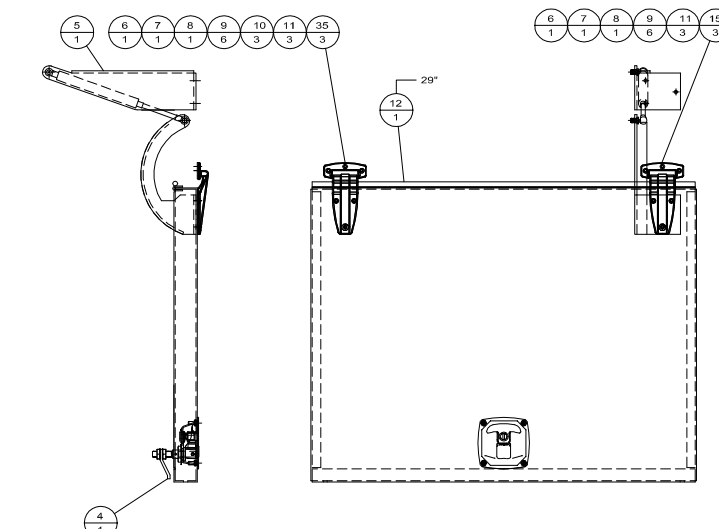
ASSEMBLY WEIGHT: 184 Lbs



FRONT VIEW



RIGHT SIDE VIEW



DOOR ASSEMBLY VIEW

LEFT SIDE VIEW

FOR USE WITH:
APS470G

REFERENCE ASSEMBLY DWG 68E424

12/20/16 DKR DATE	DATE BY	ALTORFER		ALTORFER POWER SYSTEMS 6315 W. FAUBER RD. PHONE (309) 697-1234 BARTONVILLE, IL 61607 FAX (309) 282-7546	
		THIS DOCUMENT CONTAINS PROPRIETARY INFORMATION OF ALTORFER, INC. WITHOUT THE WRITTEN PERMISSION OF ALTORFER, INC., ANY COPYING OR OTHER USE EXCEPT THAT FOR WHICH IT WAS INTENDED IS PROHIBITED			
PROTO UPDATE CHANGE NOTICE	FILE DF/71E	PROJECT REFERENCE APS470G		DRAWN BY D. RICHARDSON	
		SCALE/SHEET SIZE 1=15/B		DATE 8/6/2016	
TOLERANCES: X.X ± 0.100 X.XX ± 0.060 X.XXX ± 0.005		THIRD ANGLE PROJECTION		SHEET 1 OF 1	
ANGULAR ± 1°		TITLE MODULE GP. - C.B. & CHANGEOVER BOARD		QUOTE NUMBER -	
NO.		DRAWING NUMBER 71E119-01		WORK ORDER NUMBER -	