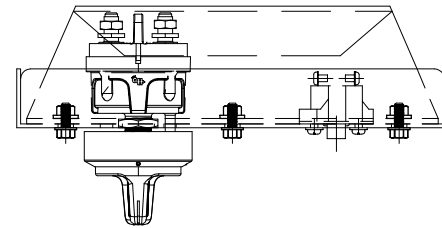
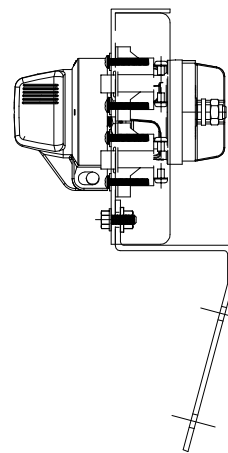


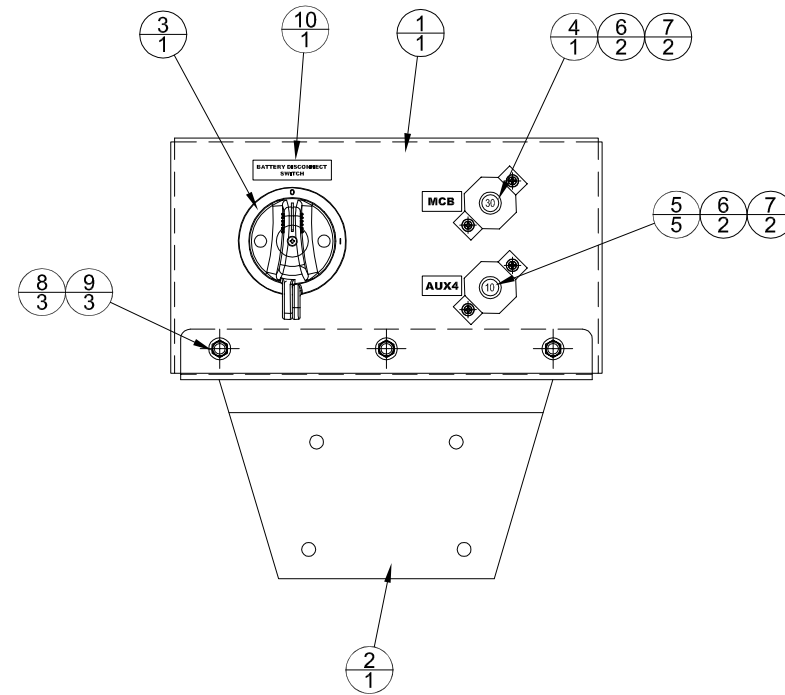
NOTE	ITEM	QTY	MEAS UNIT	CAT PART NO.	ALTORFER PART NO.	NAME
PARTS LIST						
	1	1			71C115-01	PANEL - STARTER BOX
	2	1			71C116	MOUNTING BRACKET - STARTER BOX
	3	1		369-4098		SWITCH ASSY. - MASTER DISCONNECT
	4	1		6N-9349		BREAKER ASSY.- CIRCUIT (30 AMP)
	5	1		6T-3642		BREAKER ASSY.- CIRCUIT (10 AMP)
	6	4		156-6451		SCREW - PHILLIPS PAN HEAD (SS) 8-32 X 1"
	7	4		096-6166		WASHER - FLAT #8
	8	3		235-4451		BOLT - FLANGE HEAD M6X1 25.4MM LONG
	9	3		099-6418		NUT - FLANGE HEAD M6X1
	10	1			71E111	FILM GROUP - IDENT (CB IDENT)



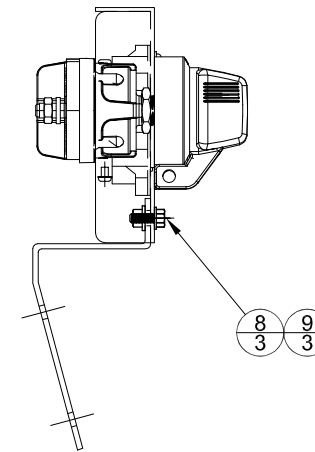
TOP VIEW



LEFT SIDE VIEW



FRONT VIEW



RIGHT SIDE VIEW

FINISH	1E1952H	PAINT - SUPERIOR PERFORMANCE TOPCOAT FOR METALLIC SUBSTRATES
MATERIAL	1E0166	STEEL - CARBON (SAE 1008 MODIFIED)
REFERENCE	1E0507	IDENT
	1E0011	INTPR & TOL
		MANUFACTURING SPECIFICATIONS

DATE		BY		ALTORFER POWER SYSTEMS		
08/20/2016	D. ROLING			6315 W. FAUBER RD.	PHONE (309) 697-1234	
				BARTONVILLE, IL 61607	FAX (309) 282-7546	
THIS DOCUMENT CONTAINS PROPRIETARY INFORMATION OF ALTORFER, INC. WITHOUT THE WRITTEN PERMISSION OF ALTORFER, INC., ANY COPYING OR OTHER USE EXCEPT THAT FOR WHICH IT WAS INTENDED IS PROHIBITED						
REMOVE MOUNTING HARDWARE	ALL DIMENSIONS IN INCHES UNLESS OTHERWISE SPECIFIED		FILE	PROJECT REFERENCE		
			DF/71E	APS470G RENTAL UNIT		
	TOLERANCES:	THIRD ANGLE PROJECTION	SCALE/SHEET SIZE	DRAWN BY		
	X.X ± 0.100		1=5/B	D. ROLING		
X.XX ± 0.060	SHEET		DATE	PROTO	PET	PROD
X.XXX ± 0.005		1 OF 1	07/27/2016	X	X	0
ANGULAR ± 1°				DRAWING NUMBER		
TITLE	CONTROL GP-STARTING				71E110-01	