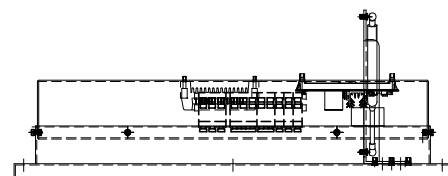
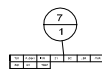


INCH 71E101-02



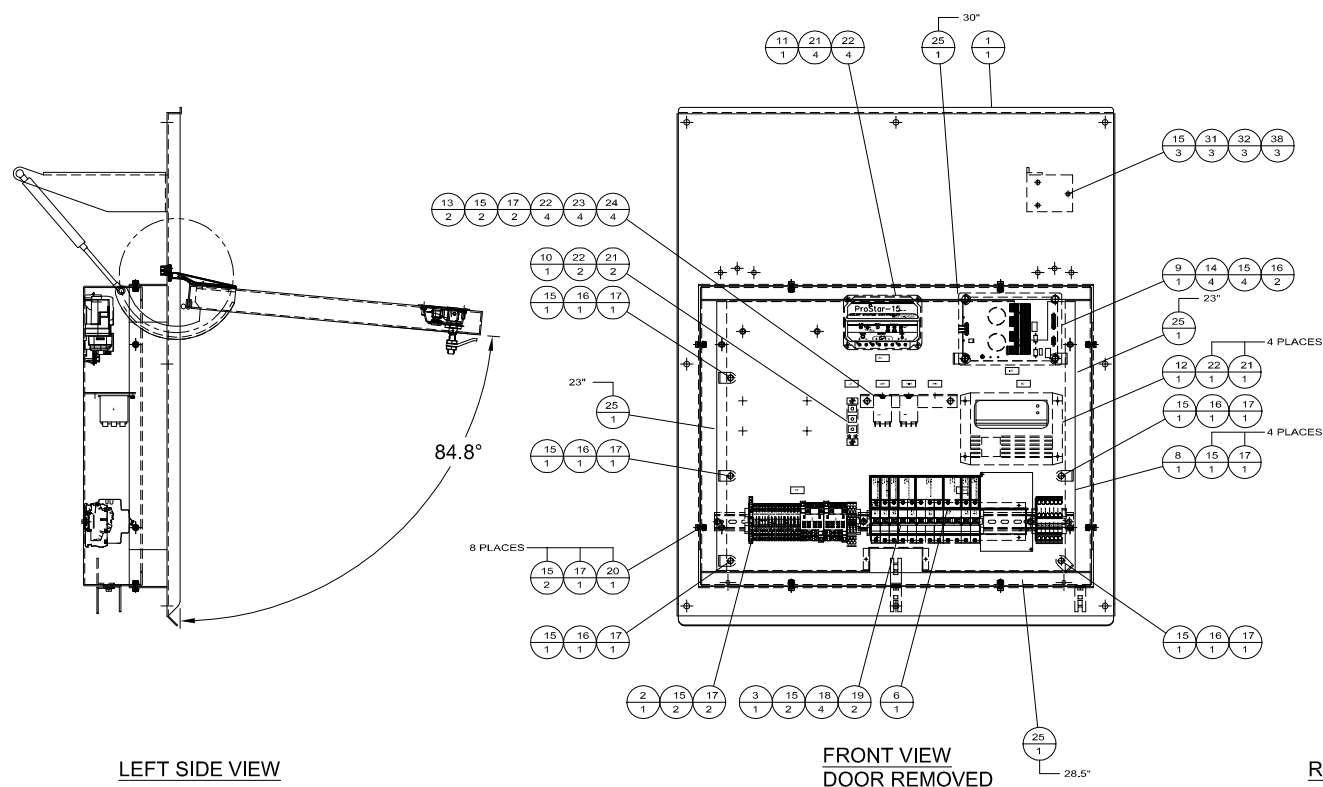
TOP VIEW

TORQUE VALUES

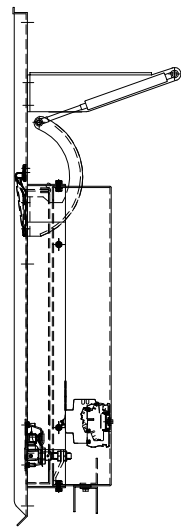
1/4" - 12 ± 3Nm
 M6 - 12 ± 3Nm
 #6-32 - 2.1 ± 0.4Nm
 M4 - 1.7 ± 0.4Nm

NO	ITEM	QTY	MEAS UNIT	CAT PART NO.	ALTORFER PART NO.	NAME
PARTS LIST						
1	1				71E102	POWER DISTRIBUTION METAL GP
2	1				71E105	BLOCK AS. - DC DISTRIBUTION
3	1				71E107	BLOCK AS. - AC DISTRIBUTION
4	1				68E425	BLACK DOOR LATCH (T-HANDLE)
5	1				68E429	DOOR SPRING GP.
6	1				71E109	FILM - IDENT (DC/AC BLOCK AS)
7	1				68E351	FILM - IDENT COMPONENT
8	1				71E104	DEADFRONT - POWER DISTRIBUTION
A	9			398-7247		REGULATOR GP (IVR EM10)
10	1			462-9238		DIODE
11	1			363-0371		SOLAR CONTROLLER
12	1			68E396		BATTERY CHARGER
13	2			138-3809		RELAY - POWER
14	4			8C-8451		BOLT - M6x1 - 40Lg
15	44			8T-4205		WASHER
16	11			156-6175		CLIP - LADDER
17	23			8T-4138		BOLT - M6x1 - 20Lg
18	4			198-4765		SPACER
19	2			8T-4971		BOLT - M6x1 - 30Lg
20	10			5C-2890		NUT - M6x1
21	10			6V-9492		BOLT M4X0.7 20Lg
22	14			3B-4501		WASHER M4
23	4			6V-9672		BOLT M4X0.7 16Lg
24	4			5C-8312		NUT M4x0.7
25	104.5	in		D-2685		DOOR GASKET - 3/4"
26	2			317-5796	BLACK HINGE	XQ DOOR HINGE
27	2			317-5798		GASKET - HINGE
28	2			317-5797		GASKET - HINGE
29	12			317-5697	51482	SCREW- COUNTERSUNK 1/4-20x1Lg SS
30	3			317-5700	276420	NEOPRENE FLATWASHER
31	9			6V-8185		NUT - 1/4-20
32	3			90185A540		1/4"-20THDx0.75" CARRIAGE BOLT
33	29	in		3E-6697		TRIMLOK - BEADED
34	50	in		3E-6600		TRIMLOK
35	1				71E117	HARNES AS. - MAIN DC
36	1				71E135	HARNES AS. - IVR AC
37	1				71E118	HARNES AS. - SHORE POWER
38	6			317-5698		WASHER - LOCK
39	1			0221241		WHITE SIKAFLEX - TUBE

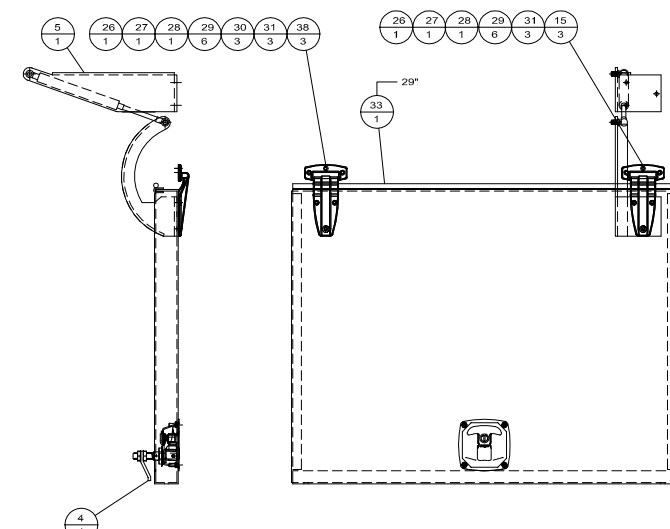
ASSEMBLY WEIGHT: 161 Lbs



FRONT VIEW DOOR REMOVED



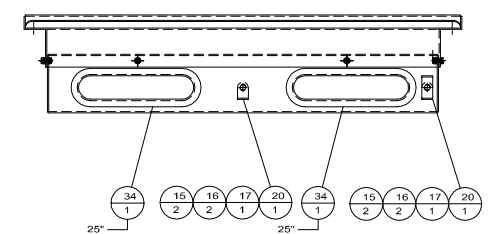
RIGHT SIDE VIEW



DOOR ASSEMBLY VIEW

NOTE A: SUPPLIED WITH GENERATOR FROM LEROY SOMER
 REFERENCE ASSEMBLY DWG 68E424

FOR USE WITH:
 APS375G



12/16/16 DKR	9/21/16 DKR	DATE	BY		ALTORFER POWER SYSTEMS 6315 W. FAUBER RD. BARTONVILLE, IL 61607 PHONE (309) 697-1234 FAX (309) 282-7546	
THIS DOCUMENT CONTAINS PROPRIETARY INFORMATION OF ALTORFER, INC. WITHOUT THE WRITTEN PERMISSION OF ALTORFER, INC., ANY COPYING OR OTHER USE EXCEPT THAT FOR WHICH IT WAS INTENDED IS PROHIBITED						
PRO TO UPDATE	CORRECT BATT CHARGER HOLE SPACING	CHANGE NOTICE		ALL DIMENSIONS IN INCHES UNLESS OTHERWISE SPECIFIED TOLERANCES: X.X ± 0.100 X.XX ± 0.060 X.XXX ± 0.005 ANGULAR ± 1°	FILE: DF/71E SCALE/SHEET SIZE: 1=15/B SHEET: 1 OF 1	PROJECT REFERENCE: APS470G RENTAL UNIT DRAWN BY: D. RICHARDSON DATE: 7/26/2016
4	3	2	1	TITLE: MODULE GP. - POWER DISTRIBUTION		QUOTE NUMBER: - WORK ORDER NUMBER: - DRAWING NUMBER: 71E101-02