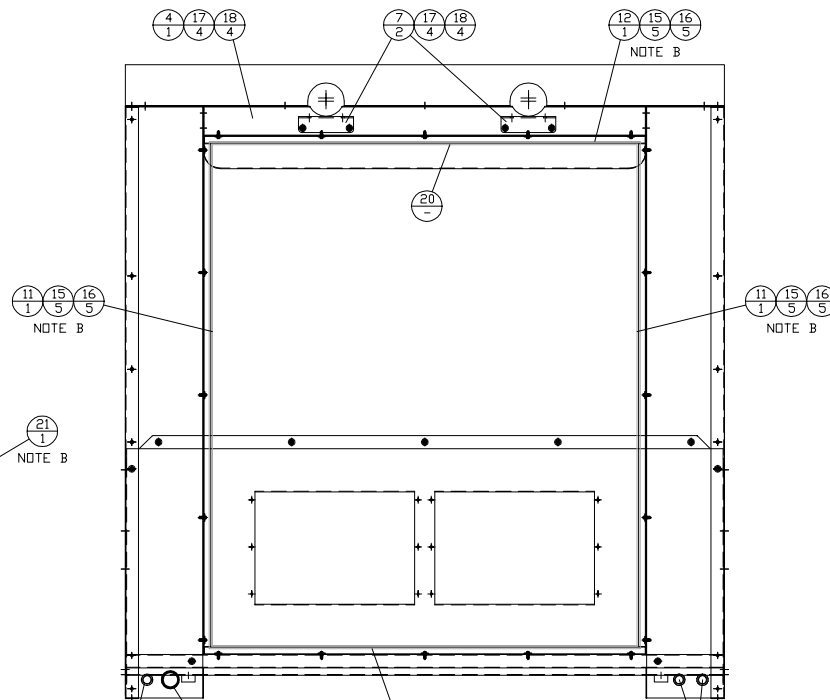
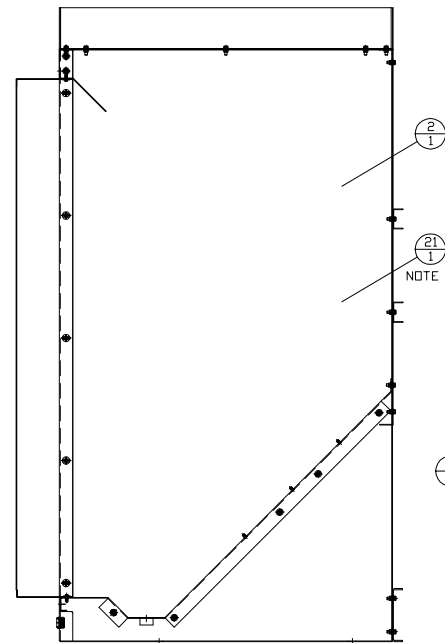


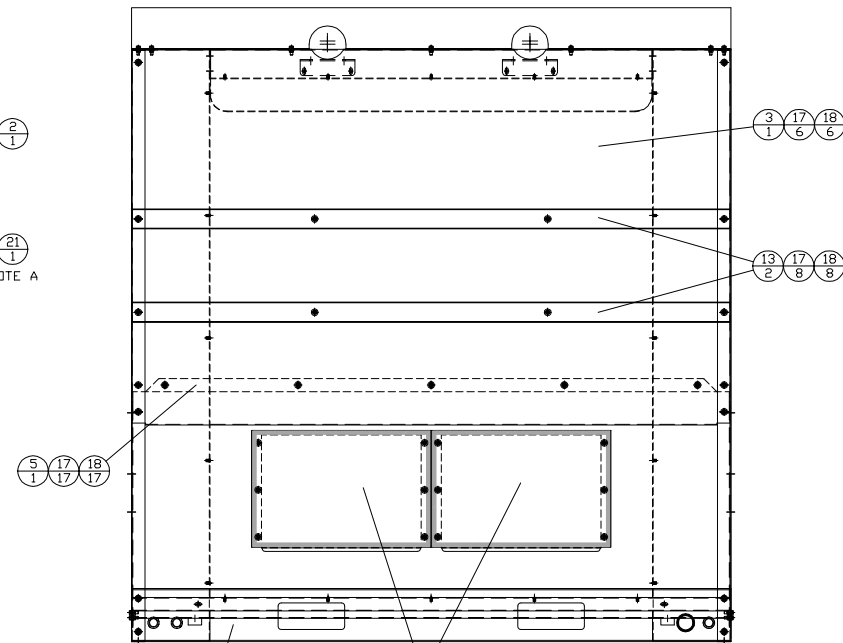
LEFT VIEW



FRONT VIEW



RIGHT VIEW



REAR VIEW

ITEM	QTY.	PART No.	DESCRIPTION	WEIGHT
1	1	71D131	EXHAUST DUCT-LH SIDE	185
2	1	71D132	EXHAUST DUCT-RH SIDE	185
3	1	71D133	EXHAUST DUCT-FRONT	164
4	1	71D134	EXHAUST DUCT-ABOVE RADIATOR	32
5	1	71D135	EXHAUST DUCT-BOTTOM	198
6	1	71D136	EXHAUST DUCT-BOTTOM STIFFENER	28
7	2	71D137	EXHAUST DUCT-HANGER MOUNT	6
8	2	71D138	EXHAUST DUCT-ROOF FLASHING SIDES	26
9	1	71D139	EXHAUST DUCT-ROOF FLASHING REAR	23
10	1	71D140	EXHAUST DUCT-ROOF FLASHING FRONT	23
11	2	71D141	EXHAUST DUCT-FLASHING SIDES	44
12	2	71D142	EXHAUST DUCT-RADIATOR FLASHING TOP/BOTTOM	38
13	2	70D111	EXHAUST DUCT-STIFFENER	30
14	2	57D206	EXHAUST DUCT-ACCESS COVER	44
15	32	5P-2534	BOLT-FLANGED 1/4"-20NCx1.00"	-
16	32	317-5700	WASHER-NEOPREME-1/4"	-
17	59	345-8531	BOLT-FLANGED 3/8"-16NCx1.00"	-
18	59	198-2970	NUT-FLANGED 3/8"-16NC	-
19	TBD	STICKERTITE	GASKET-3/4" BLACK NEOPREME-xxx'	-
20	300'	3E-6697	TRIMLOCK-BEADED-xxx'	-
21	1	0221241	SEALANT-WHITE	-
22	3	ECHA11	1.00" OZ BUSHING - MALE	-
23	3	ECHA241	1.00" OZ BUSHING - FEMALE	-
24	1	ECHA12	2.00" OZ BUSHING - MALE	-
25	1	ECHA242	2.00" OZ BUSHING - FEMALE	-

TOTAL WEIGHT = 1026 lbs.

NOTE A: CAULK ALL INTERIOR SEAMS INSIDE EXHAUST DUCT AFTER ASSEMBLY IS COMPLETED
 NOTE B: LEAVE RADIATOR FLASHING PIECES (QTY. 4) LOOSE
 NOTE C: DO NOT INSTALL EXHAUST DUCT ROOF FLASHING PIECES (QTY. 4)

10/18/16	DATE	BY	ALTORFER		ALTORFER POWER SYSTEMS	
			6315 W. FAUBER RD.		PHONE (309) 697-1234	
			BARTONVILLE, IL 61807		FAX (309) 282-7546	
THIS DOCUMENT CONTAINS PROPRIETARY INFORMATION OF ALTORFER, INC. WITHOUT THE WRITTEN PERMISSION OF ALTORFER, INC., ANY COPYING OR OTHER USE EXCEPT THAT FOR WHICH IT WAS INTENDED IS PROHIBITED						
ALL DIMENSIONS IN INCHES UNLESS OTHERWISE SPECIFIED			FILE	PROJECT REFERENCE		
			DF/71D	APS470G EXHAUST DUCT ASSEMBLY		
TOLERANCES:			THIRD ANGLE PROJECTION	SCALE/SHEET SIZE	DRAWN BY	ENGINEERING STATUS
XXX ± 0.100				1=20/C	BML	PROTO PET PRD
XXX ± 0.050						X X -
ANGULAR ± 1°				SHEET	DATE	DRAWING NUMBER
				1 OF 1	09/07/16	71D130-1
TITLE			DUCT ASSEMBLY-EXHAUST			