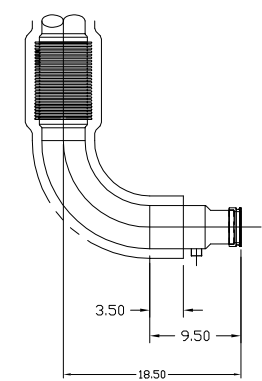
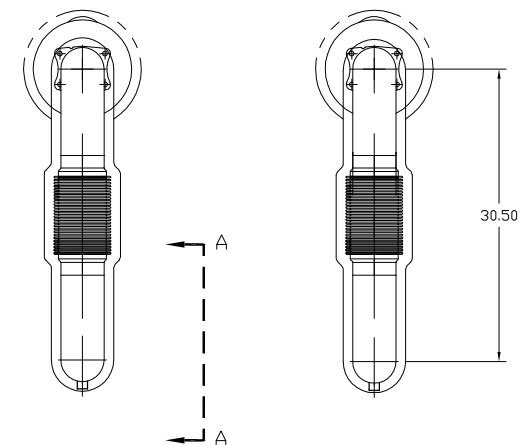
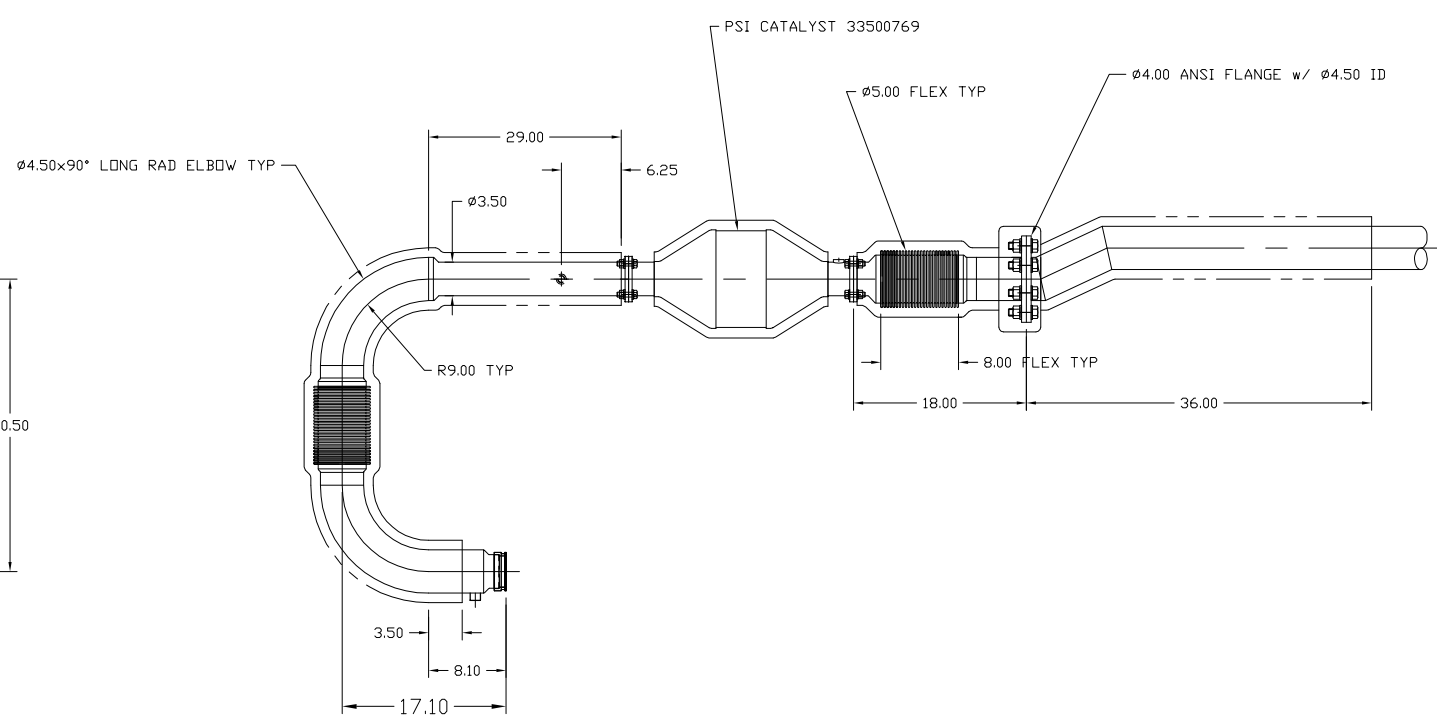
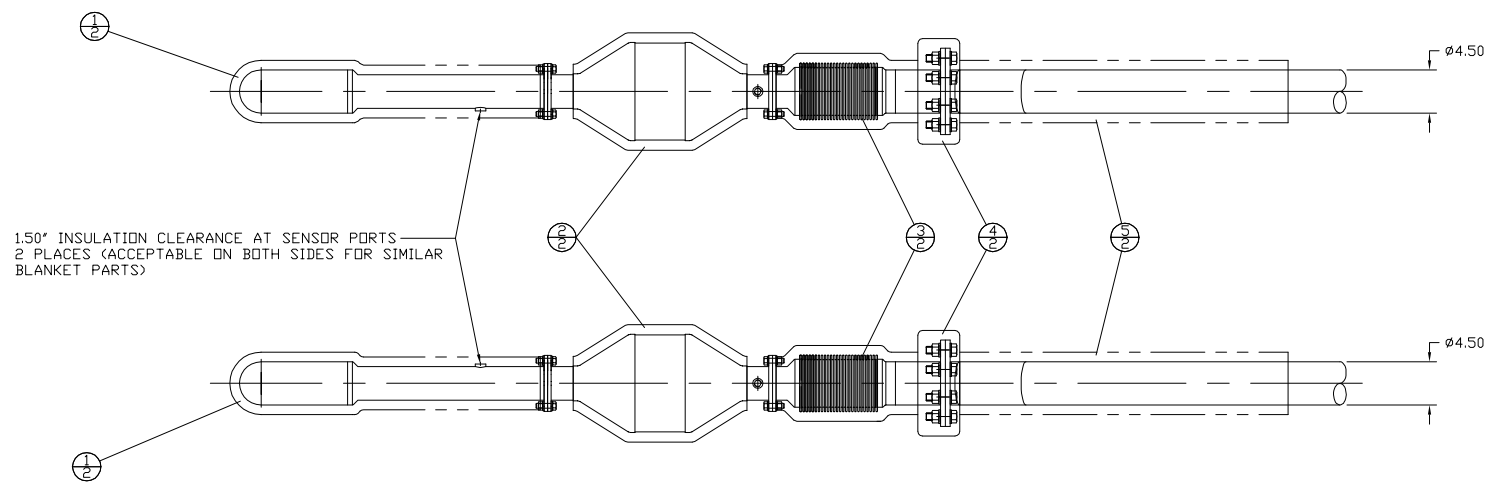


ITEM	QTY.	PART No.	DESCRIPTION	WEIGHT
1	2	71D116	BLANKET-ENGINE FLEX	
2	2	71D117	BLANKET-CATALYST	
3	2	71D118	BLANKET-CATALYST FLEX	
4	2	71D119	BLANKET-FLANGE	
5	2	71D120	BLANKET-EXHAUST PIPE	



NOTE A: ALL BLANKETS TO HAVE SPRING CLIP ATTACHEMENT AND MARKED WITH APPROPRIATE PART NUMBER

SUPPLIER REF No.: W-APS375G

08-29-16 KKN	DATE	<b>ALTORFER POWER SYSTEMS</b> 6315 W. FAUBER RD. PHONE (309) 697-1234 BARTONVILLE, IL 61607 FAX (309) 282-7546			
	BY				
1 REV'D PER ENG MFG REQUEST CHANGE NOTICE	THIS DOCUMENT CONTAINS PROPRIETARY INFORMATION OF ALTORFER, INC. WITHOUT THE WRITTEN PERMISSION OF ALTORFER, INC., ANY COPYING OR OTHER USE EXCEPT THAT FOR WHICH IT WAS INTENDED IS PROHIBITED		ALL DIMENSIONS IN INCHES UNLESS OTHERWISE SPECIFIED		
	TOLERANCES: .XX ± 0.100 .XXX ± 0.060 .XXXX ± 0.005 ANGULAR ± 1°	THIRD ANGLE PROJECTION	FILE DF/71D	PROJECT REFERENCE APS470G RENTAL PACKAGE	
	SCALE/SHEET SIZE 1=10/D	SHEET 1 OF 1	DRAWN BY K NUNN	ENGINEERING STATUS PRTO PET PROD X X 0	
	DATE 07-29-16	TITLE BLANKET GP-EXHAUST		DRAWING NUMBER 71D115-1	