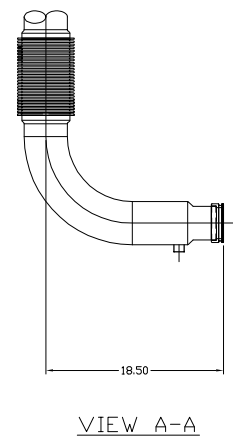
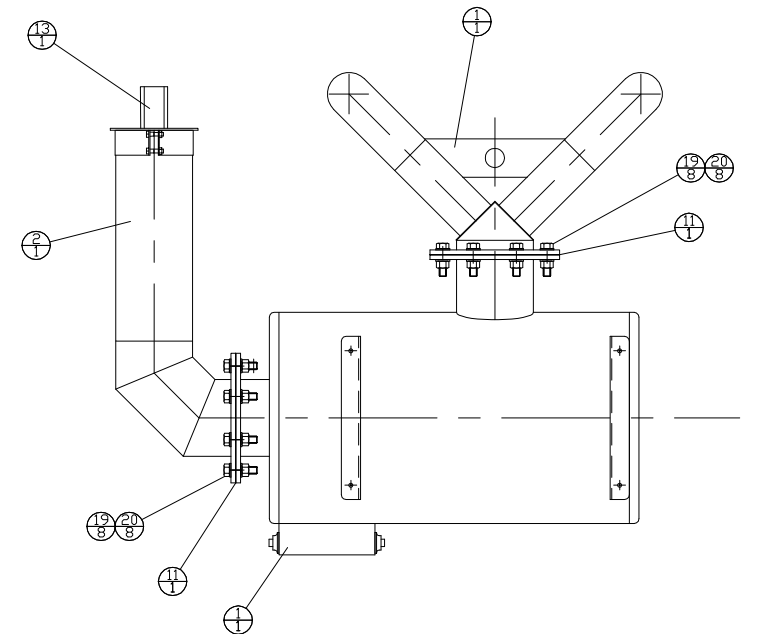
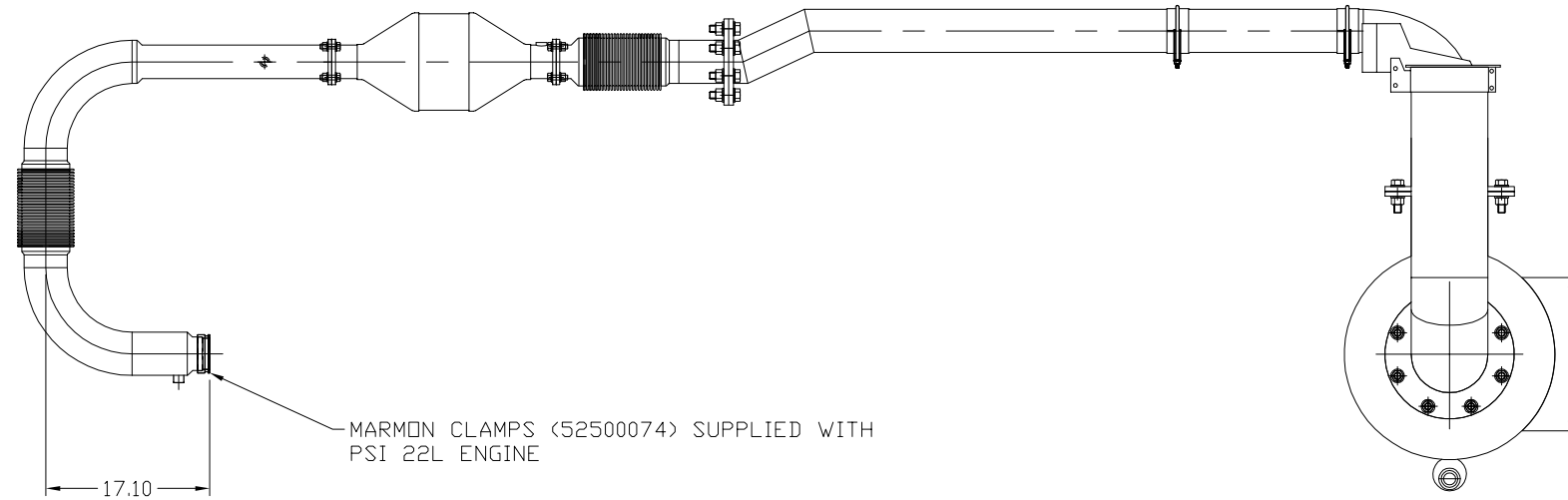
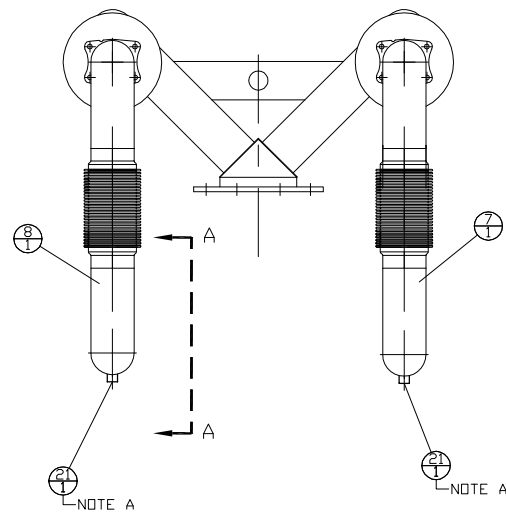


ITEM	QTY.	PART No.	DESCRIPTION	WEIGHT
1	1	71D100	SILENCER AS-EXHAUST	
2	1	71D102	PIPE AS-EXHAUST ELBOW	
3	1	71D103	PIPE AS-EXHAUST WYE	
4	2	71D104	PIPE AS-EXHAUST	
5	2	71D105	PIPE AS-EXHAUST	
6	2	71D106	FLEX AS-EXHAUST	
7	1	71D107	FLEX AS-ENGINE EXHAUST RH	
8	1	71D108	FLEX AS-ENGINE EXHAUST LH	
9	4	71D109	GASKET-PSI CATALYST	
10	2	71D110	GASKET-EXHAUST Ø4.50 ID	
11	2	71D111	GASKET-EXHAUST 8" ANSI	
12	4	71D112	CLAMP-EXHAUST	
13	1	71D113	CAP AS-EXHAUST	
14	16	70161	BOLT-5/16-14NCx2.0 18-8 SS	
15	16	70713	NUT-5/16 NC GRADE 18-8 SS	
16	32	78019	WASHER-SS FLAT	
17	16	70311	BOLT-5/8-11NCx2.0 18-8 SS	
18	16	70716	NUT-5/8-11 NC GRADE 18-8 SS	
19	16	70361	BOLT-3/4-10NCx2.0 18-8 SS	
20	16	70717	NUT-3/4-10 NC GRADE 18-8 SS	
21	2	0464288	PLUG- 1/2-14 NPT SS	



NOTE A: APPLY GRAPHITE ANTI SEIZE

SUPPLIER REF No.: P-APS375G

08-23-16 KKN	08-17-16 KKN	DATE BY	ALTORFER			ALTORFER POWER SYSTEMS		
			6315 W. FAUBER RD. BARTONVILLE, IL 61607			PHONE (309) 697-1234 FAX (309) 282-7546		
THIS DOCUMENT CONTAINS PROPRIETARY INFORMATION OF ALTORFER, INC. WITHOUT THE WRITTEN PERMISSION OF ALTORFER, INC., ANY COPYING OR OTHER USE EXCEPT THAT FOR WHICH IT WAS INTENDED IS PROHIBITED			FILE			PROJECT REFERENCE		
ALL DIMENSIONS IN INCHES UNLESS OTHERWISE SPECIFIED			DF/71D			APS470G RENTAL PACKAGE		
TOLERANCES: XX ± 0.100 XXX ± 0.060 XXXX ± 0.005			THIRD ANGLE PROJECTION			SCALE/SHEET SIZE		
ANGULAR ± 1°			SHEET			DATE		
TITLE			1 OF 1			07-28-16		
NO.			LINES GP-EXHAUST			DRAWING NUMBER		
						71D114-2		