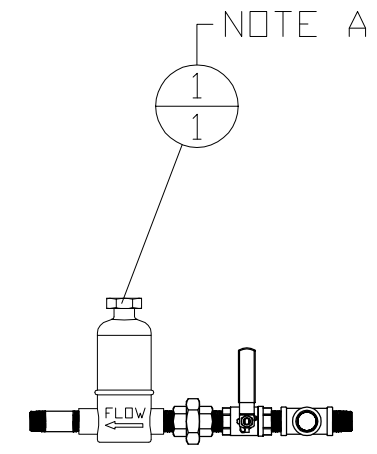
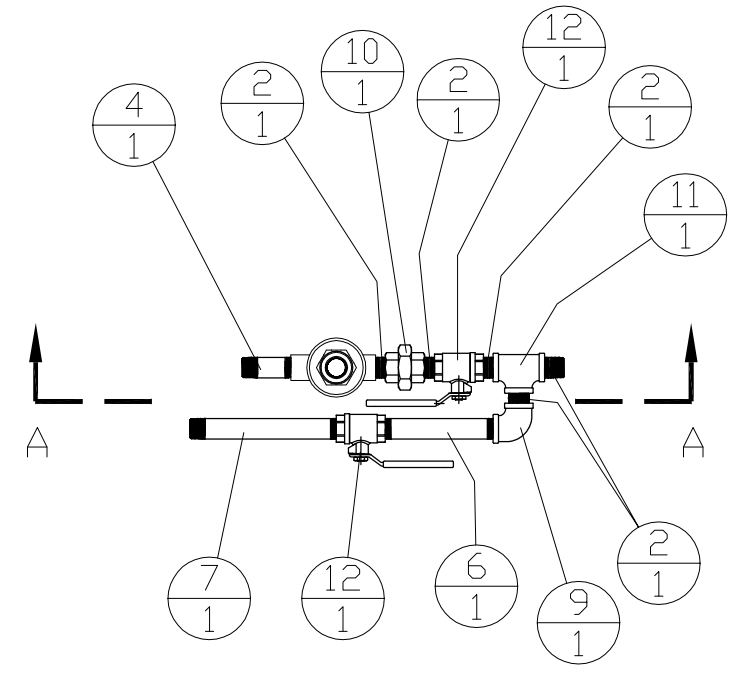
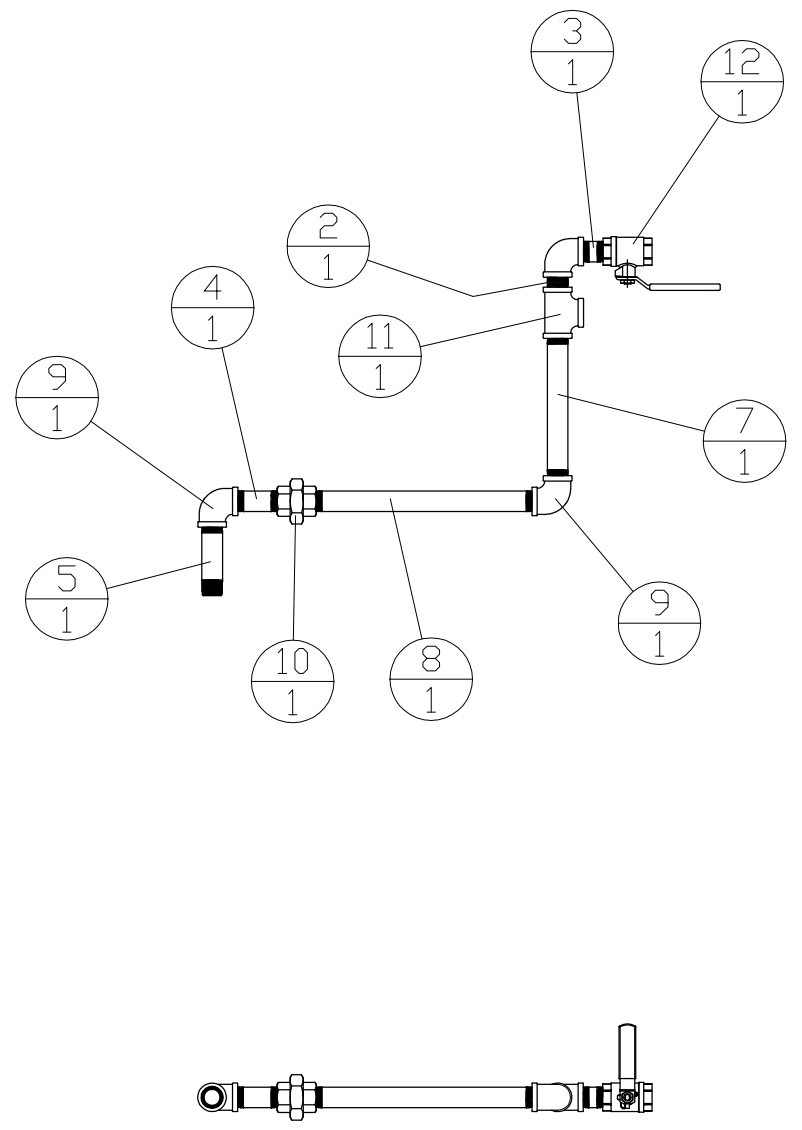


ITEM	QTY.	PART No.	DESCRIPTION
1	1	181-LD	DRAIN TRAP-AUTO (1/8" ORIFICE)
2	6	44615K425	NIPPLE-3/4 NPT x 1.50 Lg
3	1	44615K435	NIPPLE-3/4 NPT x 2.00 Lg
4	2	44615K455	NIPPLE-3/4 NPT x 3.00 Lg
5	1	44615K465	NIPPLE-3/4 NPT x 4.00 Lg
6	1	44615K175	NIPPLE-3/4 NPT x 6.50 Lg
7	2	44615K525	NIPPLE-3/4 NPT x 8.00 Lg
8	1	44615K545	NIPPLE-3/4 NPT x 12.00 Lg
9	4	44605K115	ELBOW-3/4 NPTF
10	2	44605K195	UNION-3/4 NPTF
11	2	44605K155	TEE-3/4 NPTF
12	3	46325K29	VALVE-BALL 3/4 NPTF SS



SECTION A-A

NOTE A: INSTALL DRAIN TRAP WITH FLOW DIRECTION AS SHOWN  
 NOTE: SEAL ALL THREADED PIPE JOINTS WITH COMPLIANT NATURAL GAS SEALANT  
 NOTE: PAINT ALL BLACK PIPE FITTINGS CAT HIGLOSS BLACK  
 NO PAINT ON EXPOSED THREADS, DRAIN TRAP AND VALVES.

DATE BY		<b>ALTORFER POWER SYSTEMS</b> 6315 W. FAUBER RD.      PHONE (309) 697-1234 BARTONVILLE, IL 61807      FAX (309) 282-7546			
				THIS DOCUMENT CONTAINS PROPRIETARY INFORMATION OF ALTORFER, INC. WITHOUT THE WRITTEN PERMISSION OF ALTORFER, INC., ANY COPYING OR OTHER USE EXCEPT THAT FOR WHICH IT WAS INTENDED IS PROHIBITED	
CHANGE NOTICE	ALL DIMENSIONS IN INCHES UNLESS OTHERWISE SPECIFIED	FILE	PROJECT REFERENCE		
		DF/71C	APS470G RENTAL PACKAGE		
	TOLERANCES: X.X ± 0.100 X.XX ± 0.060 X.XXX ± 0.005	THIRD ANGLE PROJECTION	SCALE/SHEET SIZE	DRAWN BY	ENGINEERING STATUS
	ANGULAR ± 1'		1=10/B	K NUNN	PROT    PET    PROD
TITLE	SHEET		DATE	DRAWING NUMBER	
1	1 OF 1		02-09-17	X    X    0	
DRAIN ASSEMBLY-AUTO SYSTEM (APS470G)				71C138	