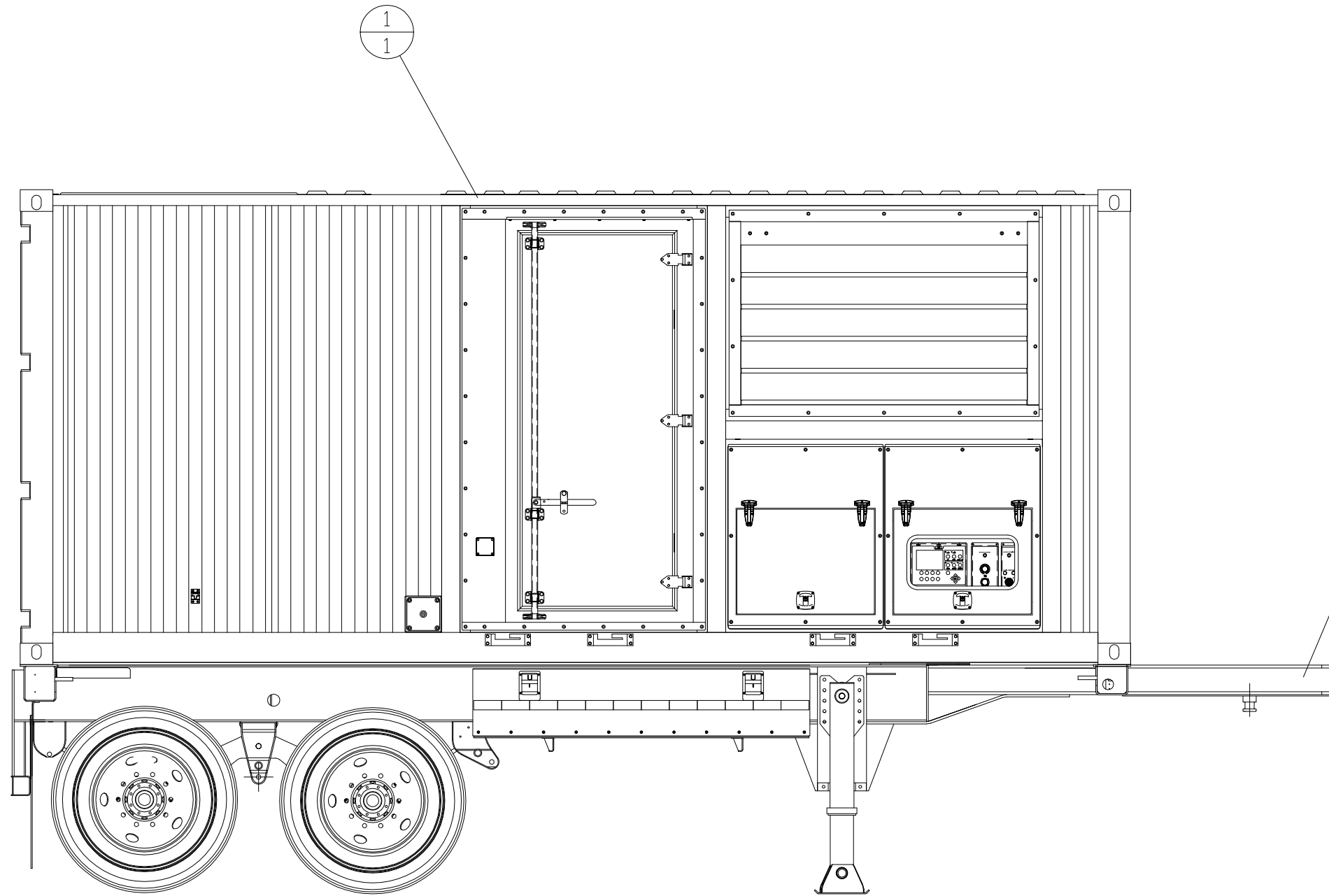


INCH 71A141

ITEM	QTY.	PART No.	DESCRIPTION
1	1	71D140	PACKAGE AR-APS470G (OIL FIELD)
2	1	71D137	TRANSPORT GP-AIR RIDE

PACKAGE AR W/ CHASSIS: 28,200 Lbs/12,791 Kg



DATE BY		ALTORFER		ALTORFER POWER SYSTEMS	
		6315 W. FAUBER RD. BARTONVILLE, IL 61807		PHONE (309) 697-1234 FAX (309) 282-7546	
THIS DOCUMENT CONTAINS PROPRIETARY INFORMATION OF ALTORFER, INC. WITHOUT THE WRITTEN PERMISSION OF ALTORFER, INC., ANY COPYING OR OTHER USE EXCEPT THAT FOR WHICH IT WAS INTENDED IS PROHIBITED					
ALL DIMENSIONS IN INCHES UNLESS OTHERWISE SPECIFIED		FILE	PROJECT REFERENCE		
		DF/71A	APS470G RENTAL PACKAGE		
TOLERANCES:	THIRD ANGLE	SCALE/SHEET SIZE	DRAWN BY	ENGINEERING STATUS	
XX ± 0.100	PROJECTION	1=20/C	K NUNN	PROG	PET
X.XXX ± 0.050				X	X
ANGULAR ± 1'		SHEET	DATE	PROD	
		1 OF 1	06-06-17	X	X
TITLE				DRAWING NUMBER	
PACKAGE AR-APS470G (OIL FIELD) w/ CHASSIS				71A141	