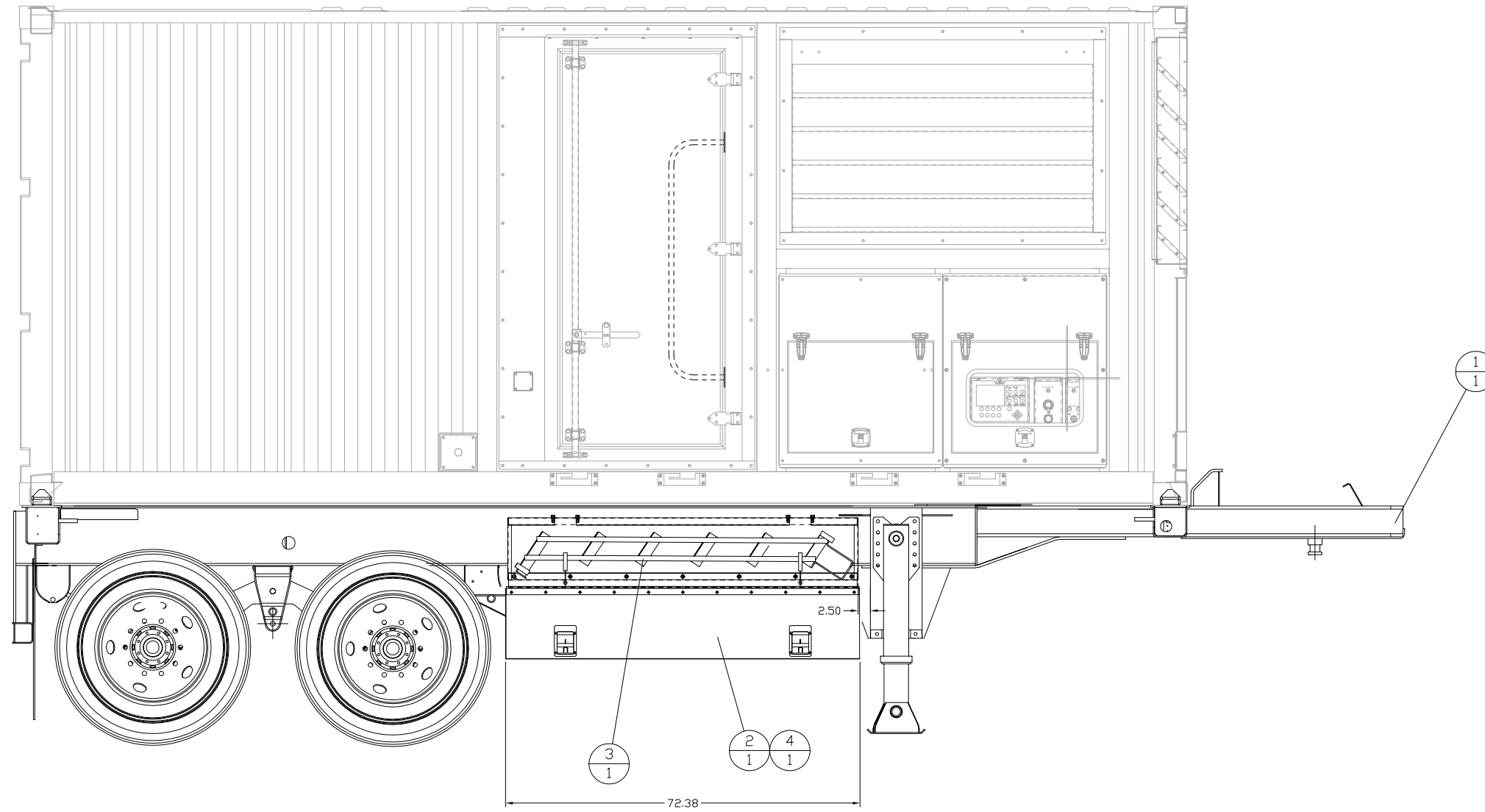


INCH 71A137

ITEM	QTY.	PART No.	DESCRIPTION
1	1	203610-A	CHASSIS GROUP-AIR RIDE
2	1	57A242	STORAGE GROUP-LADDER
3	1	57A243	LADDER GROUP-ACCESS
4	1	57A244	LOCK GROUP-TRANSPORT



CURB SIDE

DATE BY	ALTORFER		ALTORFER POWER SYSTEMS		
	6315 W. FAUBER RD. BARTONVILLE, IL 61807		PHONE (309) 697-1234 FAX (309) 282-7546		
CHANGE NOTICE	THIS DOCUMENT CONTAINS PROPRIETARY INFORMATION OF ALTORFER, INC. WITHOUT THE WRITTEN PERMISSION OF ALTORFER, INC., ANY COPYING OR OTHER USE EXCEPT THAT FOR WHICH IT WAS INTENDED IS PROHIBITED				
	ALL DIMENSIONS IN INCHES UNLESS OTHERWISE SPECIFIED	FILE	PROJECT REFERENCE		
	TOLERANCES: XX ± 0.100 XXX ± 0.050 X.XXX ± 0.005	THIRD ANGLE PROJECTION	SCALE/SHEET SIZE	DRAWN BY	ENGINEERING STATUS
	ANGULAR ± 1°		1=20/C	K NUNN	PROTO PET PRD X X 0
1	1	DF/71A	1 OF 1	02-08-17	DRAWING NUMBER 71A137
TITLE		TRANSPORT GROUP-AIR RIDE			