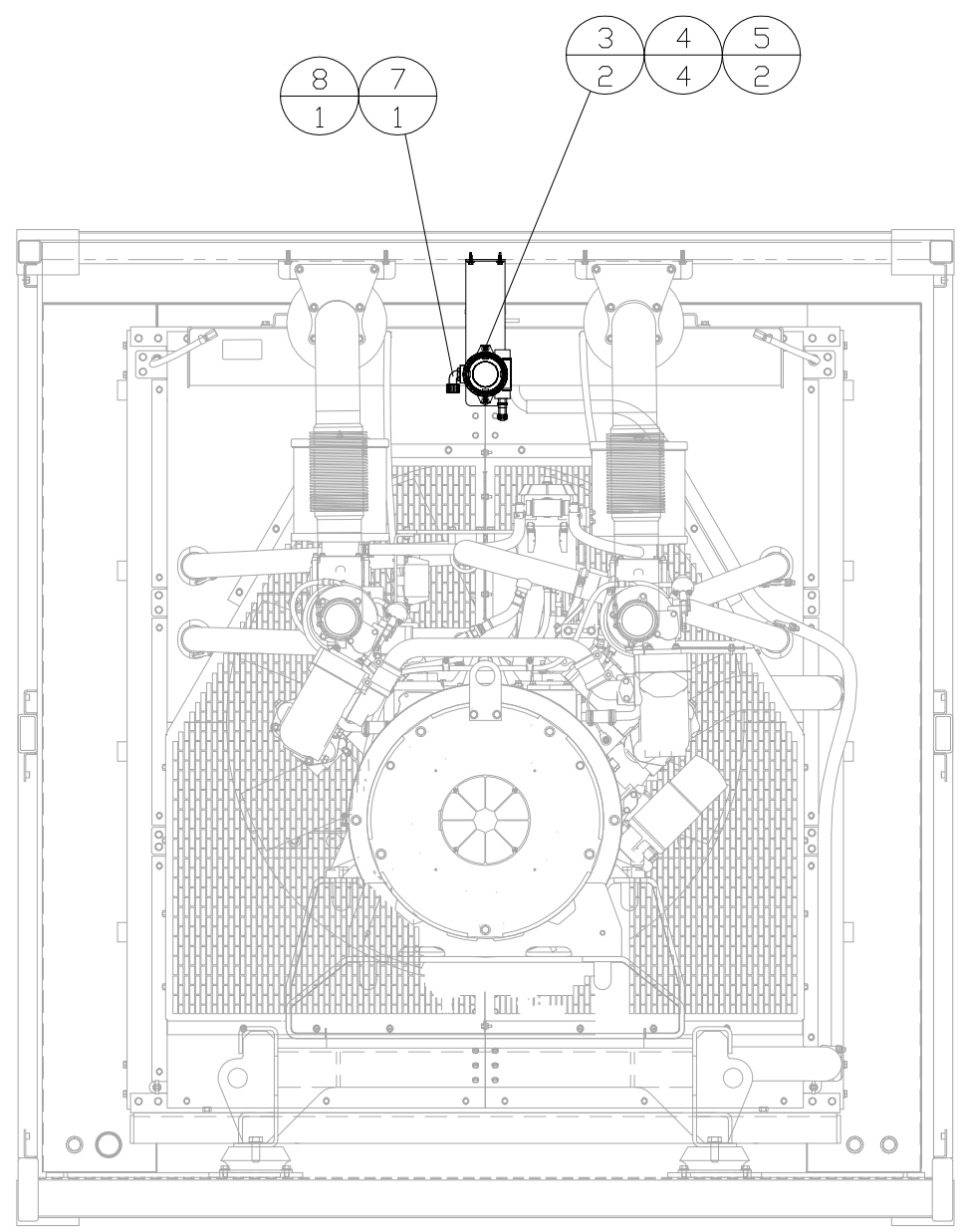
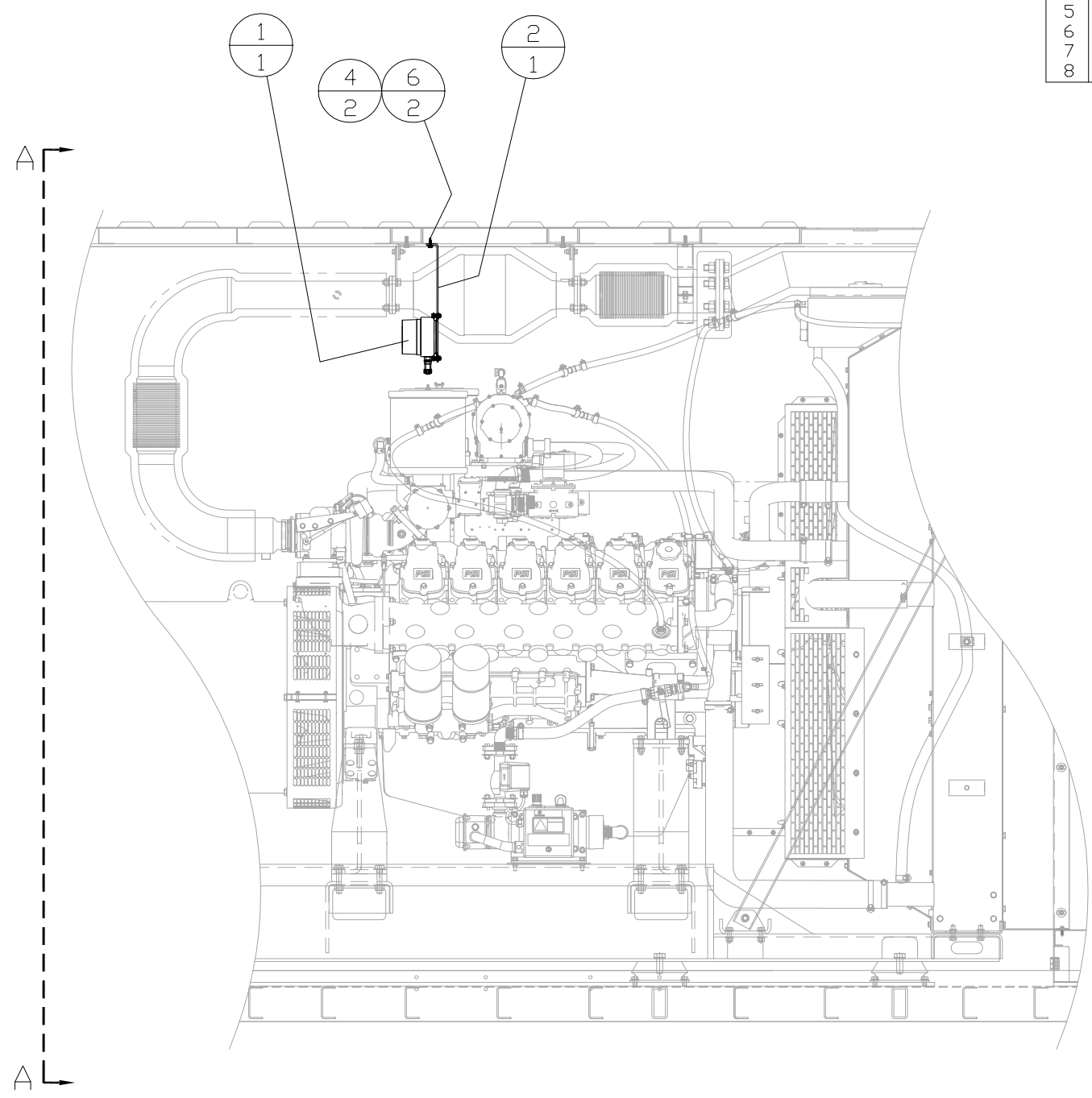


INCH 71A135-1

ITEM	QTY.	PART No.	DESCRIPTION
1	1	65-2640RK	DETECTOR-METHANE
2	1	71C132	MOUNT-DETECTOR
3	2	8T-8908	BOLT-1/4-20NCx1.00 Lg
4	6	5P-4115	WASHER-HARD
5	2	6V-8185	NUT-1/4-20NC
6	2	109-0147	SCREW-SELF TAPPING 1/4-20
7	1	8317K512	CORD GRIP-90° ELBOW
8	1	201-6327	REDUCER-CONDUIT 3/4"-1/2"



SECTION A-A



02/06/2017 B. REILING DATE BY		ALTORFER 6315 W. FAUBER RD. PHONE (309) 697-1234 BARTONVILLE, IL 61807 FAX (309) 282-7546		
THIS DOCUMENT CONTAINS PROPRIETARY INFORMATION OF ALTORFER, INC. WITHOUT THE WRITTEN PERMISSION OF ALTORFER, INC., ANY COPYING OR OTHER USE EXCEPT THAT FOR WHICH IT WAS INTENDED IS PROHIBITED				
ADD REDUCER BUSHING CHANGE NOTICE	ALL DIMENSIONS IN INCHES (UNLESS OTHERWISE SPECIFIED)	FILE DF/71A	PROJECT REFERENCE APS470G RENTAL PACKAGE	
	TOLERANCES: X.X ± 0.100 X.XX ± 0.060 X.XXX ± 0.005	THIRD ANGLE PROJECTION	SCALE/SHEET SIZE 1=20/B	DRAWN BY K NUNN
	ANGULAR ± 1°		SHEET 1 OF 1	DATE 02-08-17
	TITLE MOUNTING GROUP-METHANE DETECTOR		ENGINEERING STATUS PRD TO PET PRD X X X DRAWING NUMBER 71A135-1	