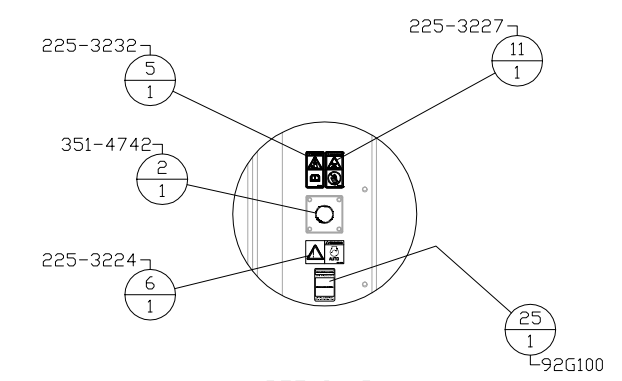
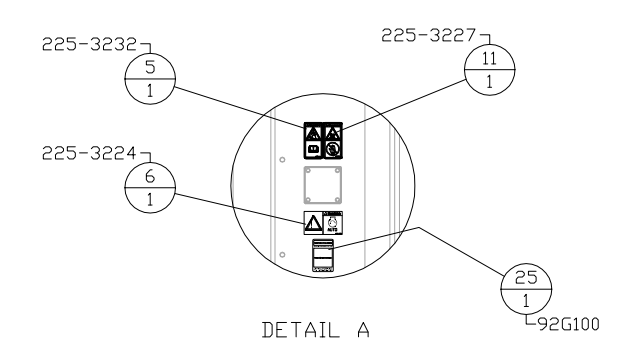
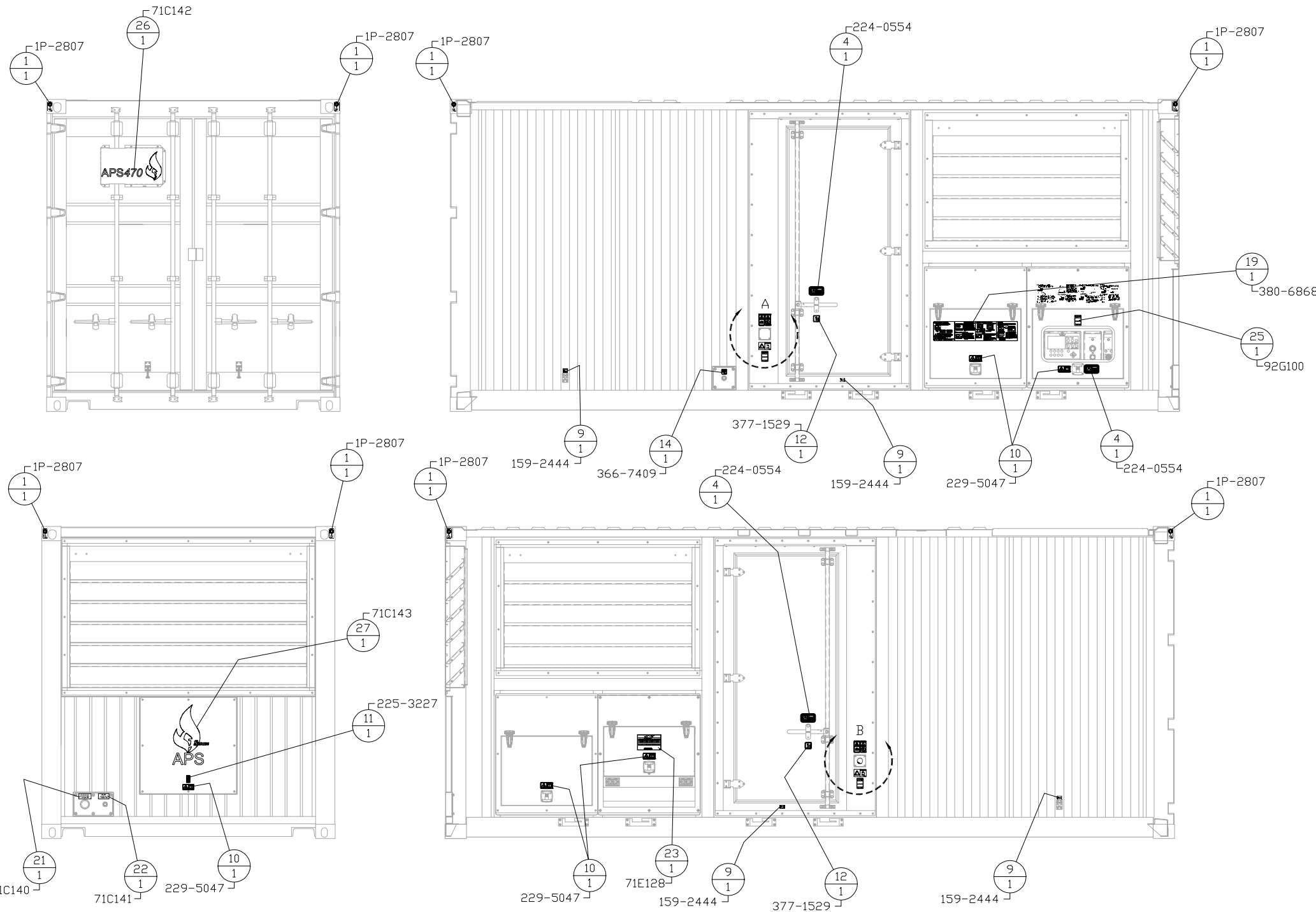
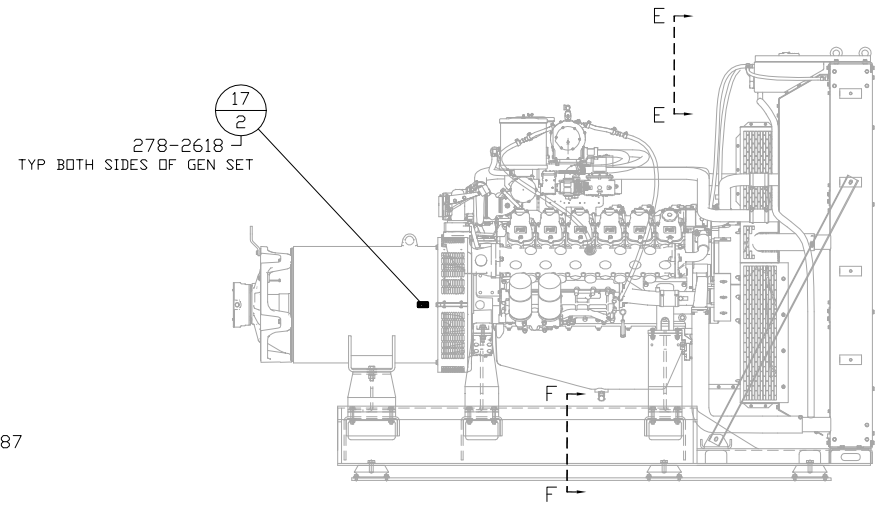
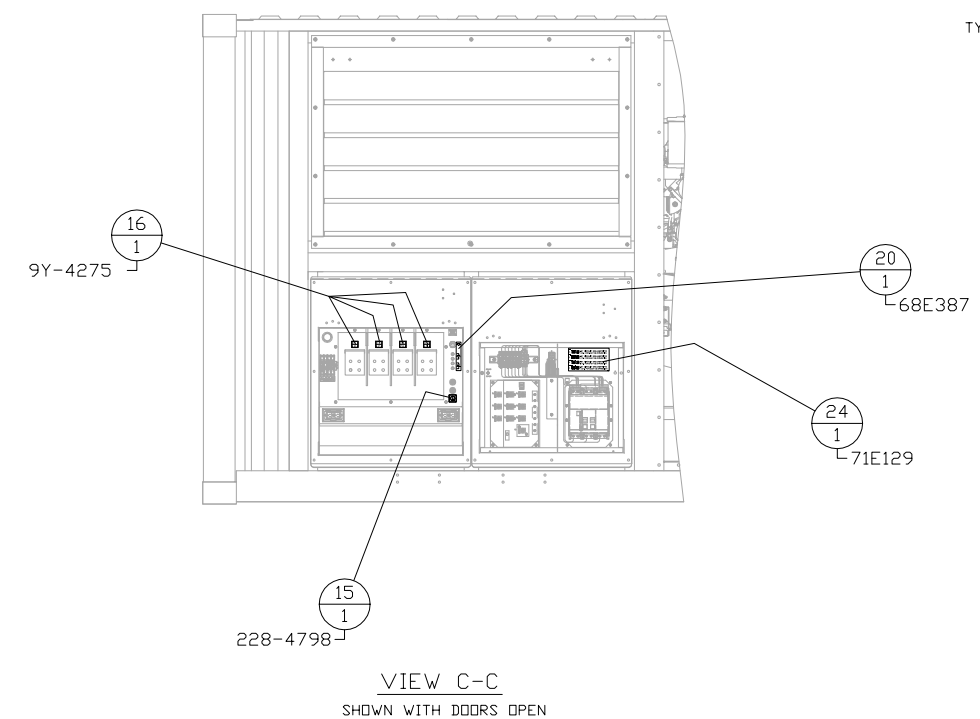
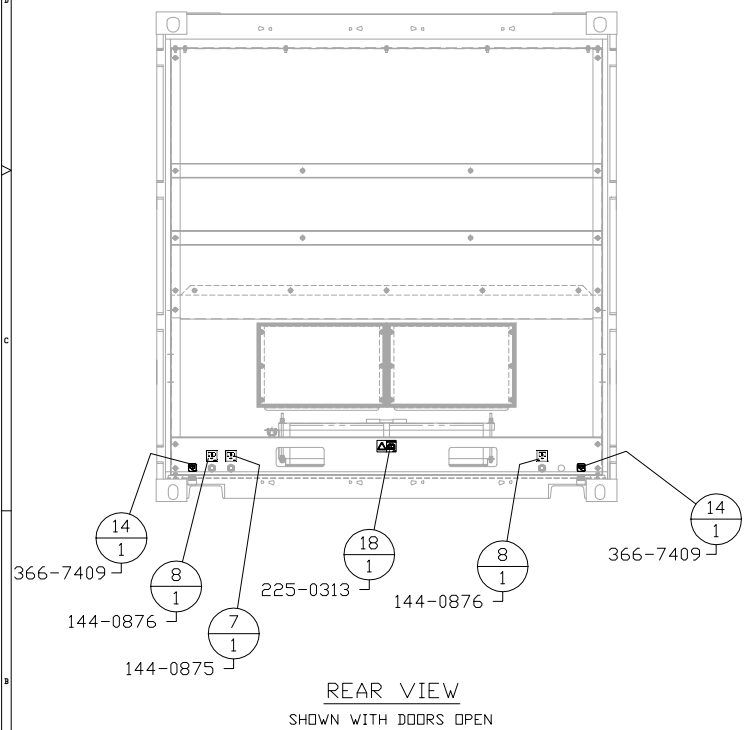
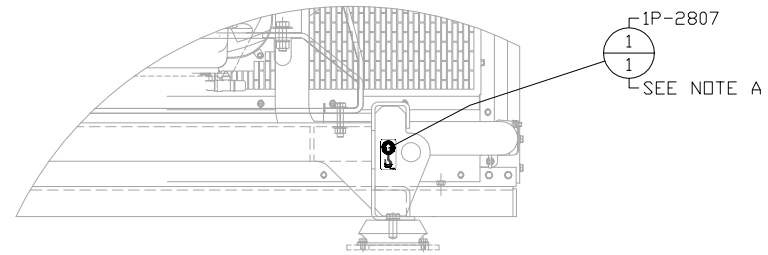
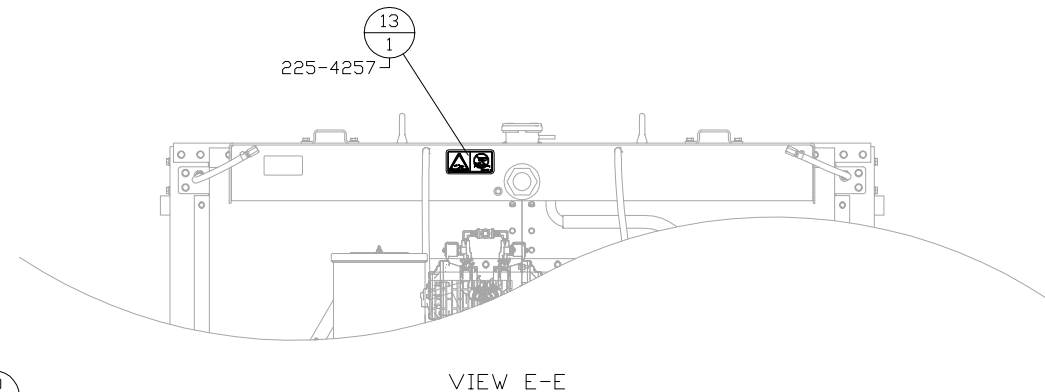
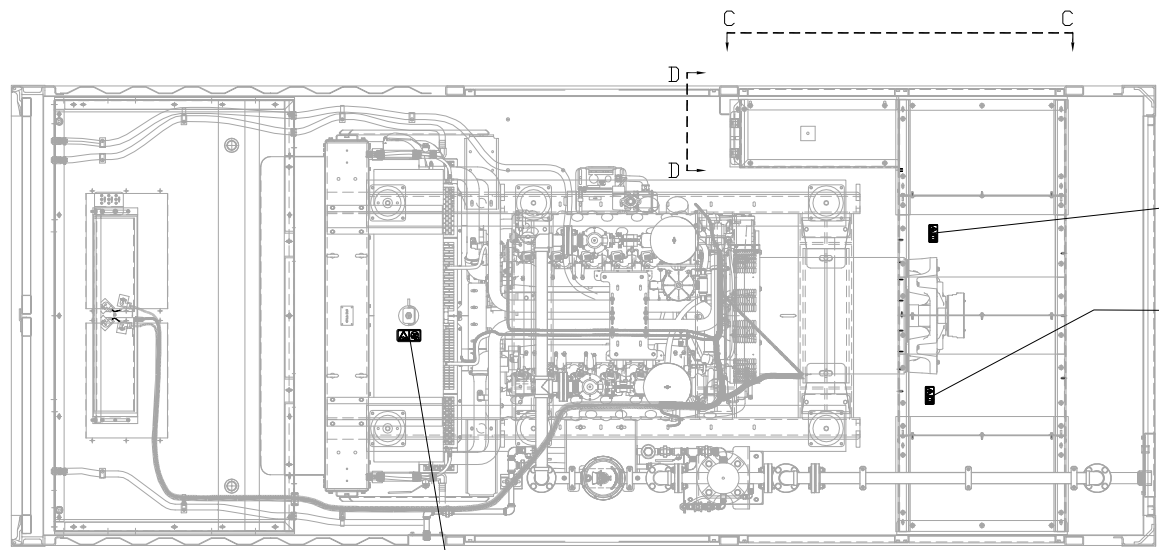
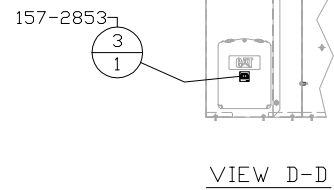


ITEM	QTY.	PART No.	DESCRIPTION
1	12	1P-2807	FILM-LIFT (MEDIUM)
2	1	351-4742	FILM-EMERGENCYSTOP (IDENT)
3	1	157-2853	FILM-OPERATORS MANUAL
4	3	224-0554	FILM-WARNING (UNIVERSAL)
5	2	225-3232	FILM-WARN CRUSH (FALLING OBJECT)
6	2	225-3224	FILM-WARN (AUTO START)
7	1	144-0875	FILM-INFO (OIL DRAIN)
8	2	144-0876	FILM-INFO (COOLANT DRAIN)
9	4	159-2444	FILM-INFO (DOOR LATCH)
10	7	229-5047	FILM-DANGER (SHOCK/ELEC HAZARD)
11	3	225-3227	FILM-WARN HAND (HDT SURFACE)
12	2	377-1529	FILM-FIRE EXTINGUISHER (IDENT)
13	2	225-4257	FILM-WARN HDT FLUID (UNDER PRESS)
14	3	366-7409	FILM-FLUID (DRAIN/EMPTY)
15	1	228-4798	FILM-GROUND (EARTH)
16	1	9Y-4275	FILM-TERMINAL STRIP
17	2	278-2618	FILM-GENERATOR FAN (ROTOR ROT)
18	1	225-0313	FILM-WARN (JUMP START)
19	1	380-6868	FILM-EMCP CONTROLS (INST)
20	1	68E387	FILM-ETHERNET/REMOTE START CONN
21	1	71C140	FILM-NATURAL GAS
22	1	71C141	FILM-LIQUID PROPANE
23	1	71E128	FILM-PACKAGE RATING (APS470G)
24	1	71E129	FILM-INFO (BREAKER SETTING)
25	3	92G100	FILM-ALTORFER QR
26	1	71C142	FILM-APS470G BADGE
27	1	71C143	FILM-APS G SERIES BRANDING



NOTE: ALL SAFETY FILMS RECEIVED IN 71A132BM

04-03-17	02-24-17	DATE	ALTORFER			ALTORFER POWER SYSTEMS		
KUN		DATE	6315 W. FAUBER RD.			PHONE (309) 697-1234		
KUN		DATE	BARTONVILLE, IL 61607			FAX (309) 262-7546		
THIS DOCUMENT CONTAINS PROPRIETARY INFORMATION OF ALTORFER, INC. WITHOUT THE WRITTEN PERMISSION OF ALTORFER, INC., ANY COPYING OR OTHER USE EXCEPT THAT FOR WHICH IT WAS INTENDED IS PROHIBITED.			FILE			PROJECT REFERENCE		
ALL DIMENSIONS IN INCHES UNLESS OTHERWISE SPECIFIED			DF/71A			APS470G RENTAL PACKAGE		
TOLERANCES: XX ± 0.100			SCALE/SHEET SIZE			DRAWN BY		
X.XX ± 0.060			1=20/D			K NUNN		
X.XXX ± 0.005			SHEET			DATE		
ANGULAR ± 1°			1 OF 2			02-20-17		
CHANGE NOTICE			DATE			PROG PET PROD		
1			02-24-17			X X 0		
TITLE			TRANSFER GROUP-APS470G			DRAWING NUMBER		
						71A132A-2		



NOTE A: PLACE ON LIFT EYE SURFACES FACING EACH OTHER

04-03-17 KCN	02-24-17 JNL	ALTORFER		ALTORFER POWER SYSTEMS	
THIS DOCUMENT CONTAINS PROPRIETARY INFORMATION OF ALTORFER, INC. WITHOUT THE WRITTEN PERMISSION OF ALTORFER, INC., ANY COPYING OR OTHER USE EXCEPT THAT FOR WHICH IT WAS INTENDED IS PROHIBITED.		6315 W. FAUBER RD. BARTONVILLE, IL 61607		PHONE (309) 697-1234 FAX (309) 262-7546	
FILE	PROJECT REFERENCE	ALL DIMENSIONS IN INCHES UNLESS OTHERWISE SPECIFIED			
DF/71A	APS470G RENTAL PACKAGE	TOLERANCES:	THIRD ANGLE PROJECTION	SCALE/SHEET SIZE	DRAWN BY
		XX ± 0.100		1=20/D	K NUNN
		.XXX ± 0.060		DATE	ENGINEERING STATUS
		.XXX ± 0.005		02-20-17	PROTO X PET X PROD 0
CHANGE NOTICE		ANGULAR ± 1°		TITLE	DRAWING NUMBER
1	CHGD QTY: 229-5047			TRANSFER GROUP-APS470G	71A132B-2