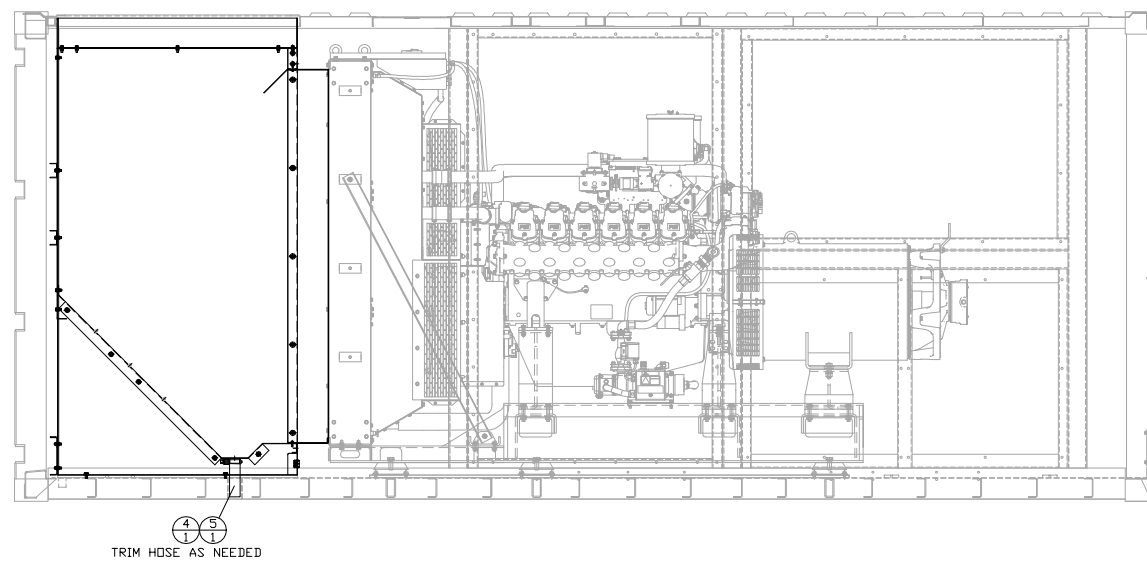
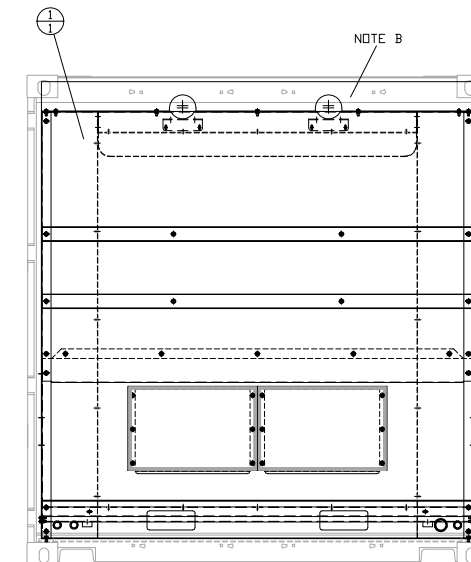
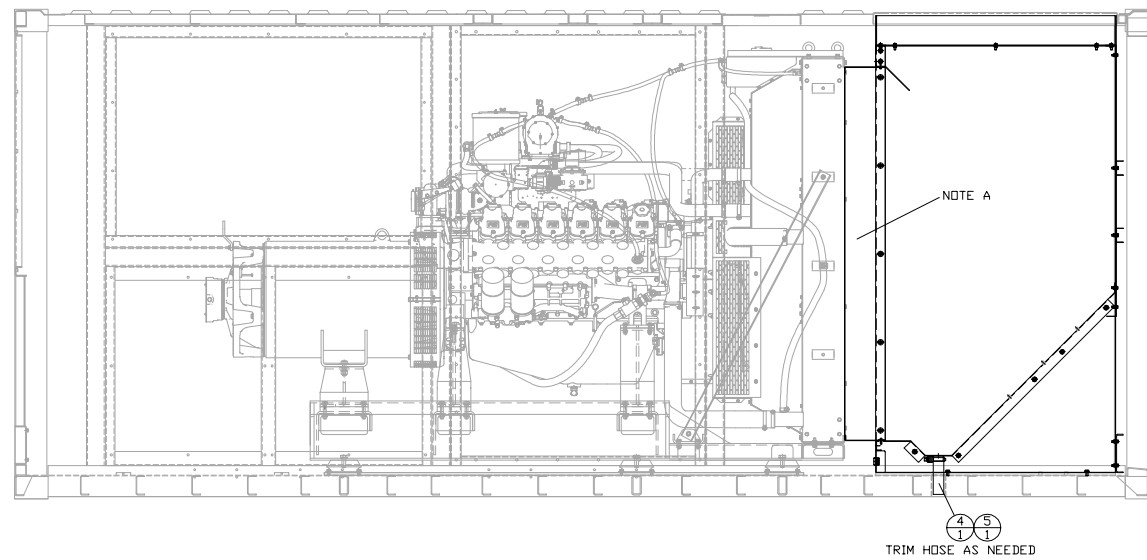
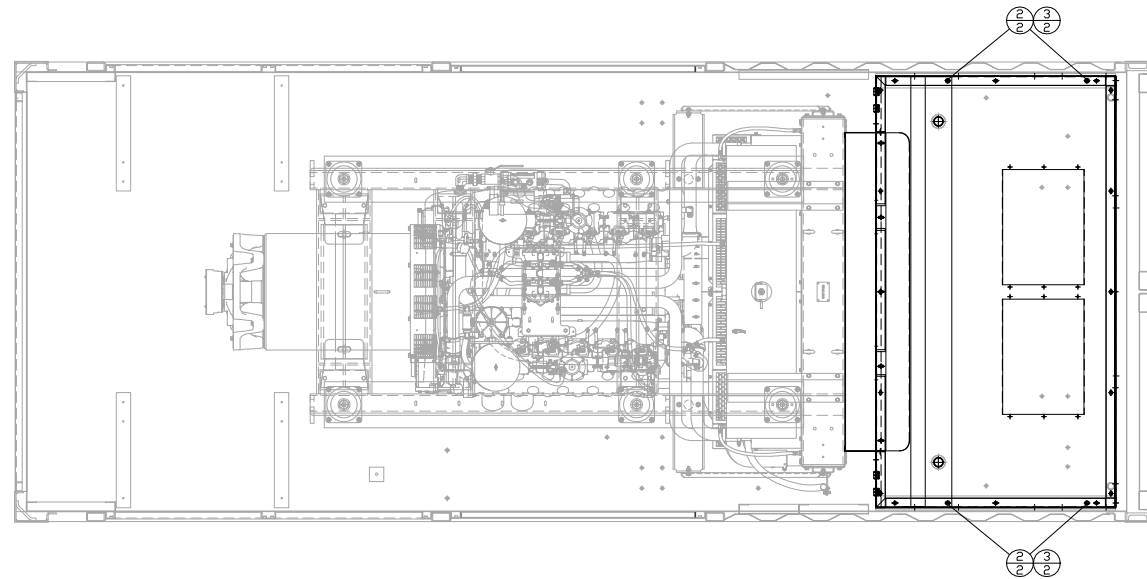


ITEM	QTY.	PART NO.	DESCRIPTION
1	1	71D130	DUCT ASSEMBLY-EXHAUST
2	4	8T-4179	BOLT- M12x1.75-20mm
3	4	5P-1076	WASHER-HARD
4	2	5P-1259	HOSE-Ø2.00"ID - 12.00"Lg
5	2	5P-0597	CLAMP-HOSE



NOTE A: CAULK ALL FOUR INTERIOR CORNERS OF THE RADIATOR FLASHING ONCE THEY HAVE BEEN PUSHED FORWARD AGAINST THE RADIATOR.  
 NOTE B: CAULK ALL FOUR INTERIOR CORNERS AND SEAMS OF THE EXHAUST FLASHING AFTER EXHAUST DUCT HAS BEEN INSTALLED.

01-30-17 KRN BML	DATE 11/04/16		<b>ALTORFER POWER SYSTEMS</b> 6315 W. FAUBER RD. PHONE (309) 697-1234 BARTONVILLE, IL 61607 FAX (309) 262-7546	
			THIS DOCUMENT CONTAINS PROPRIETARY INFORMATION OF ALTORFER, INC. WITHOUT THE WRITTEN PERMISSION OF ALTORFER, INC., ANY COPYING OR OTHER USE EXCEPT THAT FOR WHICH IT WAS INTENDED IS PROHIBITED.	
PET BUILD CHANGES CHANGE NOTICE	FILE DF/71A	PROJECT REFERENCE APS470G RENTAL PACKAGE		
		ALL DIMENSIONS IN INCHES UNLESS OTHERWISE SPECIFIED	SCALE/SHEET SIZE 1=20/D	
1	SHEET 1 OF 1	TOLERANCES: XX ± 0.100 XXX ± 0.060 XXXX ± 0.005	THIRD ANGLE PROJECTION	
		DRAWN BY BML	ENGINEERING STATUS PROTO X PET X PRODD 0	
TITLE MOUNTING GROUP-EXHAUST DUCT		DRAWING NUMBER 71A123-1		