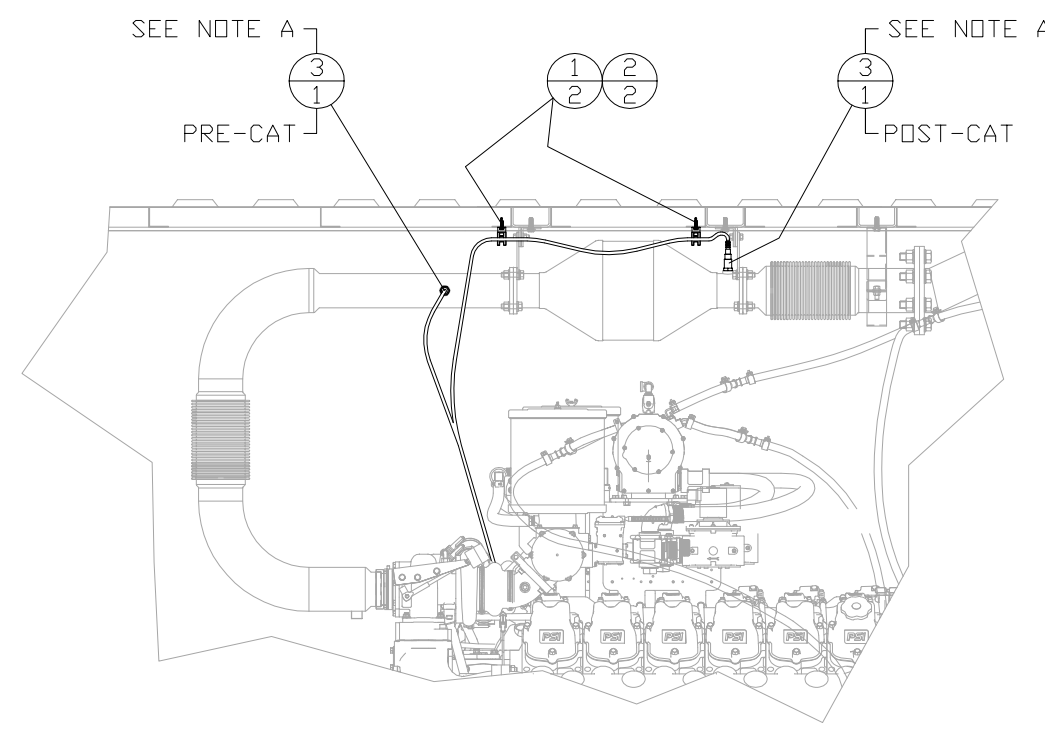
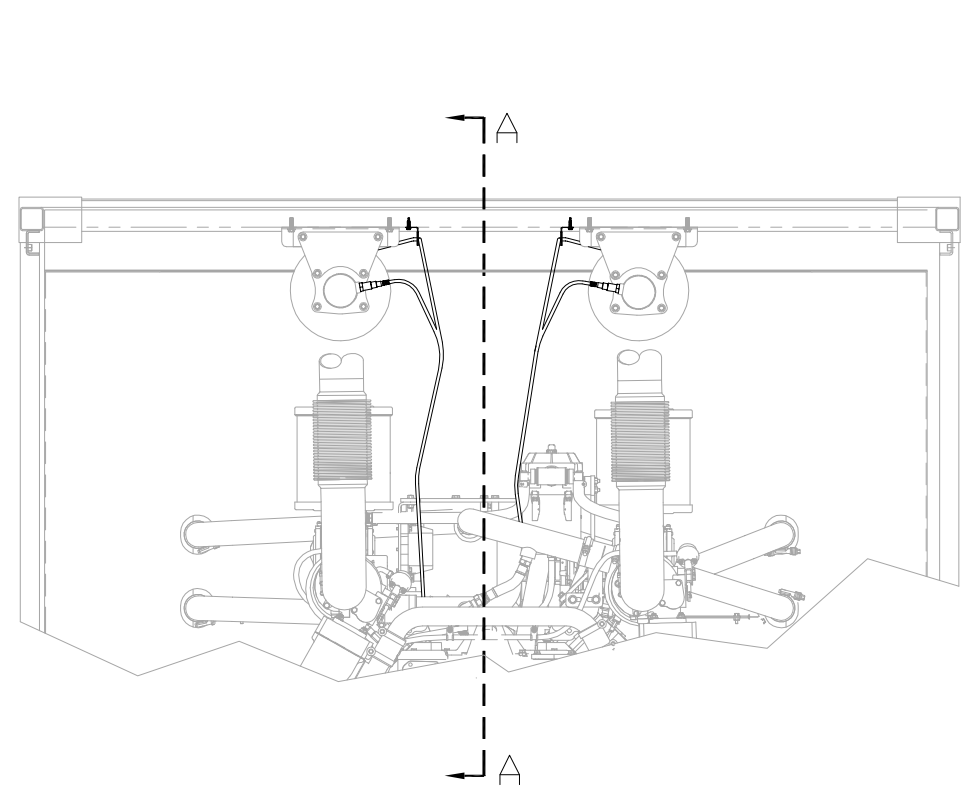


INCH

71A122

ITEM	QTY.	PART No.	DESCRIPTION
1	4	156-6175	CLIP-LADDER
2	4	12544519	SCREW-SELF TAPPING 1/4-20NCx1.00
3	4	32501267	SENSOR-02



VIEW A-A
TYP BOTH SIDES

NOTE A: SENSORS RECEIVED WITH PSI ENGINE
USE HIGH TEMP ANTI-SEIZE ON SENSOR THREADS

<p>ALTORFER</p> <p>6315 W. FAUBER RD. PHONE (309) 697-1234 BARTONVILLE, IL 61607 FAX (309) 282-7546</p>		<p>ALTORFER POWER SYSTEMS</p>				
		<p>THIS DOCUMENT CONTAINS PROPRIETARY INFORMATION OF ALTORFER, INC. WITHOUT THE WRITTEN PERMISSION OF ALTORFER, INC., ANY COPYING OR OTHER USE EXCEPT THAT FOR WHICH IT WAS INTENDED IS PROHIBITED</p>				
<p>CHANGE NOTICE</p> <p>TOLERANCES: X.X ± 0.100 X.XX ± 0.060 X.XXX ± 0.005</p> <p>ANGULAR ± 1°</p>	<p>THIRD ANGLE PROJECTION</p>	<p>FILE</p> <p>DF/71A</p>	<p>PROJECT REFERENCE</p> <p>APS470G RENTAL PACKAGE</p>			
		<p>SCALE/SHEET SIZE</p> <p>1=20/B</p>	<p>DRAWN BY</p> <p>K NUNN</p>	<p>ENGINEERING STATUS</p>		
		<p>SHEET</p> <p>1 OF 1</p>	<p>DATE</p> <p>01-27-17</p>	<p>PRD</p> <p>X</p>	<p>PET</p> <p>X</p>	<p>PROJ</p> <p>0</p>
		<p>TITLE</p> <p>MOUNTING GROUP-EXHAUST SENSORS</p>			<p>DRAWING NUMBER</p> <p>71A122</p>	