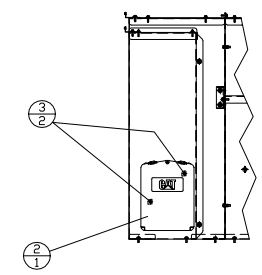
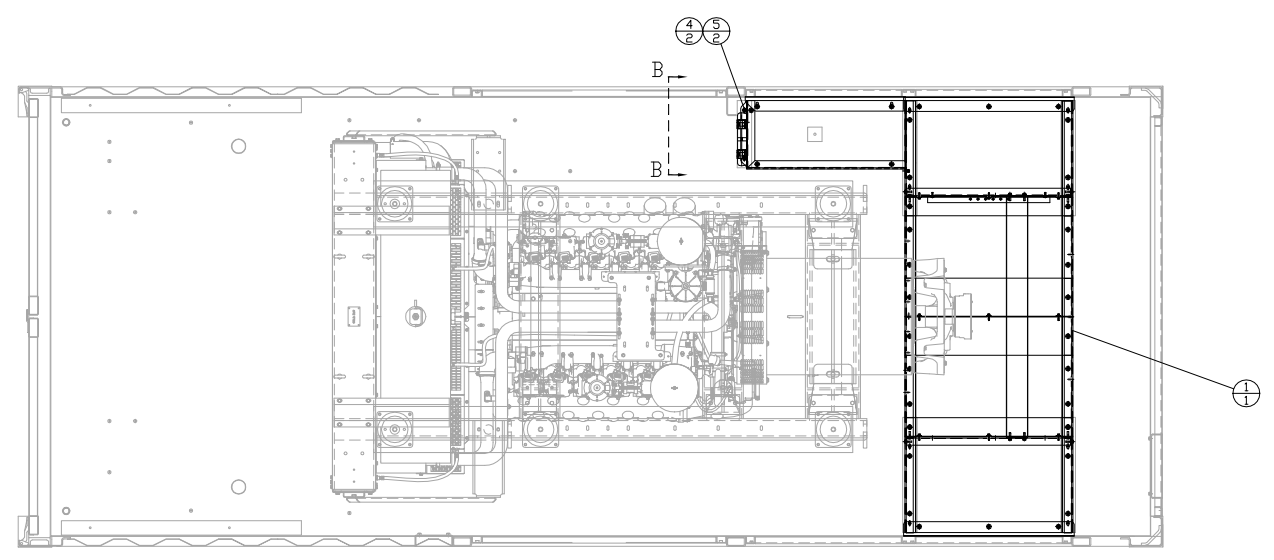
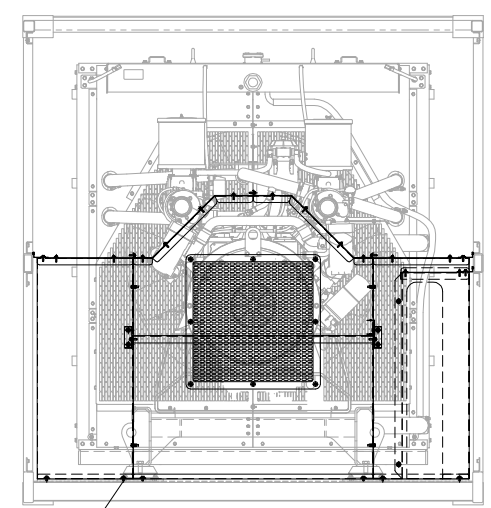
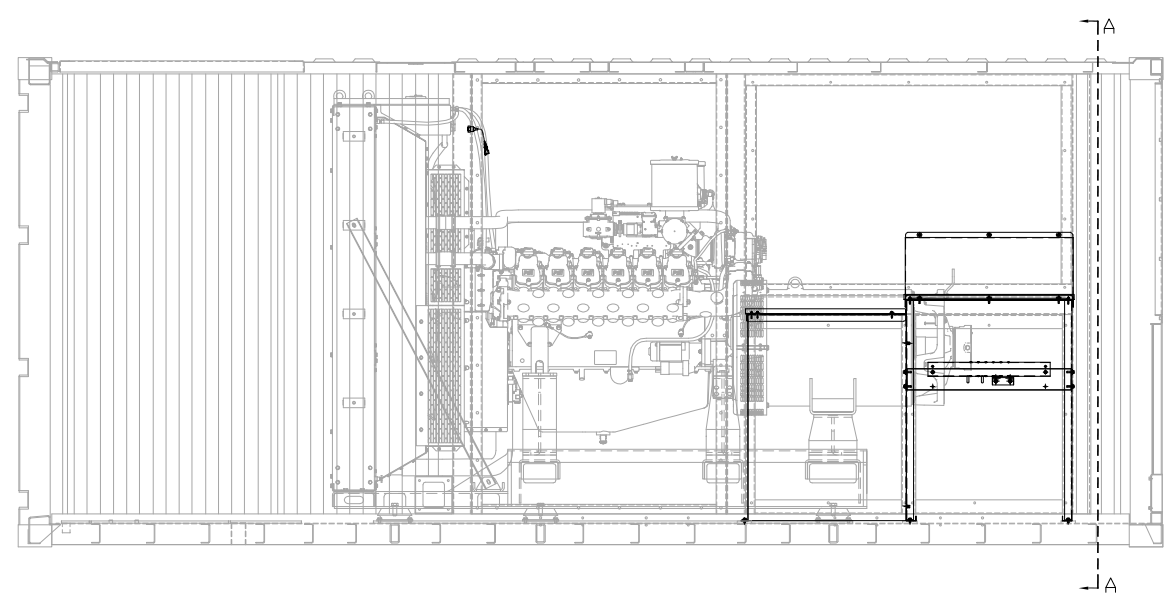


ITEM	QTY.	PART No.	DESCRIPTION	WEIGHT
1	1	71C101	BOX ASSEMBLY-JUNCTION	
2	1	194-4184	BOX-DOCUMENT	
3	2	343-4072	BOLT-FLANGED M6x1.00 - 25 MM	
4	2	8T-4200	BOLT-M8x1.25 - 16 MM	
5	2	5P-4116	WASHER-HARD	
6	12	7X-2548	BOLT-M12x1.75 - 16 MM	
7	12	5P-1076	WASHER-HARD	



VIEW B-B



SECTION A-A

01-19-17 KUN BUN		ALTORFER POWER SYSTEMS 6315 W. FAUBER RD. PHONE (309) 697-1234 BARTONVILLE, IL 61607 FAX (309) 262-7546	
		THIS DOCUMENT CONTAINS PROPRIETARY INFORMATION OF ALTORFER, INC. WITHOUT THE WRITTEN PERMISSION OF ALTORFER, INC., ANY COPYING OR OTHER USE EXCEPT THAT FOR WHICH IT WAS INTENDED IS PROHIBITED.	
PET BUILD CHANGES	CHANGE NOTICE	ALL DIMENSIONS IN INCHES UNLESS OTHERWISE SPECIFIED	FILE
		TOLERANCES: .XX ± 0.100 ANGLE .XXX ± 0.060 PROJECTION .XXX ± 0.005 ANGULAR ± 1°	PROJECT REFERENCE DF/71A SCALE/SHEET SIZE 1=20/D SHEET 1 OF 1
1			DRAWN BY K NUNN DATE 01-19-17 TITLE MOUNTING GROUP-JUNCTION BOX
			PROJECT REFERENCE APS470G RENTAL PACKAGE ENGINEERING STATUS PROTO X PET X PRODD 0 DRAWING NUMBER 71A113-1