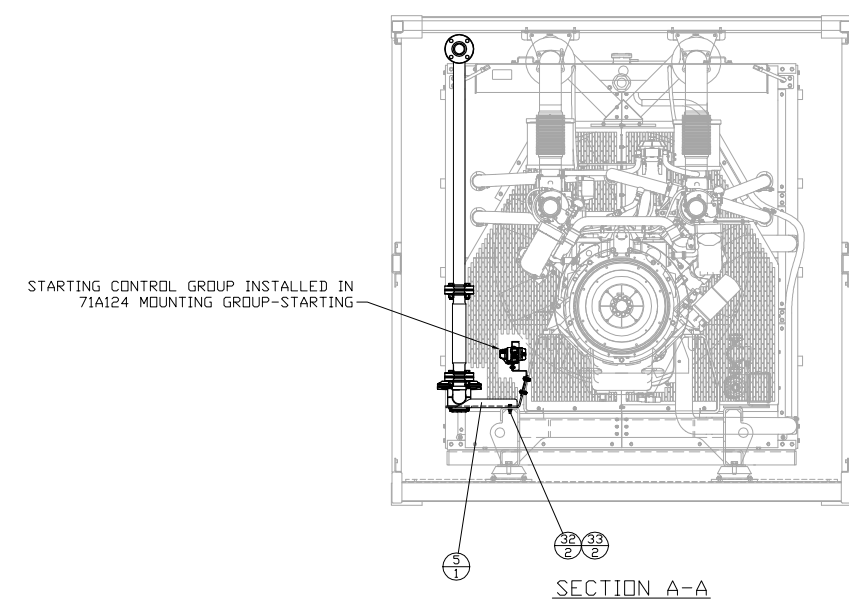
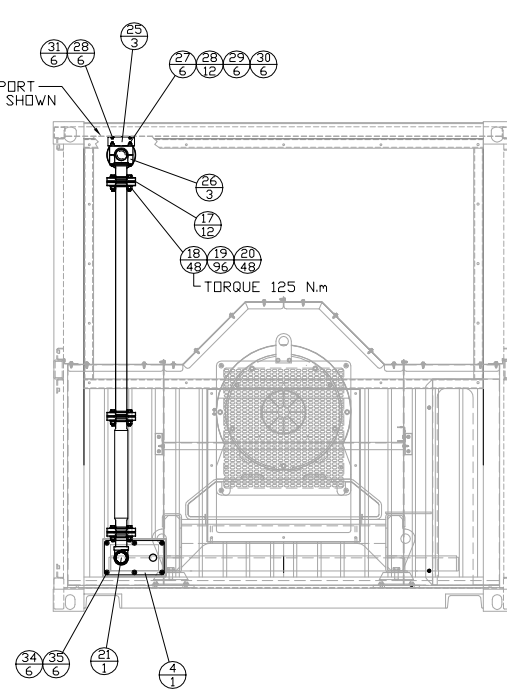
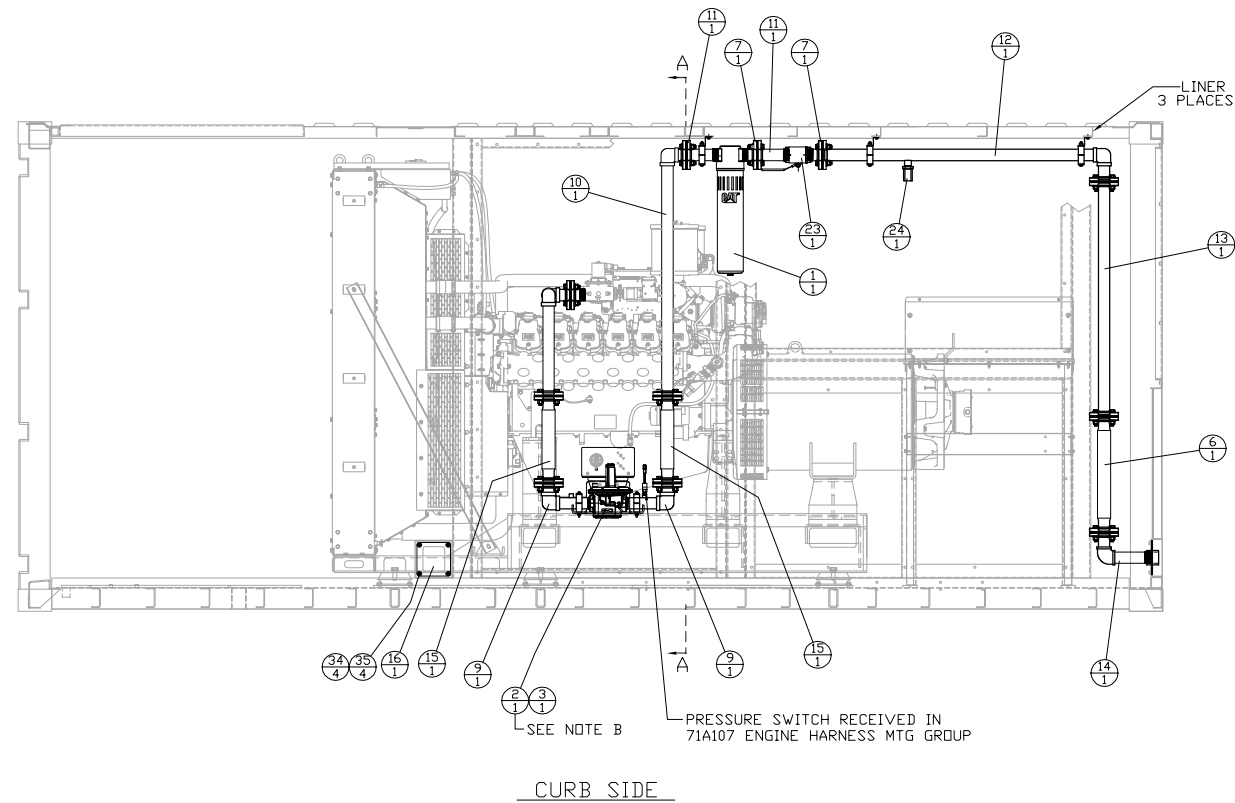


ITEM	QTY.	PART NO.	DESCRIPTION
1	1	321-6970	FILTER AS-(G14)
2	1	210E	REGULATOR-NATURAL GAS (RED SPRING)
3	1	13A25	VENT-REGULATOR
4	1	71C120	PLATE AS-FUEL CONNECTION
5	1	71C121	Mount-NG REGULATOR
6	1	71C145	HOSE AS-FUEL 2.0 ANSI x 24.00 Lg
7	4	71C146	PIPE AS-FUEL
8	1	71C147	MANIFOLD AS-FUEL
9	2	71C148	PIPE AS-FUEL
10	1	71C149	PIPE AS-FUEL (PIPE LINE)
11	2	71C150	PIPE AS-FUEL
12	1	71C151	PIPE AS-FUEL
13	1	71C152	PIPE AS-FUEL
14	1	71C153	PIPE AS-FUEL
15	2	71C154	HOSE AS-FUEL 2.0 ANSI x 18.00 Lg
16	1	71C134	PLATE-DRAIN COVER
17	12	9472K636	GASKET-2.0 ANSI FLANGE - 1/8" THICK
18	48	8C-6362	BOLT-5/8-11NC x2.75 Lg
19	96	7X-0515	WASHER-HARD
20	48	7X-0448	NUT-5/8-11NC
21	1	4464K259	PLUG-2.0 NPT SCH 40 SS
22	1	7F-9504	PLUG-SOCKET 1/4 NPT
23	1	46495K26	VALVE-MANUAL 2.0 NPT 304 SS
24	1	H202-25	VALVE-RELIEF 3/4 NPT 25 PSIG SETTING
25	3	70C236	SUPPORT-NG LINE
26	5	3015T415	CLAMP-STOFF 2.0 PIPE
27	10	8T-8909	BOLT-1/4-20NC x 5.0 Lg
28	26	5P-4115	WASHER-HARD
29	6	198-4778	WASHER-HARD
30	10	98233A100	NUT-FLANGED 1/4-20NC
31	6	109-0147	SCREW-SELF TAPPING 1/4-20NC x 1.0 Lg
32	2	92979A352	BOLT-FLANGED 3/8-16NCx1.50 Lg
33	2	198-2970	NUT-FLANGED 3/8-16NC
34	10	235-4451	BOLT-FLANGED M6x1.00 - 25.4mm
35	10	317-5700	WASHER-NEOPREME



NOTE A: SEAL ALL THREADED PIPE JOINTS WITH COMPLIANT NATURAL GAS SEALANT
 NOTE B: SET NATURAL GAS REGULATOR ADJUSTMENT SPRING TO 16 INCHES WATER COLUMN MAX. THEN PROCEED TO TEST SYSTEM AT 5 PSI MAX FOR LEAKS

01-17-17 KUNN FILE	ALTORFER ALTORFER POWER SYSTEMS 6315 W. FAUBER RD. PHONE (309) 697-1234 BARTONVILLE, IL 61607 FAX (309) 262-7546	
	THIS DOCUMENT CONTAINS PROPRIETARY INFORMATION OF ALTORFER, INC. WITHOUT THE WRITTEN PERMISSION OF ALTORFER, INC., ANY COPYING OR OTHER USE EXCEPT THAT FOR WHICH IT WAS INTENDED IS PROHIBITED	
	ALL DIMENSIONS IN INCHES UNLESS OTHERWISE SPECIFIED TOLERANCES: XX ± 0.100 XXX ± 0.060 XXXX ± 0.005 ANGULAR ± 1°	FILE DF/71A SCALE/SHEET SIZE 1=20/D SHEET 1 OF 1
CHANGE NOTICE 1 PET PIPE LINE REVISION NG	TITLE MOUNTING GROUP-NG FUEL TRAIN (PIPE LINE)	DRAWING NUMBER 71A111-1