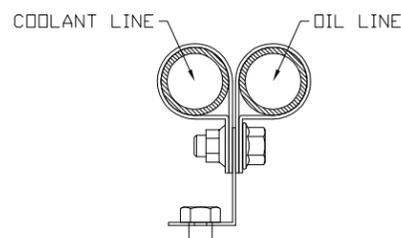
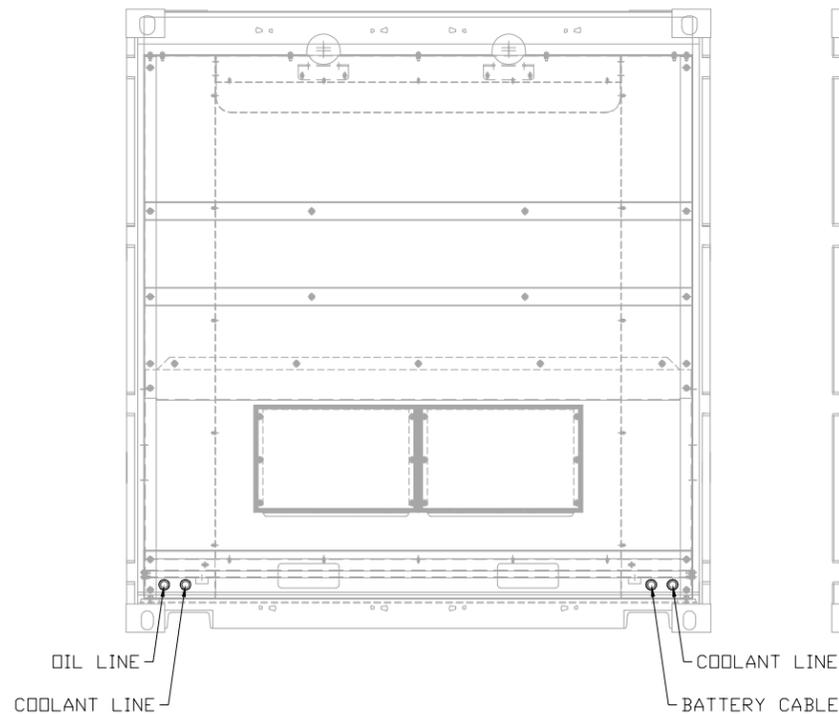
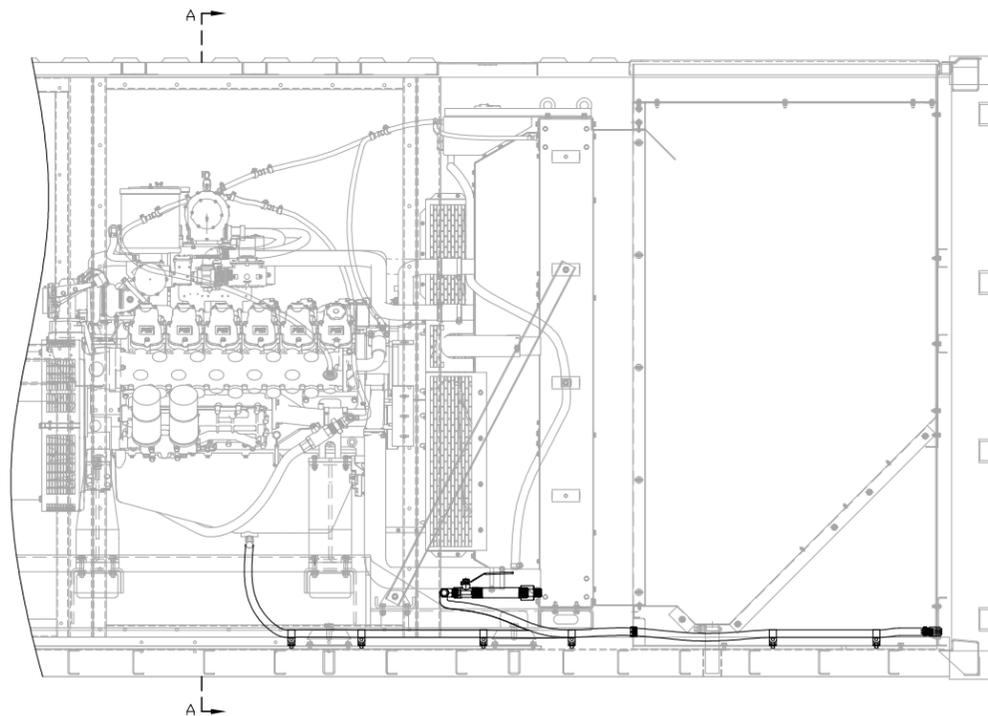
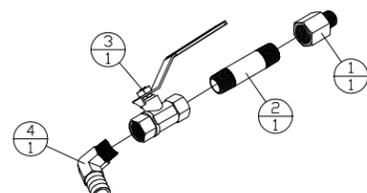


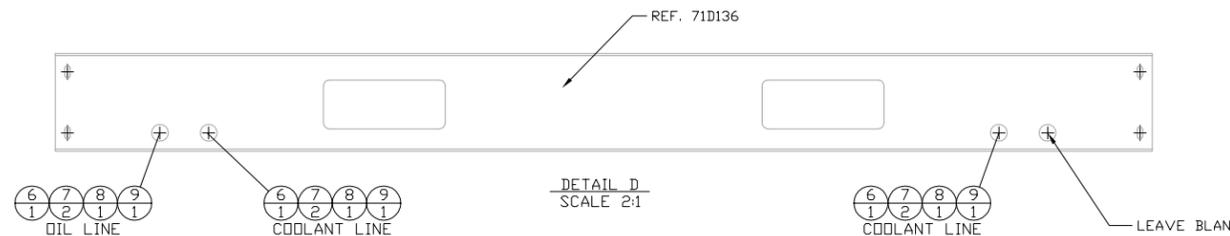
ITEM	QTY.	PART NO.	DESCRIPTION
1	2	50925K312	ADAPTER-REDUCING 1/4"NPTx3/8"NPT
2	2	44615K483	NIPPLE-3/8"NPT SCH40-6.00"Lg
3	2	4205167	VALVE-BALL 3/8"NPT
4	2	53525K22	ADAPTER-ELBOW 3/8"NPTx5/8" HOSE BARB
5	ROLL	6V-8843	HOSE-5/8" SILICONE
6	3	147-2442	ADAPTER 3/4"NPTx5/8" HOSE BARB
7	6	5D-1026	CLAMP-HOSE
8	3	10412-18229	ADAPTER-BULKHEAD 3/4"NPT
9	3	69908	PLUG-BRASS 3/4"NPT
10	2	PPP1	PLUG-1.00"NPT
11	11	174-9194	BOLT-FLANGED M8x1.25
12	11	273-3770	BRACKET-L (BLACK)
13	13	7C-4354	CLIP-1.00" VINYL
14	11	345-8531	BOLT-FLANGED 3/8"-16NCx1.25"
15	11	198-2970	NUT-FLANGED 3/8"-16NC



SECTION B-B
(2 PLACES)
SCALE 4:1



DETAIL C
(BOTH SIDES)
SCALE 4:1



DETAIL D
SCALE 2:1

NOTE A: USE THREADED PIPE SEALANT ON ALL PIPE FITTINGS

REV	DATE	BY	CHKD	DESCRIPTION
1	11/04/16	BML		INITIAL RELEASE

<p>ALTORFER</p> <p>6315 W. FAUBER RD. BARTONVILLE, IL 61607</p> <p>PHONE (309) 697-1234 FAX (309) 262-7546</p>	<p>ALTORFER POWER SYSTEMS</p> <p>6315 W. FAUBER RD. BARTONVILLE, IL 61607</p> <p>PHONE (309) 697-1234 FAX (309) 262-7546</p>
<p>THIS DOCUMENT CONTAINS PROPRIETARY INFORMATION OF ALTORFER, INC. WITHOUT THE WRITTEN PERMISSION OF ALTORFER, INC., ANY COPYING OR OTHER USE EXCEPT THAT FOR WHICH IT WAS INTENDED IS PROHIBITED.</p>	<p>FILE: DF/71A</p> <p>SCALE/SHEET SIZE: 1=15/D</p> <p>PROJECTION: 1ST ANGLE</p> <p>SHEET: 1 OF 1</p>
<p>ALL DIMENSIONS IN INCHES UNLESS OTHERWISE SPECIFIED</p> <p>TOLERANCES: .XX ± 0.000 ANGLE .XXX ± 0.060 .XXX ± 0.005 ANGULAR ± 1°</p>	<p>PROJECT REFERENCE: APS470G RENTAL PACKAGE</p> <p>DRAWN BY: BML</p> <p>DATE: 11/04/16</p> <p>WORK ORDER NUMBER: -</p> <p>DRAWING NUMBER: 71A110-1</p>
<p>PET UPDATES: -</p> <p>CHANGE NOTICE: -</p>	<p>TITLE: MOUNTING GROUP-DRAINS</p>