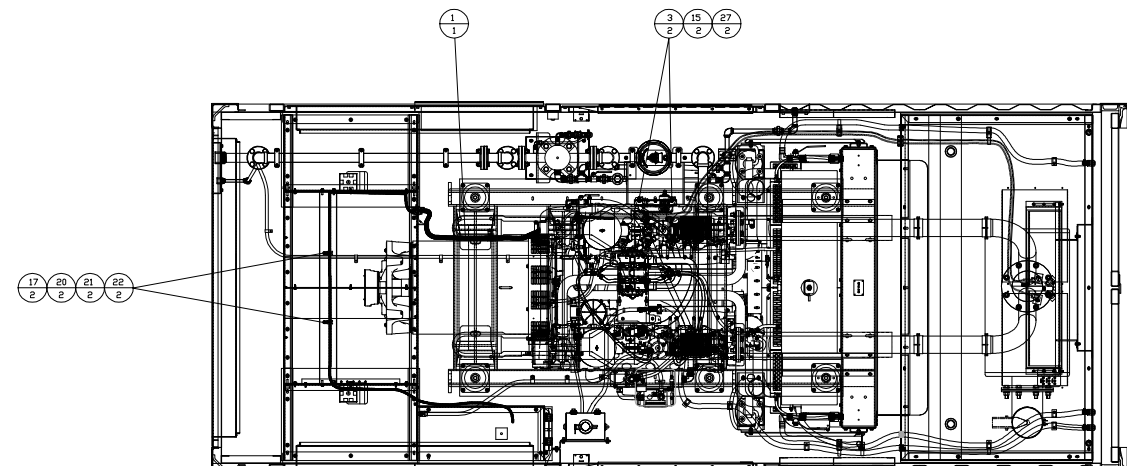
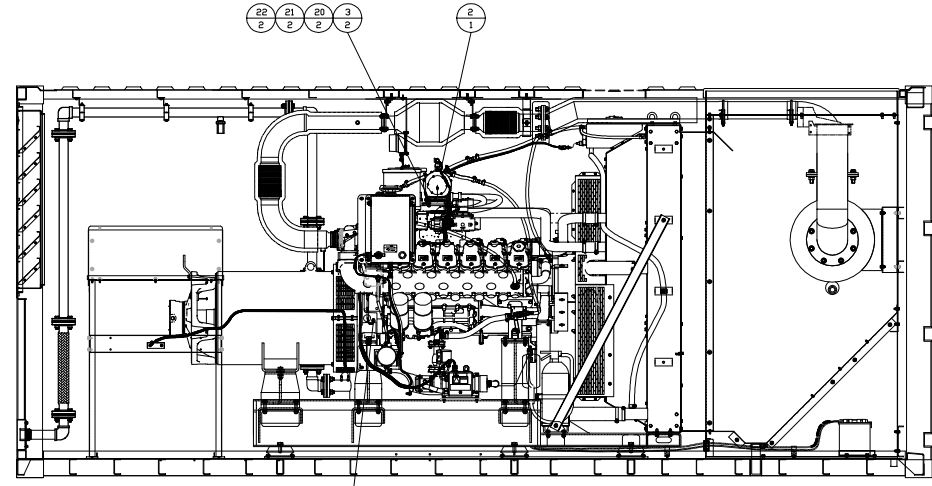


LEFT SIDE VIEW



TOP VIEW



RIGHT SIDE VIEW

ITEM	QTY	MEAS UNIT	CAT PART NO.	ALTORFER PART NO.	NAME
PARTS LIST					
1	1			71E139*	HARNESS ASSY. - ENGINE
2	2			71E124-1*	HARNESS ASSY.-GAS VALVE INTERCONNECT
3	6		132-5789		CLIP-LADDER
4	1		116-6680		SENSOR GP.-SPEED
5	1		430-9451		SENSOR-COOLANT LEVEL
6	1			M356583BE	SENSOR-FUEL PRESSURE
7	1		250-0363		BLOCK-STUD (POSITIVE)
8	1		250-0364		BLOCK-STUD (NEGATIVE)
9	4		156-6451		SCREW-MACHINE #8-32X1.00
10	8		096-6166		WASHER-FLAT #8
11	4		6D-5801		NUT-LOCK #8-32
12	8		250-0364	71067	WASHER-FLAT 3/8" SS
13	4		012-9158		NUT-LOCK 3/8"-16NC SS
14	1		4D-3100		GROMMET
15	2		198-2970		NUT-FLANGE 3/8"-16NC
16	1		9N-1394		BRACKET
17	2		4P-7581		CLIP-LADDER
18	1		8T-4186		BOLT - M10X1.5 40MM LONG
19	1		8T-4195		BOLT - M10X1.5 30MM LONG
20	6		175-7141		NUT-FLANGE HEAD M10X1.5
21	8		6V-5839		WASHER-HARD M10
22	4		338-3669		BOLT-FLANGE HEAD M10X1.5 30MM LONG
23	1		156-6175		CLIP-LADDER
24	1		1162T52		BUSHING-REDUCER 3/8" X 1/4"NPT
25	1		4S-4455		P-CLIP 1-1/2"
26	1		273-3770		BRACKET-L
27	2		345-8531		BOLT-FLANGE HEAD 3/8"-16NC X 1.00" LONG

* NOTE: ITEMS PART OF 71E136 HARNESS GROUP-ENGINE

		ALTORFER POWER SYSTEMS 6315 W. FAUBER RD. PHONE (309) 697-1234 BARTONVILLE, IL 61807 FAX (309) 262-7546	
THIS DOCUMENT CONTAINS PROPRIETARY INFORMATION OF ALTORFER, INC. WITHOUT THE WRITTEN PERMISSION OF ALTORFER, INC., ANY COPYING OR OTHER USE EXCEPT THAT FOR WHICH IT WAS INTENDED IS PROHIBITED.			
ALL DIMENSIONS IN INCHES UNLESS OTHERWISE SPECIFIED	FILE DF/71A	PROJECT REFERENCE APS375G RENTAL UNIT	
TOLERANCES: .XX ± 0.100 .XXX ± 0.060 .XXXX ± 0.005	THIRD ANGLE PROJECTION	SCALE/SHEET SIZE 1=20/D	DRAWN BY D. ROLING
CHANGE NOTICE PER PROTO BUILD	SHEET 1 OF 1	DATE 09/07/2016	ENGINEERING STATUS PROTO X PET X PROD X
TITLE MOUNTING GROUP - ENGINE HARNESS			DRAWING NUMBER 71A107-01