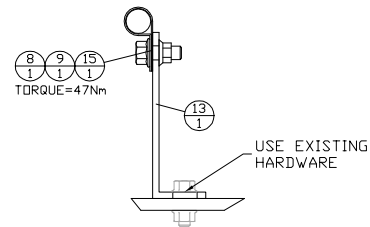
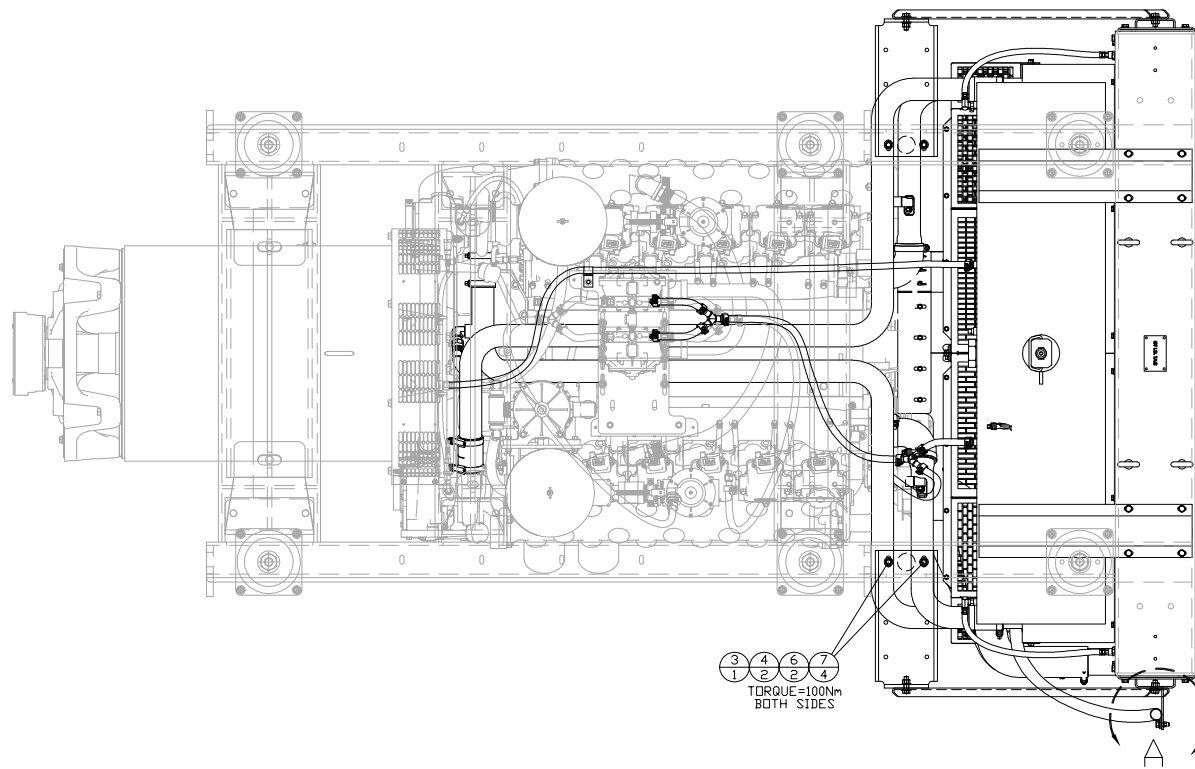


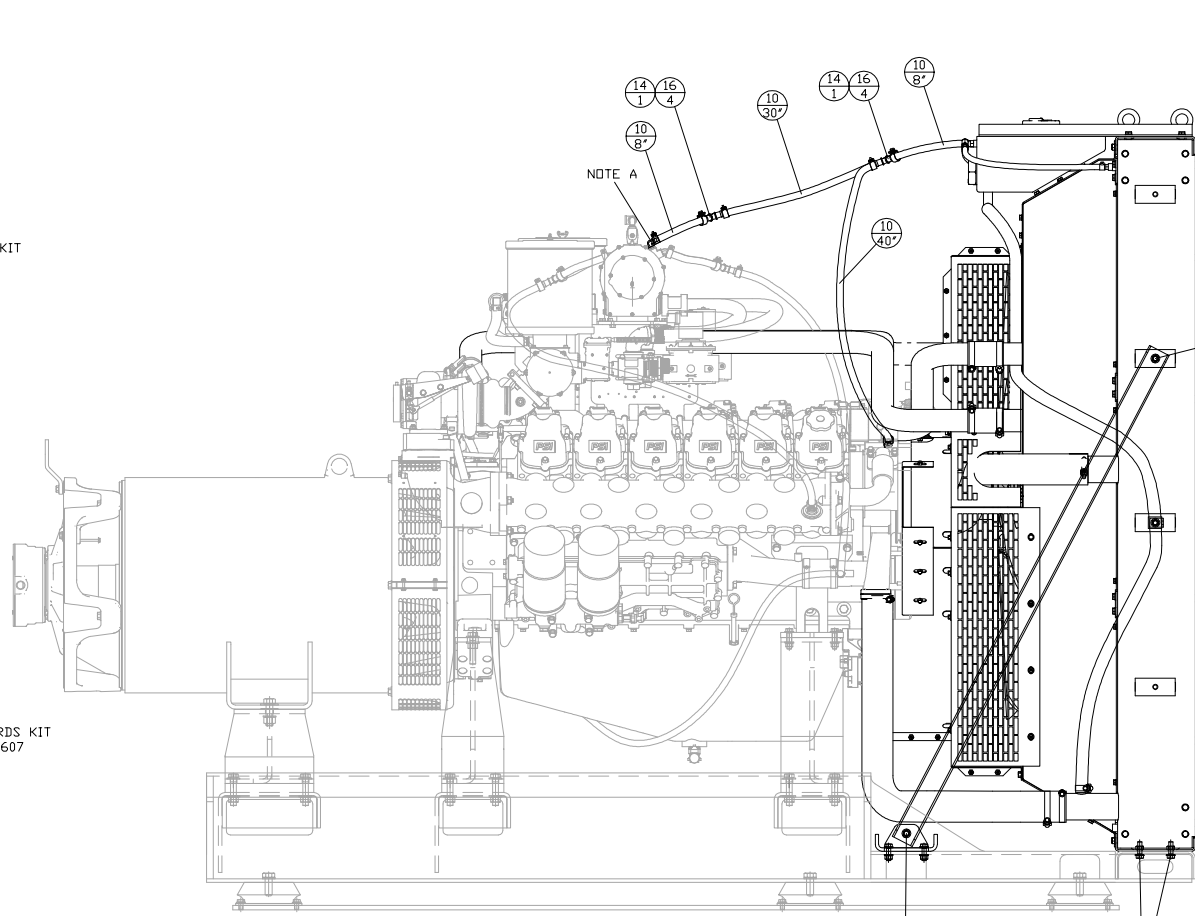
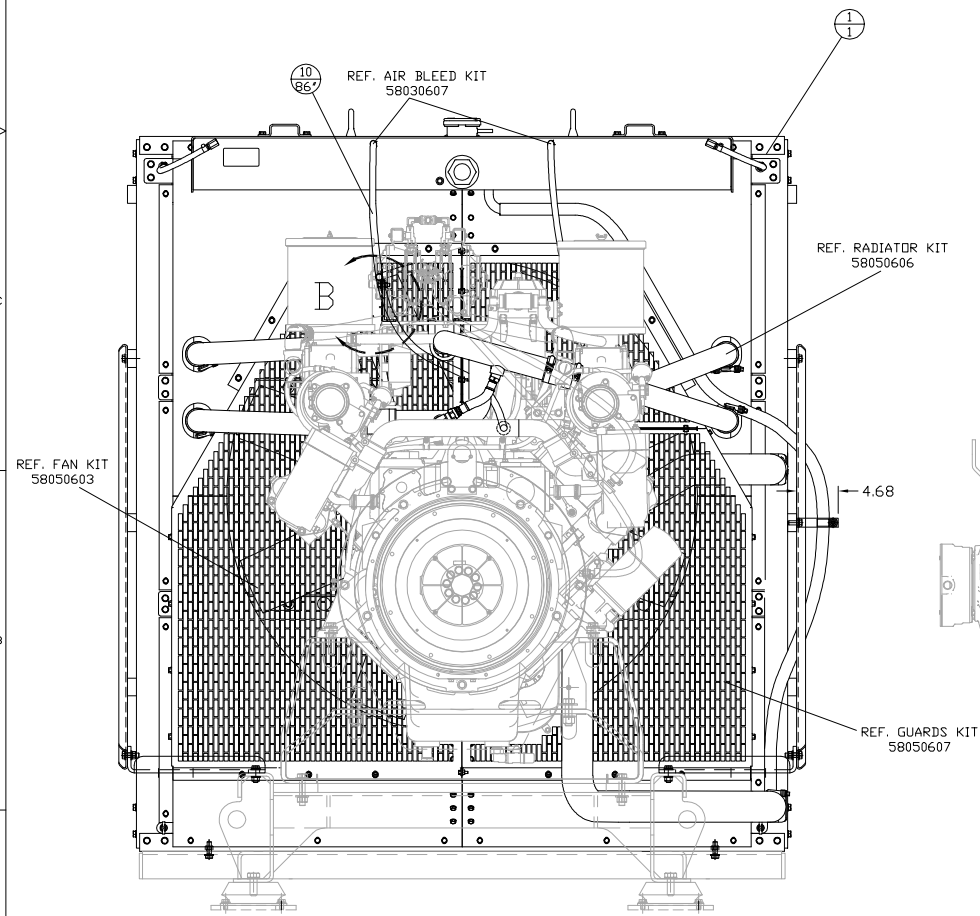
DETAIL A-A
SCALE 4:1



DETAIL B-B
SCALE 4:1



ITEM	QTY.	PART No.	DESCRIPTION
1	1	59300061	COOLING SYSTEM 22L-KIT
2	2	71B123	SUPPORT-RADIATOR
3	2	71B124	MOUNT-RADIATOR SUPPORT
4	7	8T-4139	BOLT-M12x1.75-30mm
5	6	8T-4183	BOLT-M12x1.75-40mm
6	6	8T-4244	NUT-M12x1.25
7	19	5P-1076	WASHER-HARD
8	2	345-8531	BOLT-3/8"-16NCx1.25"
9	2	198-2970	NUT-3/8"-16NC
10	1	5P-1442	HOSE-3/8" ID-508 cm
11	1	70C155	BRACKET-L
12	1	7C-4354	CLIP-VINYL 1.00"
13	1	9N-1394	BRACKET-L
14	2	53415K241	BARBED WYE CONNECTOR
15	1	0708773	CLIP-VINYL 5/8"
16	12	124-6275	CLAMP HOSE



NOTE A: REF. PSI PROPANE SYSTEM (71A104) TO INSTALL QTY.(2) ADAPTER ELBOWS (53525K18) TO ROUTE AIR BLEED KIT (58030607)

01-13-17 KKN	01-05-17 DATE	BY	ALTORFER		ALTORFER POWER SYSTEMS	
THIS DOCUMENT CONTAINS PROPRIETARY INFORMATION OF ALTORFER, INC. WITHOUT THE WRITTEN PERMISSION OF ALTORFER, INC., ANY COPYING OR OTHER USE EXCEPT THAT FOR WHICH IT WAS INTENDED IS PROHIBITED.			6315 W. FAUBER RD. BARTONVILLE, IL 61807		PHONE (309) 697-1234 FAX (309) 282-7546	
ALL DIMENSIONS IN INCHES UNLESS OTHERWISE SPECIFIED			FILE	PROJECT REFERENCE		
TOLERANCES: XX ± 0.100 XXX ± 0.050 XXXX ± 0.005			DF/71A	APS470G RENTAL PACKAGE		
THIRD ANGLE PROJECTION			SCALE/SHEET SIZE	DRAWN BY		
ANGULAR ± 1°			1=15/C	BML		
SHEET			1 OF 1	DATE		
TITLE			09/16/16			WORK ORDER NUMBER
MOUNTING GROUP-PSI COOLING SYSTEM			DRAWING NUMBER			71A106-2