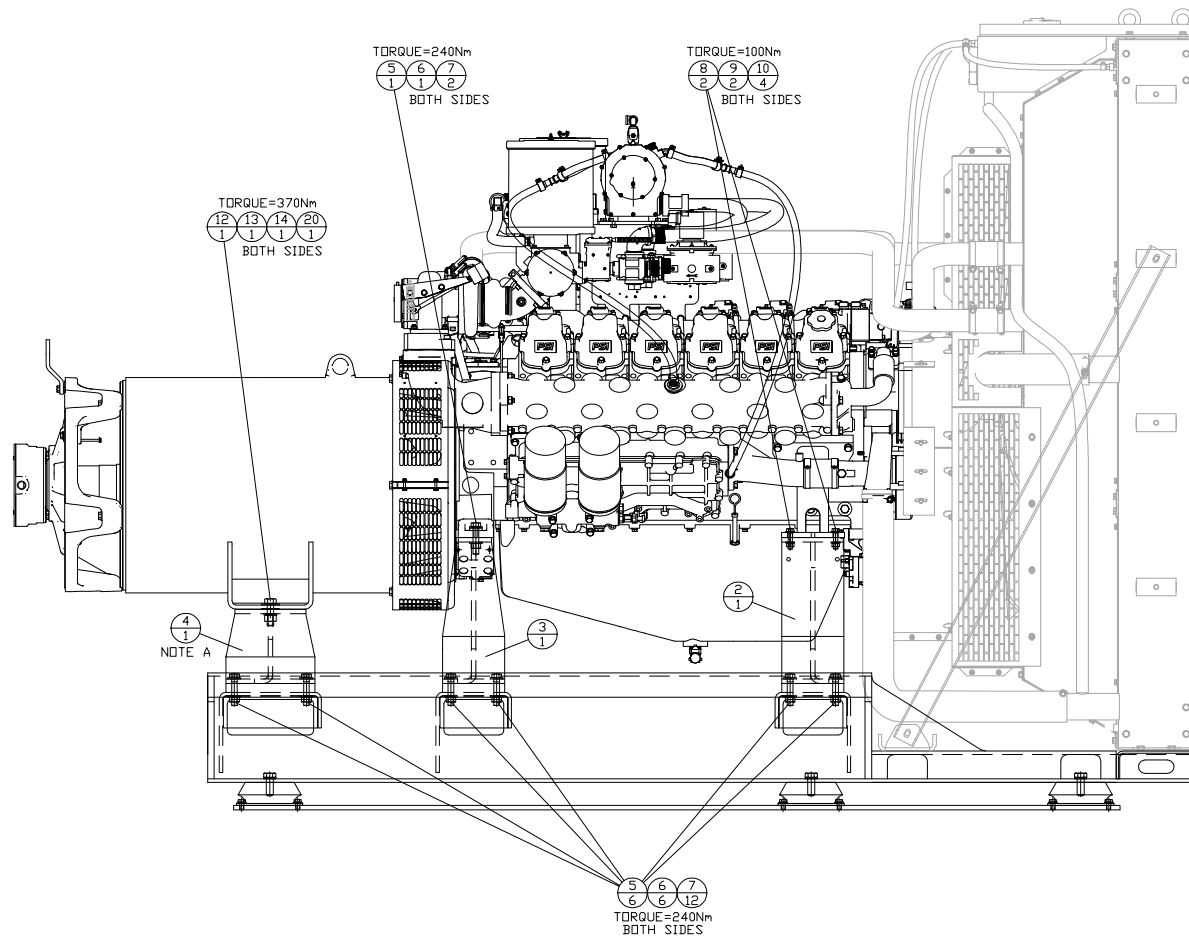
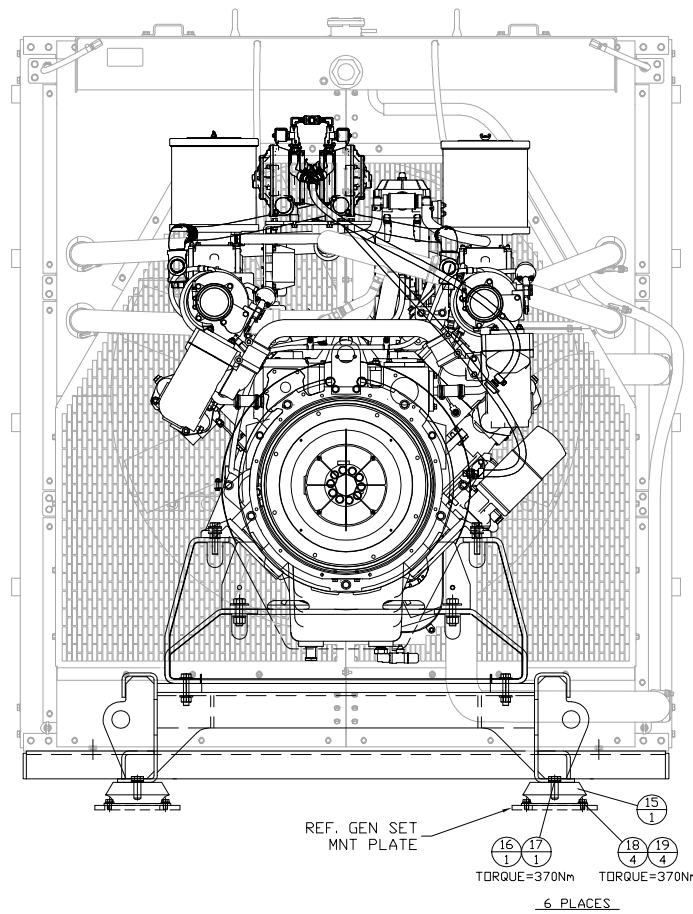


ITEM	QTY.	PART No.	DESCRIPTION
1	1	71B101	BASE AS.-APS470G
2	1	71B117	MDUNT AS.-ENGINE FRONT
3	1	71B119	MDUNT AS.-ENGINE REAR
4	1	71B122	MDUNT AS.-GENERATOR
5	12	7X-2555	BOLT-M16x2.0-80mm
6	14	8T-4132	NUT-M16x2.0
7	28	9X-8257	WASHER-HARD
8	4	8T-4194	BOLT-M12x1.75-50mm
9	4	8T-4244	NUT-M12x1.75
10	8	8T-4223	WASHER-HARD
11	2	7X-2554	BOLT-M16x2.0-70mm
12	2	8T-8924	BOLT-3/4"-10NCx2.5"
13	2	6V-8182	NUT-3/4"-10NC
14	4	7X-0582	WASHER-HARD
15	6	308-4542	ISOLATOR-MOUNTING
16	6	8T-6430	BOLT-M20x2.50-50mm
17	6	8T-5439	WASHER-HARD
18	24	8T-4179	BOLT-M12x1.25-20mm
19	24	5P-1076	WASHER-HARD



NOTE A: SHIM BOTH SIDES OF GENERATOR AS NEEDED FOR PROPER BOLT TORQUING.

DATE	09-16-17	BY		<b>ALTORFER POWER SYSTEMS</b>	
DATE		BY		6315 W. FAUBER RD. PHONE (309) 697-1234 BARTONVILLE, IL 61807 FAX (309) 282-7546	
FILE	ALL DIMENSIONS IN INCHES UNLESS OTHERWISE SPECIFIED		DF/71A	PROJECT REFERENCE	
	TOLERANCES: XX ± 0.100		1=15/C	APS470G RENTAL PACKAGE	
	XXX ± 0.050			DRAWN BY BML	
	XXXX ± 0.005			DATE 09/16/16	
THIRD ANGLE PROJECTION			1 OF 1	QUOTE NUMBER	
ANGULAR ± 1°				WORK ORDER NUMBER	
TITLE	MOUNTING GROUP-GENERATOR SET			DRAWING NUMBER	
				71A105-1	