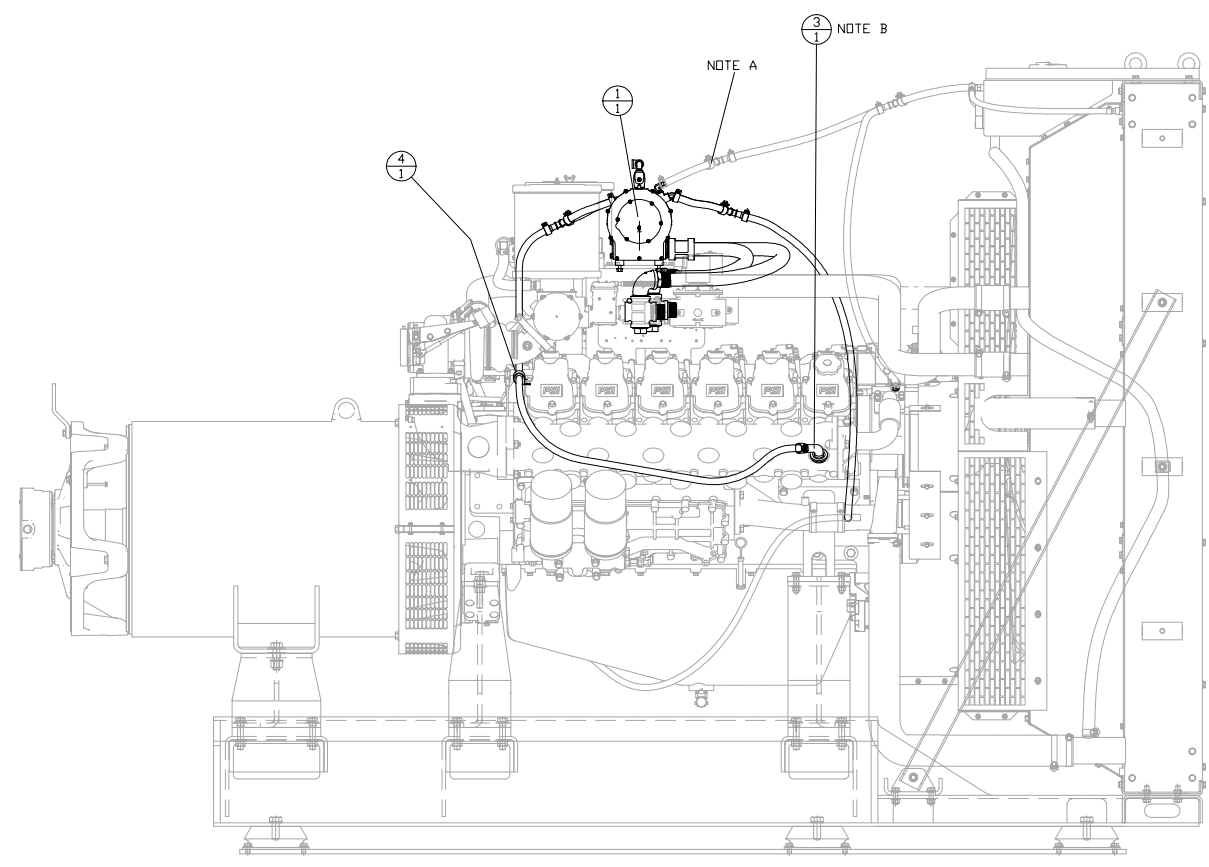
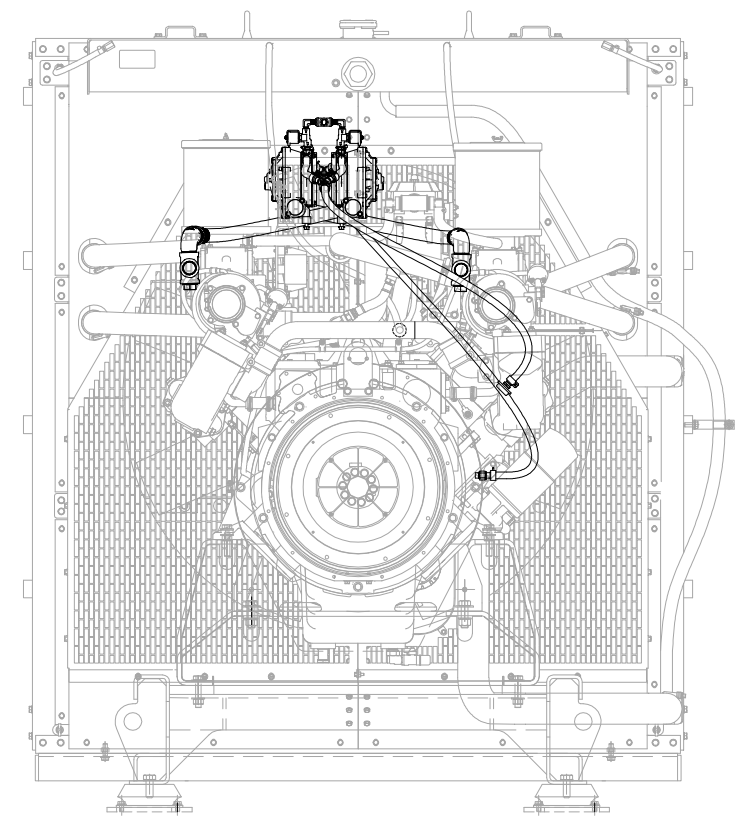
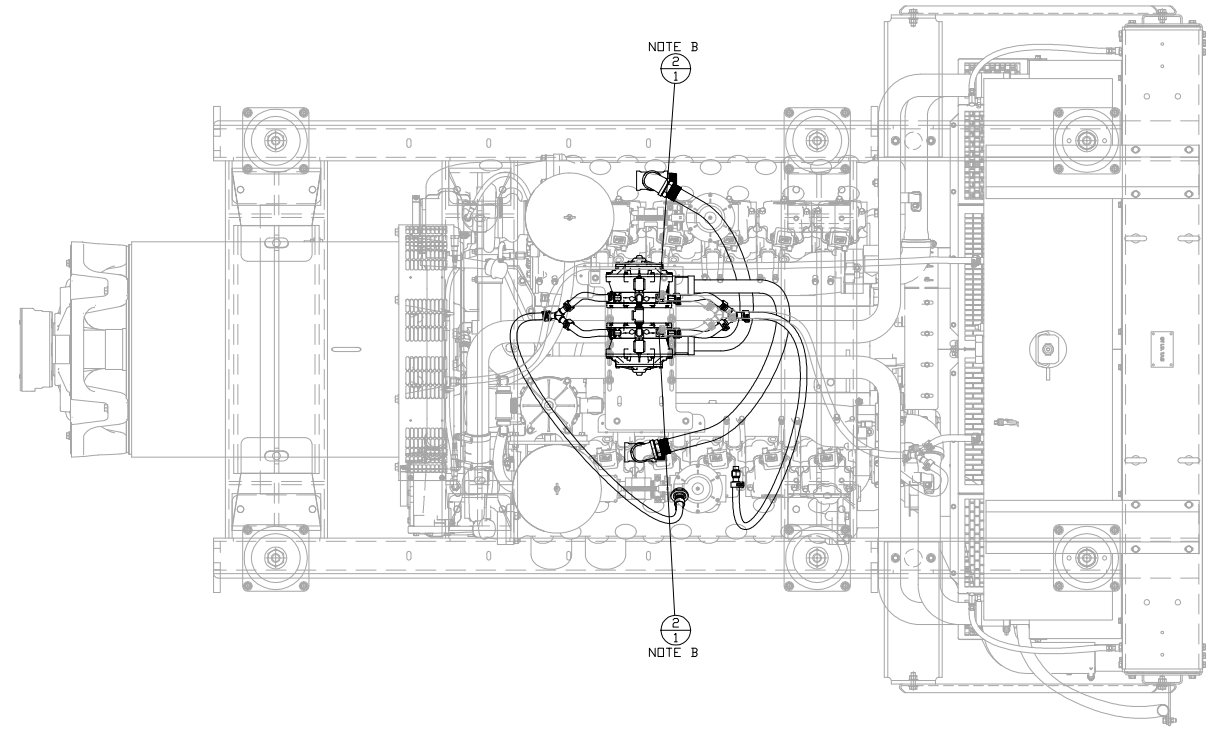


ITEM	QTY.	PART No.	DESCRIPTION
1	1	59300039	PROPANE KIT-22L V SERIES
2	2	53525K18	ELBDW-ADAPTER 3/8"NPTx 3/8" HOSE BARB
3	1	53525K23	ELBDW-ADAPTER 1/2"NPTx 5/8" HOSE BARB
4	1	7C-4354	CLIP-VINYL 1.00



NOTE A: VENT LINES INSTALLED WITH PSI COOLING SYSTEM (71A106)
 NOTE B: USE THREADED PIPE SEALANT WHEN INSTALLING BARBED ELBOWS

01-12-17 KSN	10/27/16	DATE	ALTORFER POWER SYSTEMS 6315 W. FAUBER RD. PHONE (309) 697-1234 BARTONVILLE, IL 61807 FAX (309) 282-7546	
PET CHANGES	ADDED VENTING ELBOWS	DATE BY		
ALL DIMENSIONS IN INCHES UNLESS OTHERWISE SPECIFIED TOLERANCES: .XX ± 0.100 .XXX ± 0.050 .XXXX ± 0.005 ANGULAR ± 1°			FILE DF/71A	PROJECT REFERENCE APS470G RENTAL PACKAGE
1	ADDED VENTING ELBOWS	DATE BY	SCALE/SHEET SIZE 1=15/C SHEET 1 OF 1	DRAWN BY BML DATE 10/27/16
TITLE			DRAWING NUMBER	
MOUNTING GROUP-PSI PROPANE SYSTEM			71A104-2	