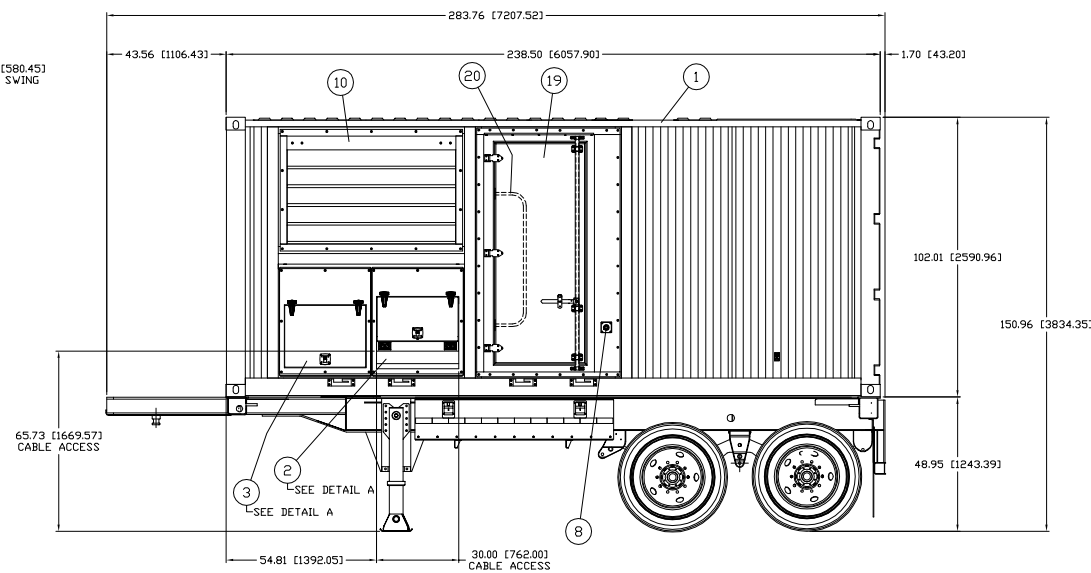
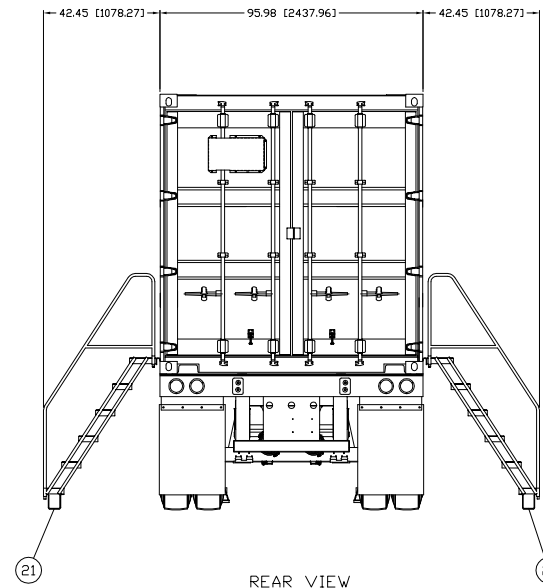


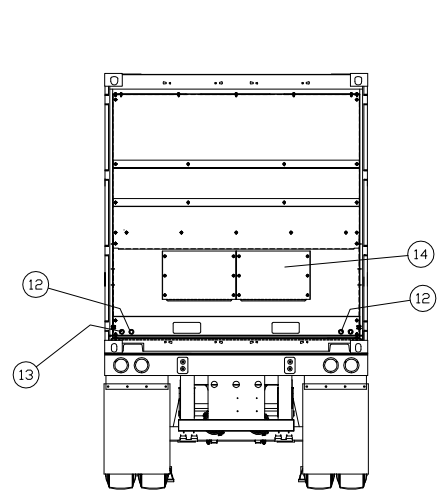
CAB END VIEW



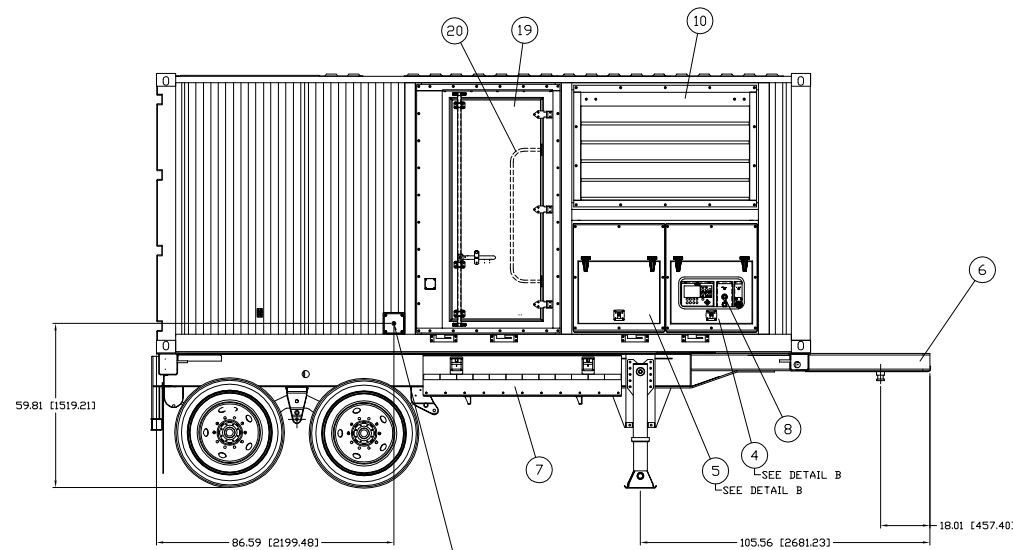
STREET SIDE VIEW



REAR VIEW



REAR VIEW
SHOWN WITH DOORS OPEN

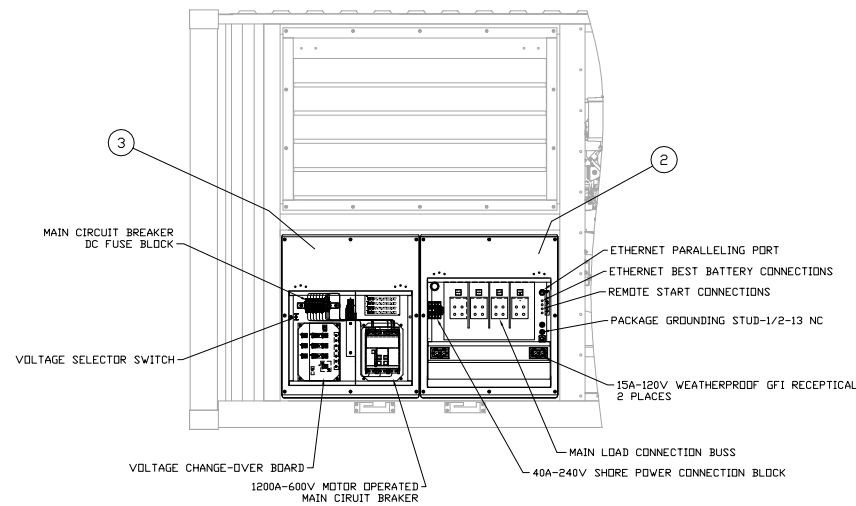
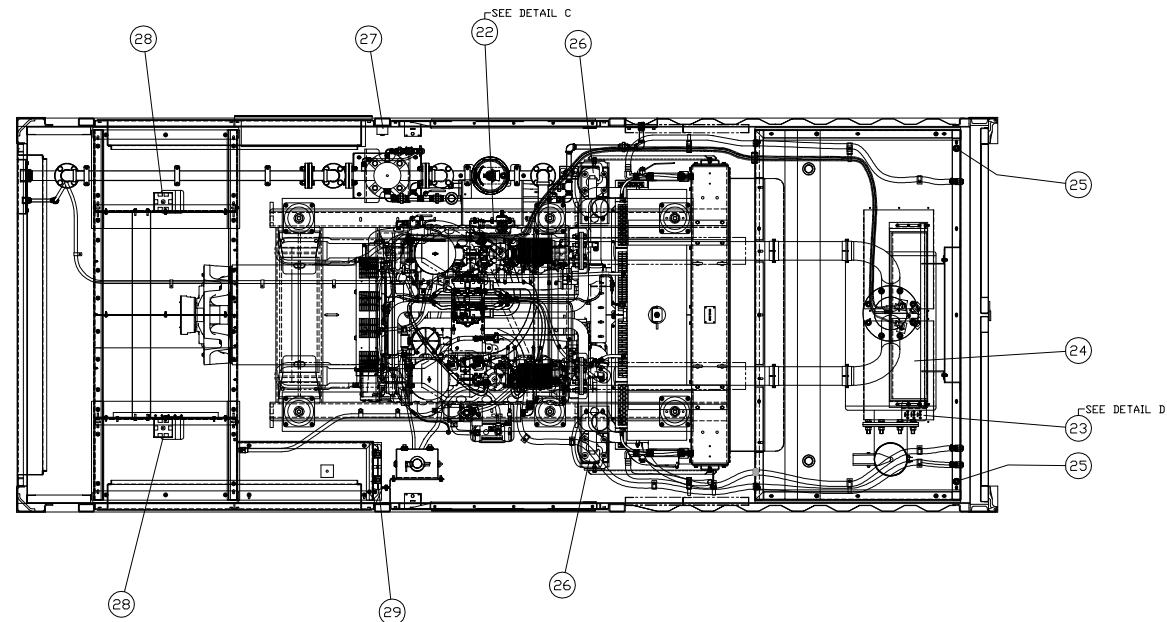


CURB SIDE VIEW

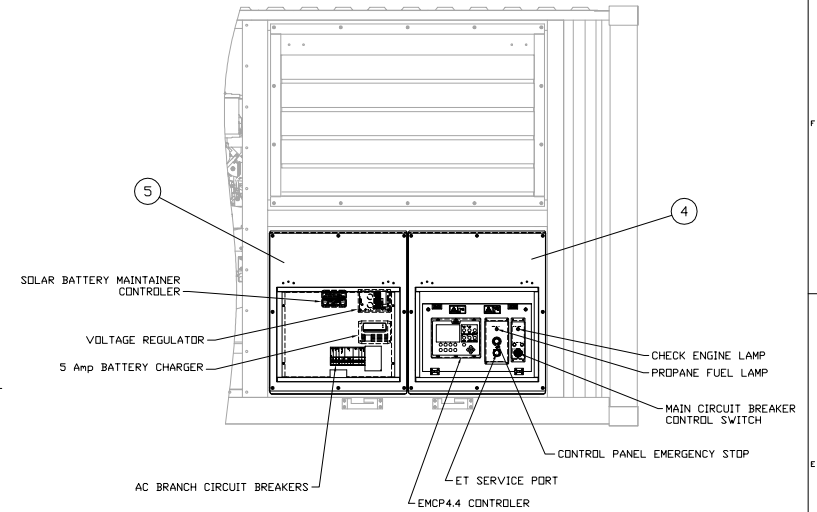
ITEM	QTY.	DESCRIPTION
1	1	20' SOUND ATTN. ISO CONTAINER w/ SPILL CONTAINMENT
2	1	LOAD DISTRIBUTION MODULE
3	1	MAIN BREAKER AND VOLTAGE SELECTION MODULE
4	1	EMCP4.4 CONTROL MODULE
5	1	POWER DISTRIBUTION MODULE
6	1	20' AIR RIDE ISO CHASSIS
7	2	PERSONNEL ACCESS LADDER STORAGE BOX
8	2	EXTERNAL EMERGENCY STOP PUSH BUTTON
9	1	REAR FIXED INTAKE LOUVER ASSEMBLY w/ BIRD SCREEN
10	2	SIDE FIXED INTAKE LOUVER ASSEMBLY w/ BIRD SCREEN
11	1	VERTICAL EXHAUST DISCHARGE SCREEN
12	2	COOLANT DRAIN WITH INTERIOR VALVE - 3/4 NPT
13	1	OIL DRAIN WITH INTERIOR VALVE - 3/4 NPT
14	1	EXHAUST PLENUM PERSONNEL ACCESS PANEL
15	1	GENERATOR MAINTENANCE ACCESS PANEL
16	1	RADIATOR FILL ACCESS PANEL
17	1	SOLAR BATTERY MAINTANER
18	1	MASTERTRACK ANTENNA
19	2	PERSONNEL SIDE ACCESS DOOR WITH INTERIOR RELEASE
20	2	PERSONNEL SAFETY DOOR GRAB HANDLE
21	2	PERSONNEL ACCESS LADDER WITH GRAB RAILING
22	1	STARTING CONTROL GROUP
23	1	BATTERY CHARGER DC BREAKER PANEL
24	2	24v DC HEAVY DUTY STARTING BATTERY
25	1	INTERIOR SPILL CONTAINMENT DRAIN PORTS - 1' NPT
26	2	10 Lb ABC CLASS FIRE EXTINGUISHER w/ MOUNTING BRACKET
27	1	0-60 MIN DC LIGHT TIMER
28	2	INTERIOR DC LIGHT FIXTURE
29	1	INTERIOR DOCUMENT STORAGE BOX
30	1	INTERIOR METHANE GAS LEAK DETECTOR
31	1	21.9L DUAL FUEL HEAVY DUTY ENGINE
32	1	ENGINE MOUNTED ATTAC COOLING SYSTEM w/ GAURDS
33	1	208-600v GENERATOR w/ CONDENSATION HEATERS
34	1	INDUSTRIAL GRADE SS EXHAUST SYSTEM w/ SPARK ARRESTOR
35	1	VERTICAL DISCHARGE EXHAUST PLENUM
36	1	ELECTRICAL JUNCTION BOX ASSEMBLY
37	1	STRUCTURAL STEEL GANSET MOUNTING FRAME ASSEMBLY
38	6	GANSET VIBRATION ISOLATOR MOUNT
39	1	CIRCULATING JACKET WATER HEATER w/ ISOLATION VALVES
40	1	STANDARD PIPELINE NATURAL GAS FUEL SYSTEM
41	1	OPTIONAL OIL FIELD NATURAL GAS FUEL SYSTEM
42	1	OPTIONAL OIL MAKE UP SYSTEM

PACKAGE ARRANGEMENT WEIGHTS:
 PACKAGE ARRANGEMENT w/o CHASSIS: 21,258 Lbs / 9,643 Kg
 PACKAGE ARRANGEMENT w/ CHASSIS: 28,200 Lbs / 12,791 Kg
 PACKAGE CHASSIS ONLY: 6,942 Lbs / 3,149 Kg

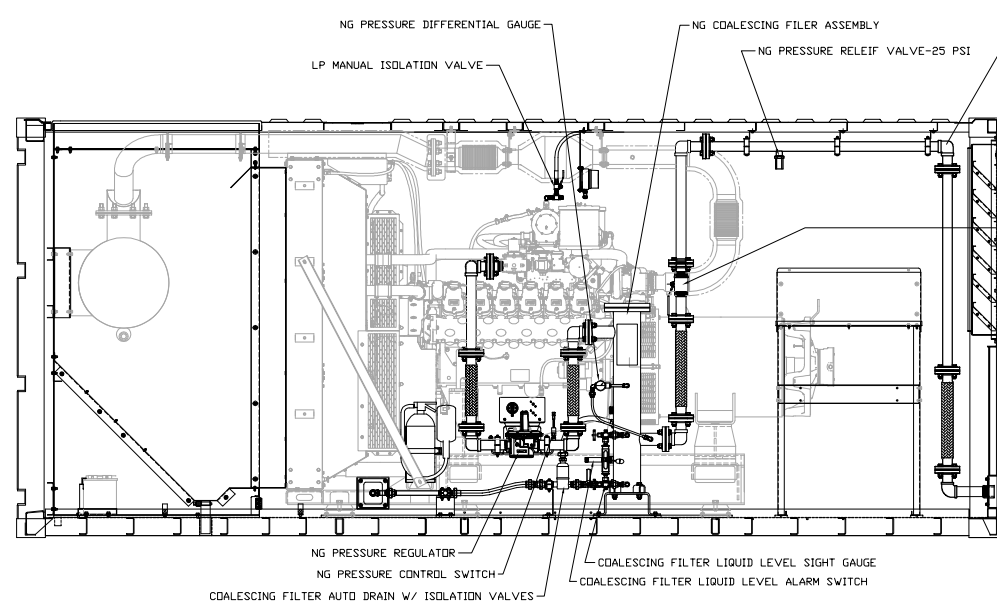
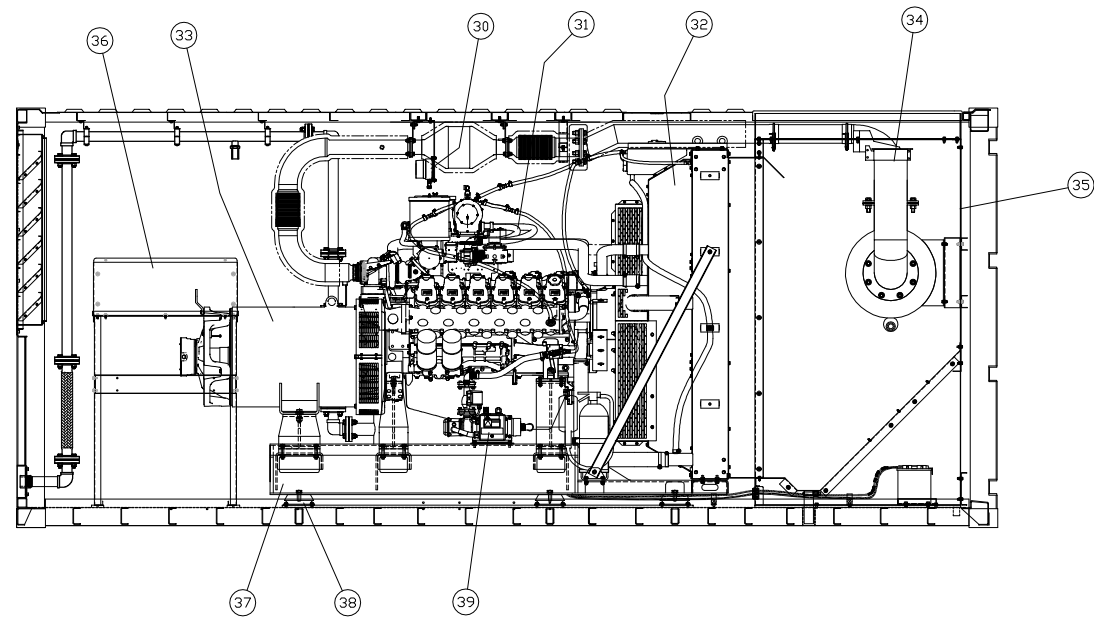
DATE BY		ALTORFER		ALTORFER POWER SYSTEMS	
		6315 W. FAUBER RD. BARTONVILLE, IL 61807		PHONE (309) 697-1234 FAX (309) 282-7546	
THIS DOCUMENT CONTAINS PROPRIETARY INFORMATION OF ALTORFER, INC. WITHOUT THE WRITTEN PERMISSION OF ALTORFER, INC. ANY COPYING OR OTHER USE EXCEPT THAT FOR WHICH IT WAS INTENDED IS PROHIBITED		FILE	PROJECT REFERENCE		
ALL DIMENSIONS IN INCHES UNLESS OTHERWISE SPECIFIED		DF/71A	APS470G RENTAL PACKAGE		
TOLERANCES:	THIRD ANGLE PROJECTION	SCALE/SHEET SIZE	DRAWN BY	ENGINEERING STATUS	
X.X ± 0.100		1-35/D	K NUNN	PROTO	PET
X.XX ± 0.050				X	X
X.XXX ± 0.005					X
ANGULAR ± 1'		SHEET	DATE		
		1 OF 2	04-25-17		
TITLE		DRAWING NUMBER			
APS470G PACKAGE ARRANGEMENT-GENERAL DIMENSION		71A102A			



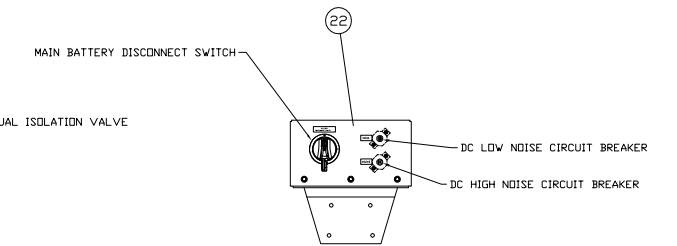
DETAIL A
SHOWN WITH DOORS REMOVED



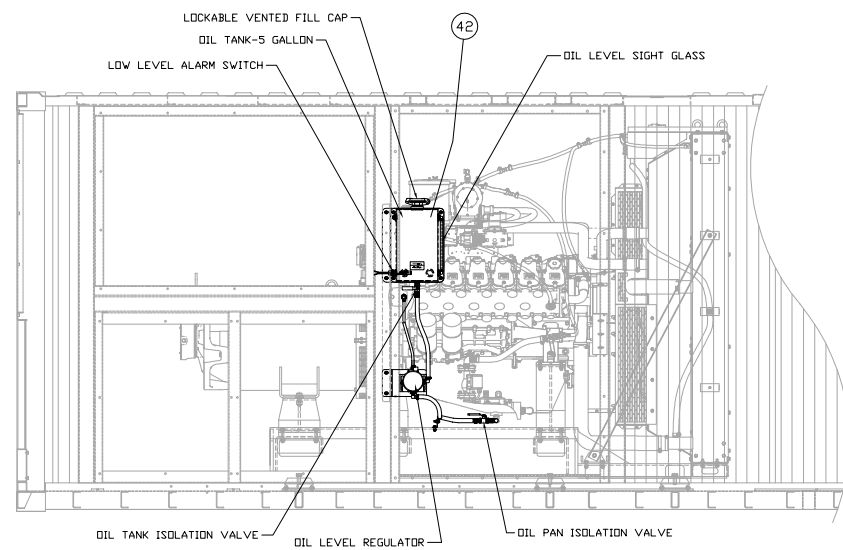
DETAIL B
SHOWN WITH DOORS REMOVED



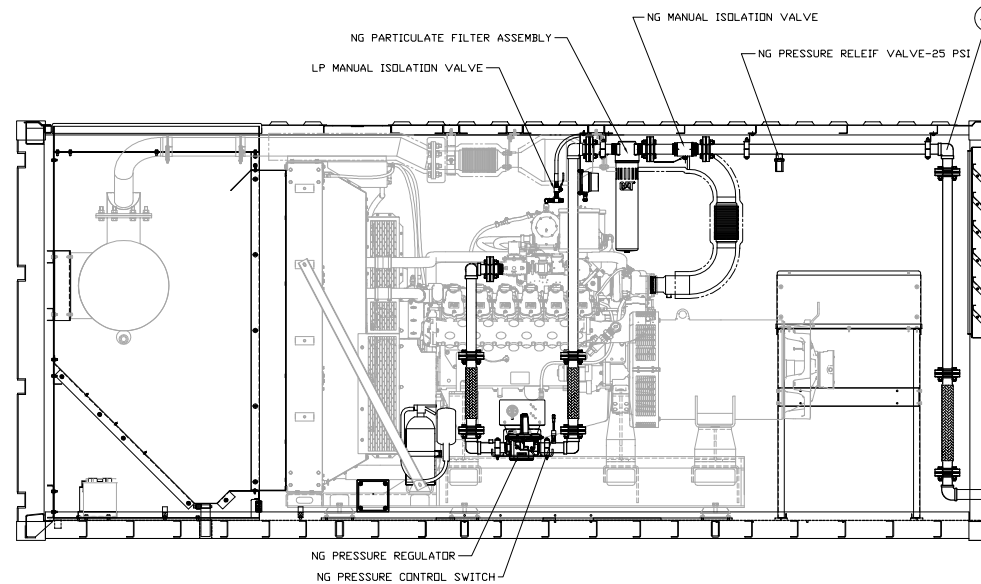
OIL FIELD FUEL SYSTEM CONFIGURATION



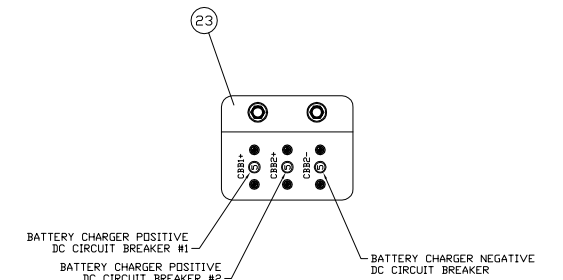
DETAIL C



OIL RECOVERY SYSTEM
** STANDARD WITH OIL FIELD FUEL SYSTEM **
** OPTIONAL WITH PIPELINE FUEL SYSTEM **



PIPELINE FUEL SYSTEM CONFIGURATION



DETAIL D

DATE BY		ALTORFER		ALTORFER POWER SYSTEMS	
		6315 W. FAUBER RD. BARTONVILLE, IL 61807		PHONE (309) 697-1234 FAX (309) 282-7546	
THIS DOCUMENT CONTAINS PROPRIETARY INFORMATION OF ALTORFER, INC. WITHOUT THE WRITTEN PERMISSION OF ALTORFER, INC., ANY COPYING OR OTHER USE EXCEPT THAT FOR WHICH IT WAS INTENDED IS PROHIBITED		FILE	PROJECT REFERENCE		
ALL DIMENSIONS IN INCHES UNLESS OTHERWISE SPECIFIED		DF / 71A	APS470G RENTAL PACKAGE		
TOLERANCES:	THIRD ANGLE PROJECTION	SCALE/SHEET SIZE	DRAWN BY	ENGINEERING STATUS	
X.X ± 0.100		1-35/D	K NUNN	PRD	PET
X.XX ± 0.050				X	X
X.XXX ± 0.005					X
ANGULAR ± 1'		SHEET	DATE	DRAWING NUMBER	
		2 OF 2	04-25-17	71A102B	
TITLE	DRAWING NUMBER				
APS470G PACKAGE ARRANGEMENT-GENERAL DIMENSION	71A102B				