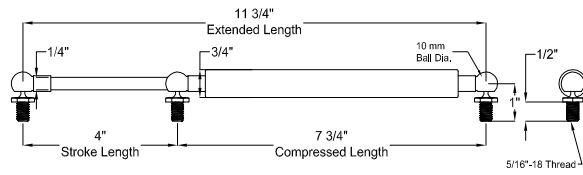
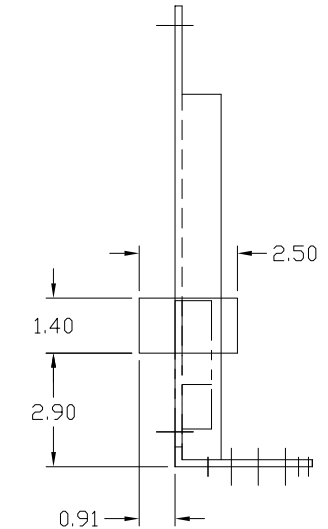
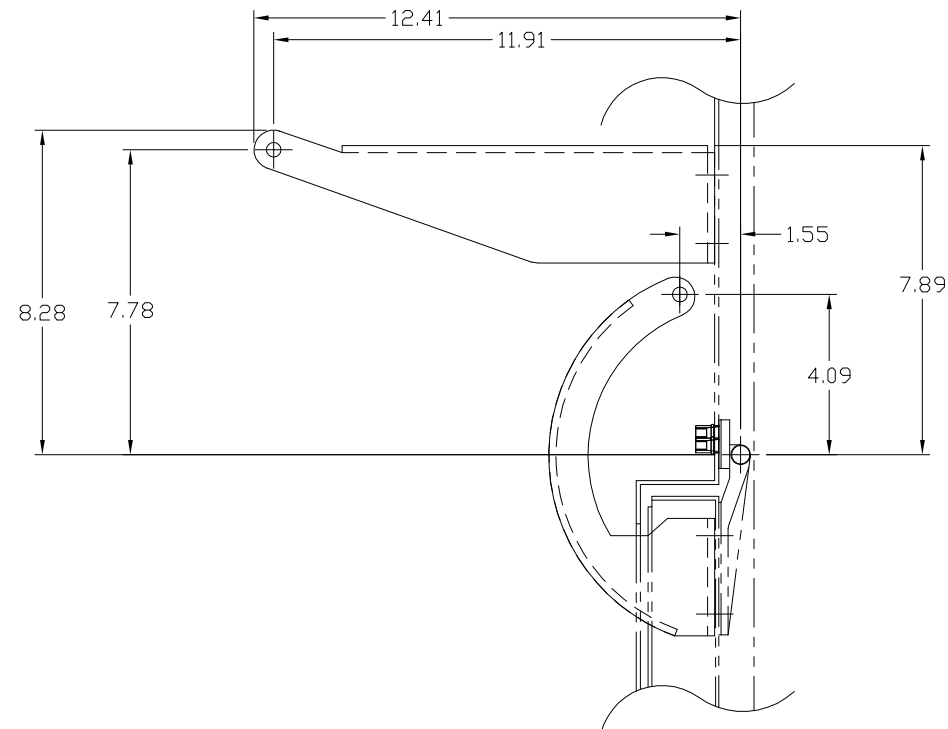


INCH 68E429

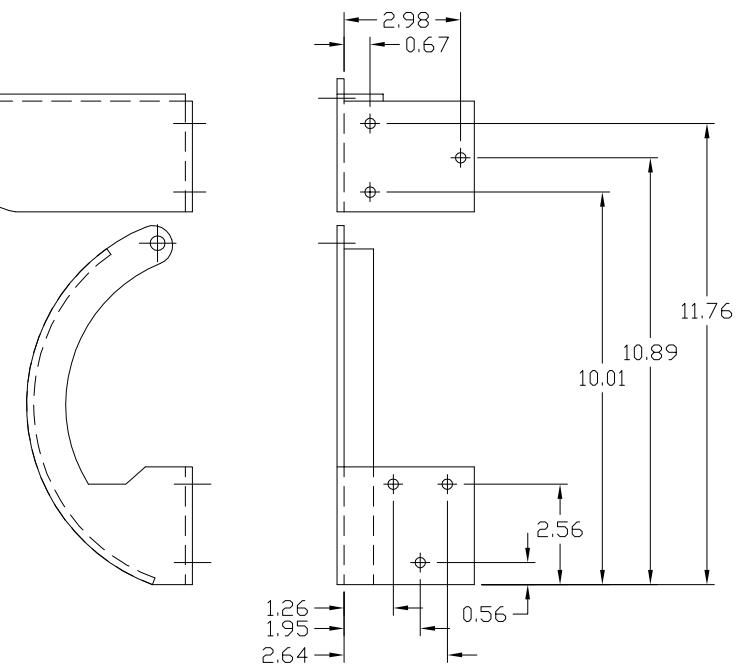
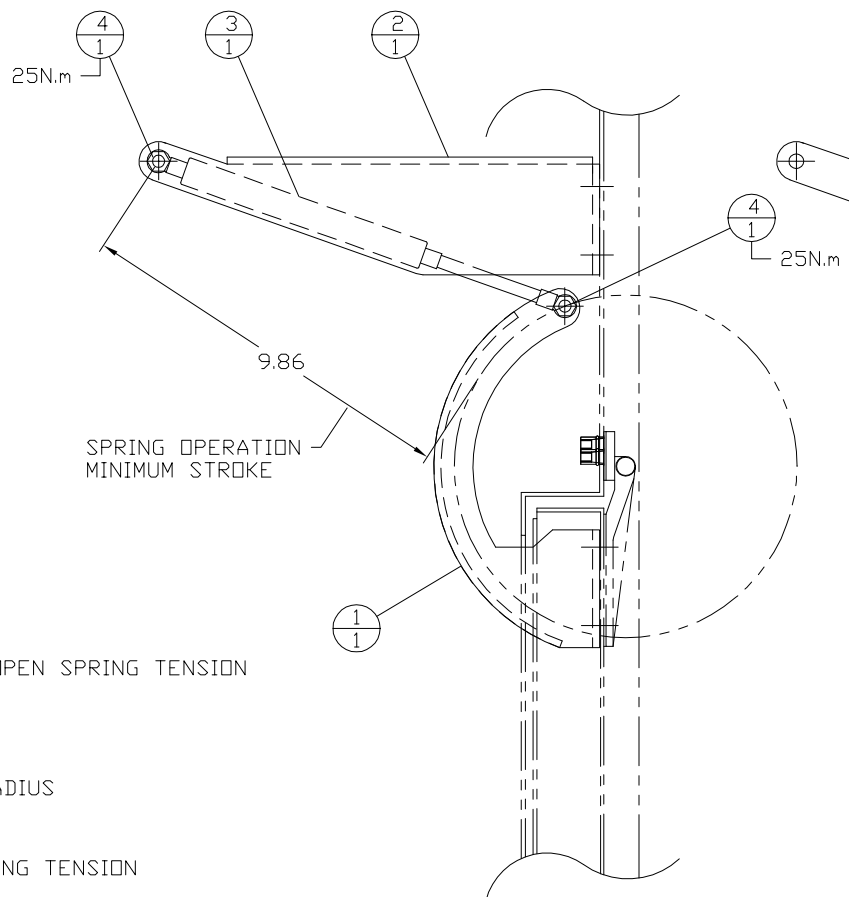
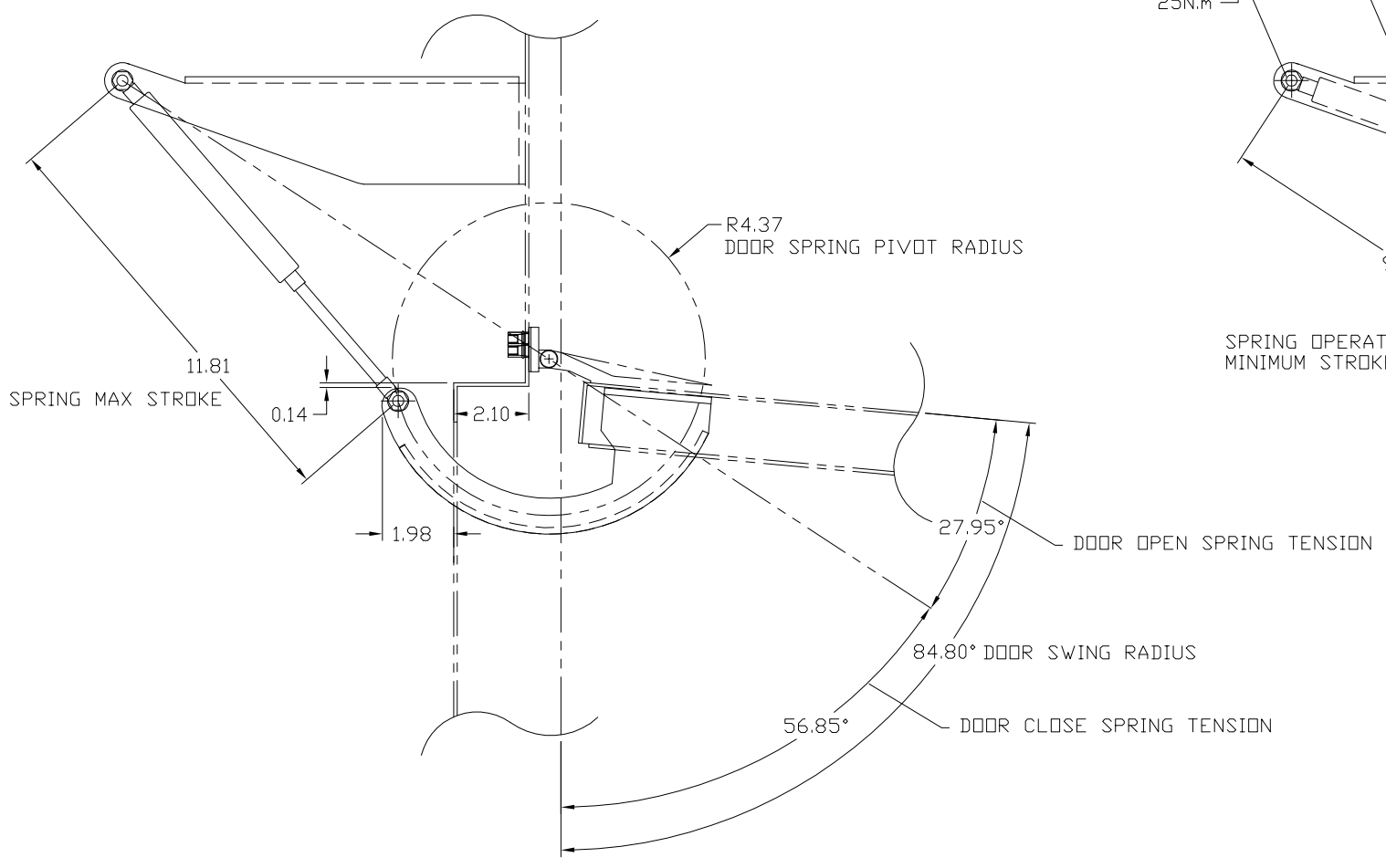
REDUCIBLE FORCE GAS SPRING
 McMASTER-CARR P/N = 6465K3
 EXTENDED LENGTH = 11.81"
 COMPRESSED LENGTH = 7.87"
 STROKE LENGTH = 3.94"
 EXTENSION FORCE = 146 Lbs
 NON-LOCKING



NO. OF ITEM	QTY	MEAS UNIT	CAT PART NO.	ALTORFER PART NO.	NAME
PARTS LIST					
1	1			68E427	BRACKET - SPRING
2	1			68E428	MOUNT - SPRING
3	1			6465K3	GAS SPRING
4	2		6V-8189		NUT 5/16-18



DOOR BRACKET CLEARANCE OPENING



ALTORFER POWER SYSTEMS
 6315 W. FAUBER RD. BARTONVILLE, IL 61607
 PHONE (309) 697-1234 FAX (309) 282-7546

CHANGE NOTICE	DATE BY	FILE		PROJECT REFERENCE	
		DF/68E		XG135A	
	TOLERANCES: X.X ± 0.100 X.XX ± 0.060 X.XXX ± 0.005	THIRD ANGLE PROJECTION	SCALE/SHEET SIZE 1=5/B	DRAWN BY D. RICHARDSON	QUOTE NUMBER 0
	ANGULAR ± 1°		SHEET 1 OF 1	DATE 6/29/2016	WORK ORDER NUMBER 0
TITLE	DOOR SPRING GROUP (ABOVE DOOR)			DRAWING NUMBER 68E429	