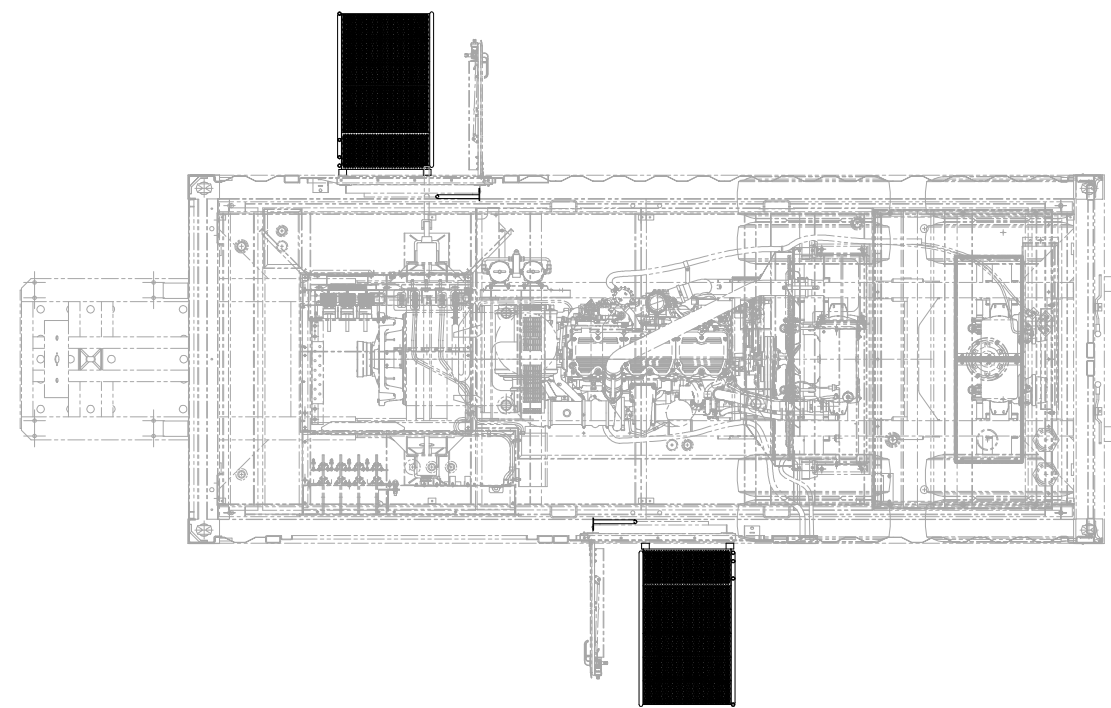
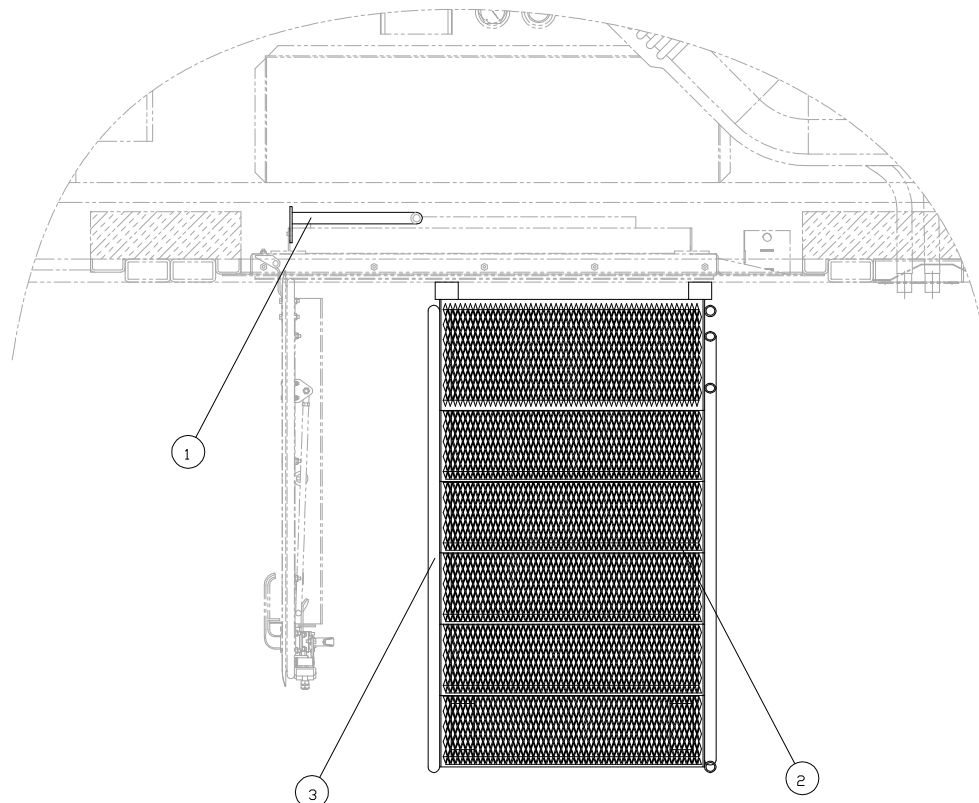


ITEM	QTY.	DESCRIPTION	WEIGHT
1	2	57C233 - GRAB RAIL	3
2	2	224-1197 - LADDER AS.	34
3	2	224-1199 - HANDRAIL AS.	4

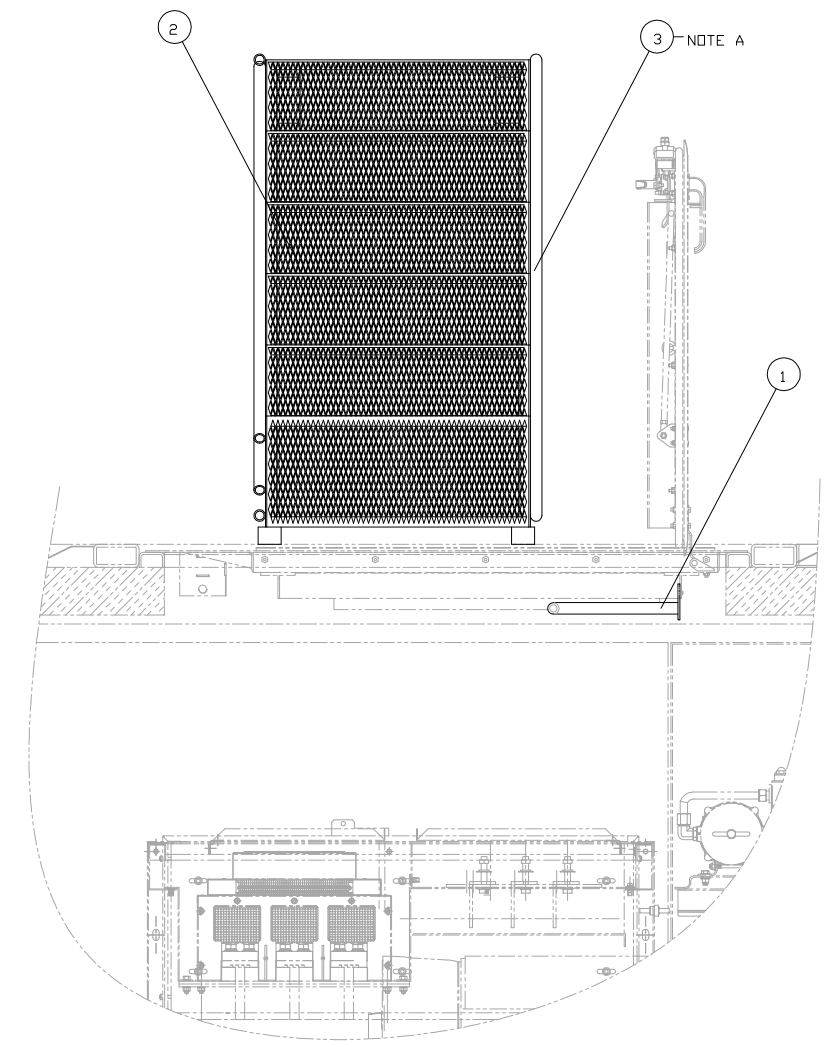
TOTAL WEIGHT = 82 lbs.



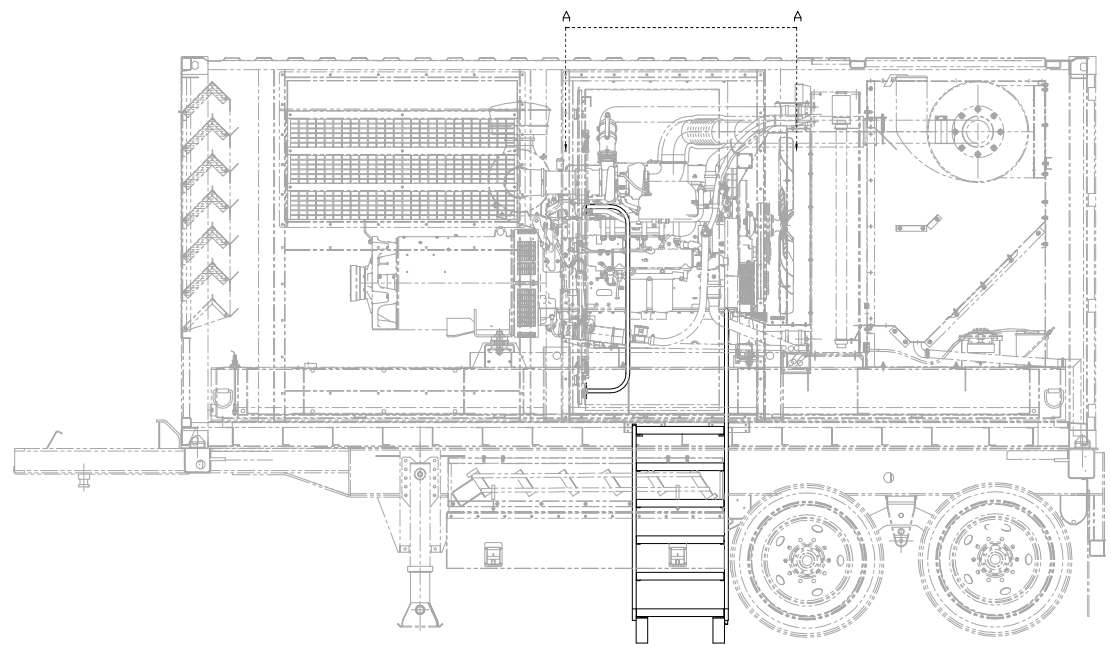
TOP VIEW



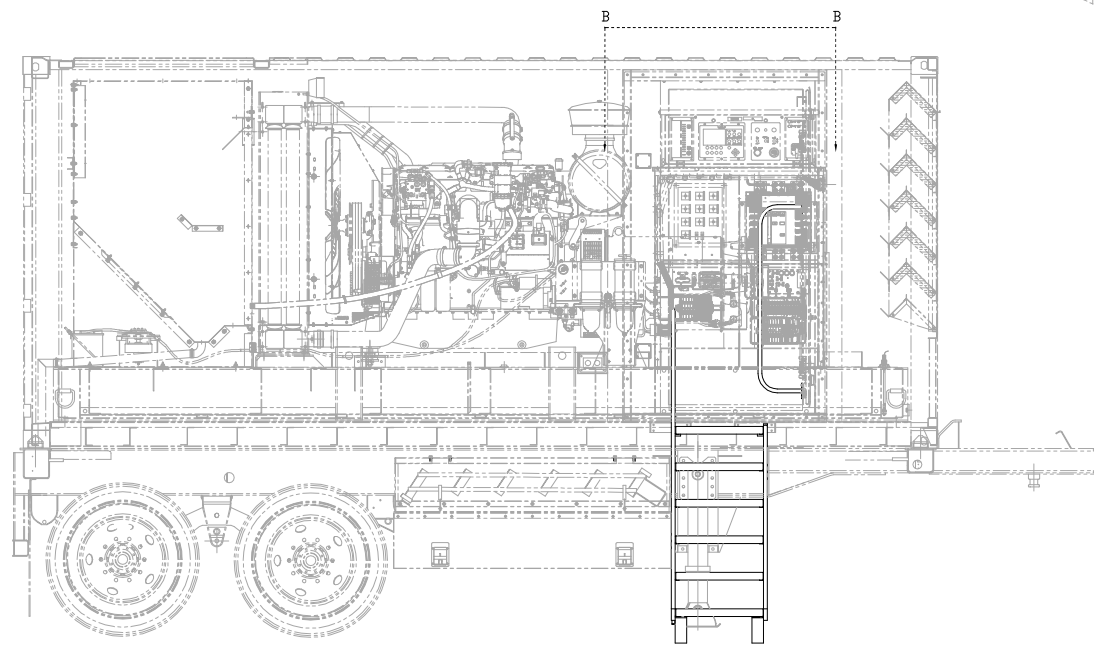
VIEW A-A
SCALE = 3:1



VIEW B-B
SCALE = 3:1



STREET SIDE VIEW



CURB SIDE VIEW

NOTE A: HANDRAIL AS. (2241199) STORED IN CONTAINER

DATE BY	ALTORFER		ALTORFER POWER SYSTEMS	
	6315 W. FAUBER RD. BARTONVILLE, IL 61807		PHONE (309) 697-1234 FAX (309) 282-7546	
CHANGE NOTICE	ALL DIMENSIONS IN INCHES UNLESS OTHERWISE SPECIFIED	FILE	PROJECT REFERENCE	
	TOLERANCES: X.X ± 0.100 X.XX ± 0.050 X.XXX ± 0.005	THIRD ANGLE PROJECTION	DF/57A	XQ500T4 RENTAL GEN SET
	ANGULAR ± 1'	1 OF 1	SCALE/SHEET SIZE	DRAWN BY
	TITLE	LADDER GROUP - ACCESS	1=25/D	B. LOHNES
NO.	1	SHEET	DATE	QUOTE NUMBER
			04/27/10	WORK ORDER NUMBER
				DRAWING NUMBER
				57A243