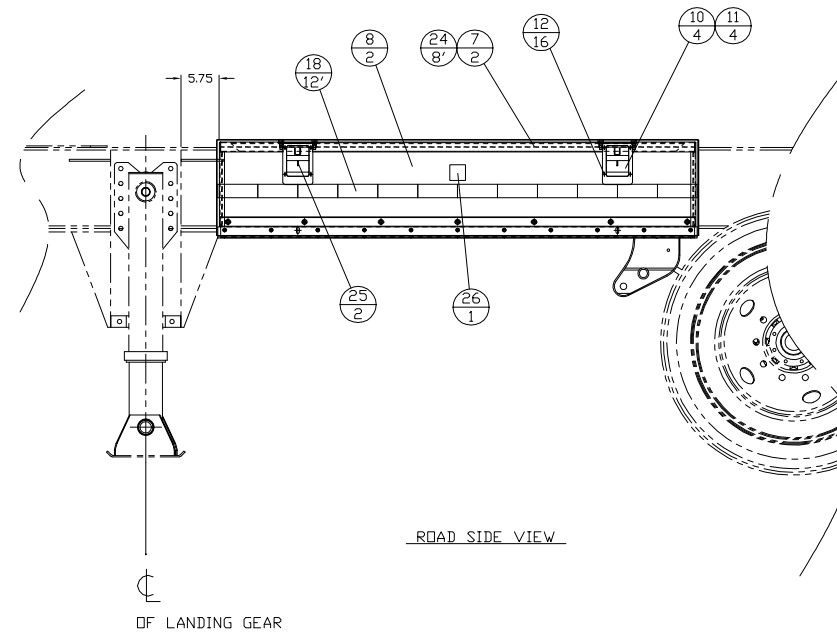
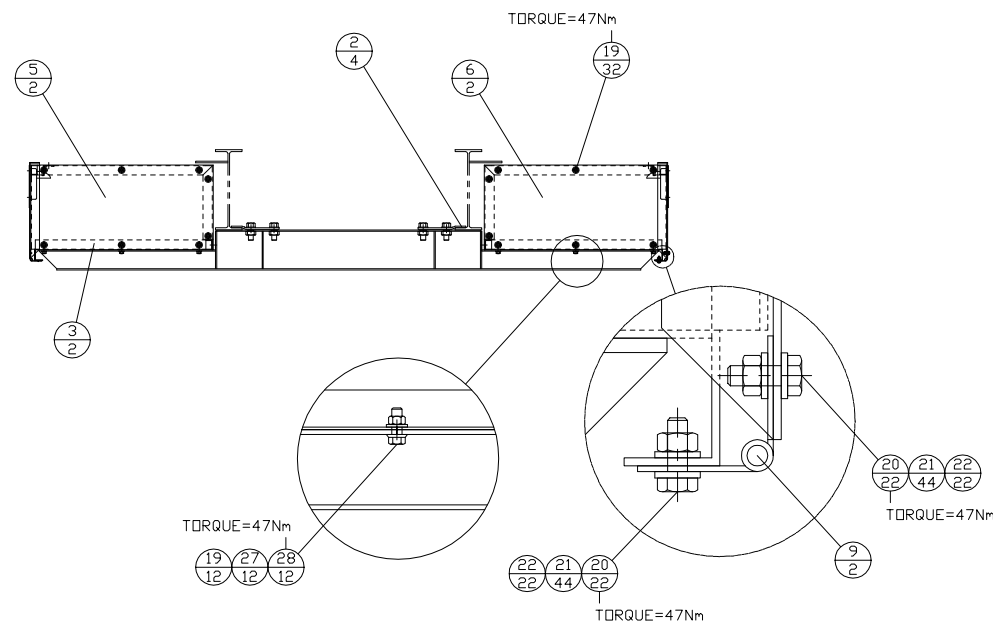
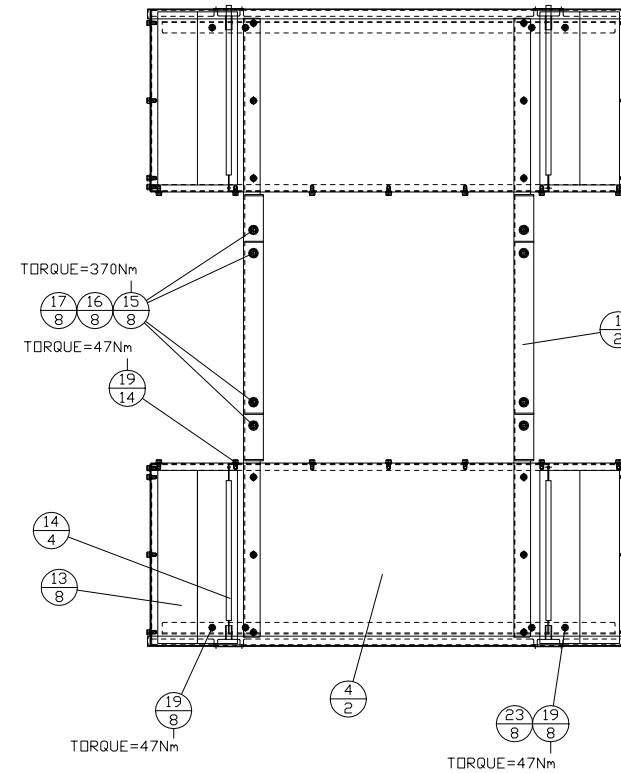


| ITEM | QTY. | PART NO. | DESCRIPTION                          | TORQUE | WEIGHT |
|------|------|----------|--------------------------------------|--------|--------|
| 1    | 2    | 57F243   | SUPPORT ASSEMBLY - LADDER BOX        | -      | 46     |
| 2    | 4    | 57F244-1 | CLAMP PLATE                          | -      | 1      |
| 3    | 2    | 57F245   | BOTTOM - LADDER BOX                  | -      | 68     |
| 4    | 2    | 57F246   | TOP - LADDER BOX                     | -      | 95     |
| 5    | 2    | 57F247   | RH SIDE - LADDER BOX                 | -      | 11     |
| 6    | 2    | 57F248   | LH SIDE - LADDER BOX                 | -      | 11     |
| 7    | 2    | 57F249   | CATCH - LADDER BOX                   | -      | 5      |
| 8    | 2    | 57F250   | DOOR - LADDER BOX                    | -      | 36     |
| 9    | 2    | 57F251-1 | HINGE - LADDER BOX                   | -      | 6      |
| 10   | 4    | 12059-01 | BLACK PADLOCKABLE ENCLOSE SLAM LATCH | -      | -      |
| 11   | 4    | 54D150   | GASKET - LATCH                       | -      | -      |
| 12   | 16   | 6C-3679  | S.S. POP RIVET - 3/16"-1/2"          | -      | -      |
| 13   | 8    | 57F210   | POLYETHYLENE                         | -      | -      |
| 14   | 4    | 3891T24  | STRAP - TIE-DOWN                     | -      | -      |
| 15   | 8    | 7X-0366  | BOLT - 3/4"-10x2"                    | 370Nm  | -      |
| 16   | 8    | 8T-4994  | FLAT WASHER - 3/4"                   | -      | -      |
| 17   | 8    | 3B-4512  | LOCK WASHER - 3/4"                   | -      | -      |
| 18   | 12'  | 31568    | CONSPICUITY TAPE                     | -      | -      |
| 19   | 66   | 345-8531 | FLANGED BOLT - 3/8"-16x1"            | 47Nm   | -      |
| 20   | 44   | 5P-9960  | S.S. BOLT - 1/4"-20x3/4"             | 12Nm   | -      |
| 21   | 88   | 224-6797 | S.S. FLAT WASHER - 1/4"              | -      | -      |
| 22   | 44   | 3E-9865  | LOCK NUT - 1/4"-20                   | -      | -      |
| 23   | 8    | 198-2970 | FLANGED NUT - 3/8"-16                | -      | -      |
| 24   | 16'  | D-2685   | GASKET                               | -      | -      |
| 25   | 2    | 5P-8501  | PADLOCK                              | -      | -      |
| 26   | 2    | 377-8375 | FILM-LADDER (IDENT)                  | -      | -      |
| 27   | 12   | 3K-6060  | NUT-NYLOCK 3/8-16NC                  | -      | -      |
| 28   | 12   | 5P-1075  | WASHER-HARD                          | -      | -      |

TOTAL WEIGHT = 560 lbs.



| NO. | CHANGE NOTICE           | DATE     | BY        |
|-----|-------------------------|----------|-----------|
| 4   | CHGB TO NYLOCK FOR MTG  | 04/17/14 | KAN       |
| 3   | ADDED HARDWARE          | 08/04/11 | B. LOHNES |
| 2   | UPDATED TO PILOT BUILD  | 10/15/10 | B. LOHNES |
| 1   | UPDATED TO CAT HARDWARE | 10/06/10 | B. LOHNES |

|   |  |                               |                        |
|---|--|-------------------------------|------------------------|
| <b>ALTORFER</b>   |  | <b>ALTORFER POWER SYSTEMS</b> |                        |
| 6315 W. FAUBER RD.  |  | PHONE (309) 697-1234          |                        |
| BARTONVILLE, IL 61607   |  | FAX (309) 282-7546            |                        |
| THIS DOCUMENT CONTAINS PROPRIETARY INFORMATION OF ALTORFER, INC. WITHOUT THE WRITTEN PERMISSION OF ALTORFER, INC., ANY COPYING OR OTHER USE EXCEPT THAT FOR WHICH IT WAS INTENDED IS PROHIBITED |  |                               |                        |
| ALL DIMENSIONS IN INCHES UNLESS OTHERWISE SPECIFIED   |  | FILE                          | PROJECT REFERENCE      |
| TOLERANCES:<br>X.X ± 0.100<br>X.XX ± 0.060<br>X.XXX ± 0.005   |  | DF/57A                        | XQ500T4 RENTAL PACKAGE |
| THIRD ANGLE PROJECTION  |  | SCALE/SHEET SIZE              | DRAWN BY               |
| ANGULAR ± 1°  |  | 1=20/C                        | B. LOHNES              |
| TITLE   |  | SHEET                         | DATE                   |
| STORAGE GROUP - LADDER BOX  |  | 1 OF 1                        | 07/26/10               |
|   |  | QUOTE NUMBER                  |                        |
|   |  | WORK ORDER NUMBER             |                        |
|   |  | DRAWING NUMBER                |                        |
|   |  | 57A242-04                     |                        |