

NOTE B: MOUNT FILM ON CONTROL PANEL FLOOR. LABEL IS NOT TO CONTAIN CAT OR CSA LOGO

NOTE C: FOR REQUIRED PRODUCT MARKING SEE.

NOTE D: IDENTIFICATION NAME PLATE SHALL BE PERMANENTLY AFFIXED TO THE INSIDE LOWER SURFACE OF THE CONTROL PANEL ENCLOSURE AND SHALL INCLUDE THE PANEL PART NUMBER, MODEL NUMBER AND DATE CODE OF MANUFACTURE.

NOTE E: MOUNT TETHER STRAPS TO METER PLATE.

NOTE F: CONTROL PANEL ENCLOSURE JOINTS & HARDWARE MOUNTING HOLES SHALL BE SEALED WITH DOW CORNING RTV732.

NOTE G: PLACE GROUND STRAP UNDERNEATH NUT OF CONTROL MODULE

NOTE H: ALL WIRE SHALL BE STRANDED 16 AWG UL & CSA, 90°C, 600VAC INSULATION UNLESS OTHERWISE NOTED BY THE FOLLOWING SYMBOLS.  
 [10] = 10 AWG WIRE  
 [18] = 18 AWG WIRE  
 (G/Y) = GREEN & YELLOW STRIPED WIRE INSULATION.  
 WIRES TO BE CAPPED & SECURED WHEN NOT USED. PROVIDE WIRE ROUTING & HARDWARE TO PREVENT WIRE CHAFFING.

NOTE J: SEGREGATE AC WIRING FROM DC WIRING.

NOTE L: SEE SHEET 7 FOR WIRING DIAGRAM INFORMATION.

NOTE M: CONTROL PANEL DOOR TO TERMINAL STRIP INTERCONNECT WIRE ROUTING, SHALL AVOID SHARP EDGES THAT MAY DAMAGE WIRE INSULATION.

NOTE N: CUT JUMPER BRIDGE TO CONNECT 8 TERMINAL POINTS LABELED "2", CUT JUMPER BRIDGE TO CONNECT TERMINAL LABELED "4" AND "5", CUT JUMPER BRIDGE TO CONNECT 2 TERMINALS LABELED "6", CUT JUMPER BRIDGE TO CONNECT 5 TERMINALS LABELED "7".

NOTE Q: CONTROL PANEL GROUND WIRE SHALL BE 14 AWG WITH GREEN AND YELLOW STRIPED INSULATION RATED 90°C, 600 VAC, UL & CSA. WIRE SHALL BE LABELED "GND" & SHALL HAVE AN APPROPRIATELY SIZED RING TERMINAL FOR 1/4"-20 SCREW.

NOTE R: THE COMPLETED CONTROL PANEL SHALL BE FINISH PAINTED CATERPILLAR POWER MODULE WHITE WITH THE INSTRUMENT DOOR PAINTED FLAT BLACK.

NOTE S: A COMPLETE SET OF ALTORFER DRAWINGS INCLUDING OUTLINE DRAWING, WIRING DIAGRAMS, SCHEMATIC DIAGRAMS, AND INTERCONNECT DIAGRAMS SHALL BE PACKED WITH EACH CONTROL PANEL.

NOTE T: PROGRAMMING - THE CONTROL PANEL SHALL BE SHIPPED WITH A BLANK ECM.

NOTE V: NOTCH SIDES AS REQUIRED FOR WIRE PASSAGE.

NOTE W: ALL CAN DATA LINK WIRING TO BE 153-2707

NOTE X: PLACE WASHER BETWEEN SUBPAN AND RAIL FOR SPACING

NOTE Z: PLACE COMPONENT LABELS F1 THROUGH F8 ON PANDUIT COVER, ABOVE EACH FUSE IN LEFT TO RIGHT ORDER AS FOLLOWS, F8, F7, F1, F2, F3.

NOTE AA: PARTS TO CONNECT TO ANNUNCIATOR.

EMCP4.2 SETTINGS  
 ANALOG INPUT #2 (VOLTAGE)  
 0.5 TO 4.5V  
 DESIRED GEN VOLT  
 MIN DATA -10  
 MAX DATA 10

400V 50Hz	480V 60Hz		
208V 60Hz	240V 60Hz		
POSITION 1	ON POSITION 2		
GROUP SELECTION			
SELECTION	ACS	LINKBOARD	GROUP #
480V 60Hz	OFF	HV	1
240V 60Hz	OFF	LV	2
400V 50Hz	ON	HV	3
208V 60Hz	ON	LV	4

ITEM	QTY	PART NO.	NAME	ITEM	QTY	PART NO.	NAME
PARTS LIST				PARTS LIST			
1	1	292-0065	FILM	81	1	276-7456	FILM-IDENT
2	1	3E-3389	WEDGE-RECP LOCK	82	2	171-6256	BAR-FIXED BRIDGE
3	1	7C-0974	FILM-WARNING	83	1	54E321	MARKER KIT
4	1	195-5975	PLATE AS	AA	84	155-2273	PLUG AS-CONN
5	1	7C-2954	GASKET-MODULE	AA	85	155-2263	WEDGE-PLUG LOCK
6	2	7G-9730	LAMP AS.	86	1	134-2305	SEAL
7	2	7N-5876	LAMP-MINIATURE	87	1	398-7248	EM15 IVR MODULE
8	1	8D-2676	SWITCH AS-TOGGLE	88	4	91255A274	BOLT - 10-32 X 1-1/4" LONG
9	1	8T-2882	HANDLE-PULL	89	4	4B-4863	WASHER-HARD (10-32)
10	6	9F-8125	LOCKWASHER-TOOTH	90	1	416-1367	P2 PLUG HOUSING
11	2	121-4721	STRIP-DUST SEAL	91	1	416-1332	P2 INTERFACE SEAL
12	2	121-4722	STRIP-DUST SEAL	92	1	416-1333	P2 WIRE SEAL
13	1	103-6272	SEAL-CONTROL	93	1	366-9370	P3 PLUG HOUSING
14	2	125-0171	LOCK AS	94	1	416-1335	P3 INTERFACE SEAL
15	2	126-7491	STRAP	95	1	416-1334	P3 WIRE SEAL
16	4	136-3376	MOUNT-VIBRATION	96	1	351-9187	P4 PLUG HOUSING
17	8	137-1352	WASHER	97	1	416-1336	P4 INTERFACE SEAL
18	1	258-4940	PANEL AS.-BOX	98	1	416-1337	P4 WIRE SEAL
19	8	211-0089	NUT-HEX FLANGE	99	8	244-0452	CONTACT
20	1		FILM-INFO	100	1	MW22B-10-1K	POTENTIOMETER - 1K 10 TURN
21	10	099-6418	NUT-FLANGE (M6-1.0)	101	4	6V-5157	INSERT (10-32)
22	1	450-9606	CONTROL GP-ELECT (EMCP4.2)				
23	1	268-9278	PANEL AS				
24	1	243-4174	STRAP-GROUND				
25	1	54E324	BRACKET				
26	1	155-5234	INDICATOR AS.				
27	1	263-7740	FILM-CONT PANEL		1	HFB	HOLDER-FUSE (SR-WP)
28	1	109-6507	SWITCH-OPERATOR		1	ABC-10	FUSE (10A BUSSMANN)
29	2	2D-6235	LOCKNUT		11	126-1768	SOCKET-CONNECTOR
30	2	2N-3478	SCREW-MACHINE		5	126-1767	PIN-CONNECTOR (GOLD)
31	6	2N-3479	SCREW-MACHINE		1	102-8802	RECEPTACLE ASSY. (2 PIN)
32	2	2N-3480	SCREW-MACHINE		1	155-2270	PLUG ASSY. (2 PIN)
33	12	3E-9865	LOCKNUT		1	102-8804	RECEPTACLE ASSY.-4 PIN
34	22	4B-2041	NUT		1	155-2271	PLUG ASSY.-4 PIN
35	4	4B-2047	NUT		2	9G-3695	PLUG-SEALING
36	20	4B-4274	WASHER				MISC REF
37	24	8T-4205	WASHER-HARD	C	1	6L-4502	PROD MARKING SYS
38	8	8T-9364	BOLT		1	54E401	DIAGRAM-WIRING
39	4	8T-9368	BOLT				
40	1		CONTROL GP. (EXISTING)				
41	1	244-9613	GASKET-ALARM (SHIP LOOSE)				
42	1	195-0534	RECEPTACLE AS.				
43	1	9X-0145	RECEPTACLE AS.				
44	1	9X-7148	RECEPTACLE AS.				
45	32	9X-6259	SCREW-MACHINE				
46	2	4W-5972	KNOB				
47	1	129-0308	POTENTIOMETER				
48	2	7C-4550	SEAL-ROT SFT				
49	1	3T-0270	RESISTOR				
50	4	6V-8185	NUT-FULL				
51	1	54E323	PANEL AS.				
52	2	111-1324	BLOCK				
53	1	111-1325	BLOCK				
54	2	3N-5977	BLOCK				
55	12	096-6166	WASHER-HARD				
56	3	7W-0482	FUSE (2A. 600V)				
57	2	6V-7802	FUSE (10A.600V)				
58	1	166-6162	DUCT-WIRE				
59	1	166-6156	DUCT-WIRE				
60	28	3L-8187	LOCKWASHER-#6				
61	1	097-5921	RAIL-MTG				
62	2	8F-5758	SCREW-MACHINE				
63	2	7H-3937	LOCKWASHER-TOOTH				
64	1	7343K711	SWITCH - TOGGLE				
65	3	171-6260	COVER-END				
66	20	314-9086	BLOCK-TERMINAL				
67	2	314-9101	BRACKET-END				
68	42	9X-3402	SOCKET-CONNECTOR (GOLD)				
69	5	133-0970	RECEPTACLE AS.				
70	12	174-0502	PLUG AS.-CONN				
71	7	155-2266	WEDGE-PLUG LOCK				
72	5	155-2276	WEDGE-PLUG LOCK				
73	3	174-3016	PLUG AS.-RES				
74	1	160-7689	PLUG AS.-CONN				
75	28	126-1768	SOCKET-CONNECTOR (GOLD)				
76	72	9G-3695	PLUG-SEALING				
77	2	9W-1951	RECEPTACLE AS.				
78	7	9X-3401	PIN-CONNECTOR (GOLD)				
79	51	126-1767	PIN-CONNECTOR (GOLD)				
80	10	324-8967	BLOCK-TERMINAL				

NOTE: ITEM 40 IS EXISTING AT ALTORFER AND WILL BE INSTALLED AT CONTROL PANEL INSTALLATION.

**ALTORFER POWER SYSTEMS**  
 6315 W. FAJER RD. PHONE (309) 697-1234  
 BARTONVILLE, IL 61607 FAX (309) 292-7546

THIS DOCUMENT CONTAINS PROPRIETARY INFORMATION OF ALTORFER, INC. WITHOUT THE WRITTEN PERMISSION OF ALTORFER, INC., ANY COPYING OR OTHER USE EXCEPT THAT FOR WHICH IT WAS INTENDED IS PROHIBITED.

DATE OF PURCHASE/AS-BUILT: 07/07/2019	DATE OF REVISED/AS-BUILT: 05/06/2015	SCALE/SHEET SIZE: DF/54E	PROJECT REFERENCE: XQ400/300M RENTAL UNIT
DATE OF CORRECTED WIRING: 05/06/2015	DATE OF CORRECTED WIRING: 05/06/2015	SCALE/SHEET SIZE: 1=40/D	DATE: 05/06/2015
DATE OF CHANGE ACS, LB TERMINATIONS: 05/06/2015	DATE OF CHANGE ACS, LB TERMINATIONS: 05/06/2015	SCALE/SHEET SIZE: 1 OF 7	DATE: 05/06/2015
DATE OF CHANGE WIRING: 05/06/2015	DATE OF CHANGE WIRING: 05/06/2015	SCALE/SHEET SIZE: 1 OF 7	DATE: 05/06/2015

TOLERANCES:  
 XXX ± 0.100 ANGLE  
 X.XX ± 0.060 PROJECTION  
 X.XXX ± 0.005 SHEET  
 ANGULAR ± 1°

FOR USE WITH  
**XQ300ARM - C9**  
**XQ400ARM - C15**

TITLE: XQ300M DUAL VOLTAGE (240/480V)  
 PANEL AR-EMCP4.2 & IVR MODULE

DRAWING NUMBER: 54E320-05

ABBREVIATIONS

A	AMMETER	NC	NORMALLY CLOSED
ACS	AUTO CONFIG SWITCH	NO	NORMALLY OPEN
ADS	ENGINE COMBUSTION AIR DAMPER POSITION SWITCH	OCL	OVERCRANK LIGHT
AFCR	AUXILIARY FUEL CONTROL RELAY	OCR	OVERCURRENT RELAY
AL	AMBER LIGHT	OCT	OVERCRANK TIMER
ALM	ALARM MODULE	OP	OIL PRESSURE
ALS	ALARM SILENCE PUSH BUTTON	OVR	OVERVOLTAGE RELAY
ALT	ALTERNATOR	OPG	OIL PRESSURE GAGE
AR	ARMING RELAY	OPL	OIL PRESSURE LIGHT
ASOS	AIR SHUT-OFF SOLENOID	OSL	OVERSPEED LIGHT
ASR	AIR SHUT-OFF RELAY	PGSC	PRIMARY GENERATOR SERVICE CONNECTOR
ASSV	AIR START SOLENOID VALVE	PL	PANEL ILLUMINATION LIGHT
ATB	AC TRANSFORMER BOX	PLS	PANEL LIGHT SWITCH
AUX	AUXILIARY TERMINAL STRIP	PMG	PERMANENT MAGNET GENERATOR
AUXREL	AUXILIARY RELAY (CRANK TERMINATION)	POT	POTENTIOMETER
AWG	AMERICAN WIRE GAUGE	PP	PRELUBE PUMP
BATT	BATTERY	PPMS	PRELUBE PUMP MAGNETIC SWITCH
BCF	BATTERY CHARGER FAILURE SWITCH	PPPS	PRELUBE PUMP OIL PRESSURE SWITCH
BVPR	BATTERY VOLTAGE PRESENT RELAY	PR	PRE-REGULATOR
C	COMMON	PROG	PROGRAMMABLE
CAM	CUSTOM ALARM MODULE	PS	PINION SOLENOID
CAR	COMMON ALARM RELAY	PSS	PERSONNEL SAFETY SWITCH
CB	CIRCUIT BREAKER	RAN	REMOTE ANNUNCIATOR
CCM	CUSTOMER COMMUNICATION MODULE	RES	RESISTOR
CDM	ENGINE COOLDOWN TIMER MODULE	RL	RED LIGHT
CR	CONTROL RELAY	RLY	RELAY
CT	CURRENT TRANSFORMER	RPL	REVERSE POWER LIGHT
CTR	CRANK TERMINATION RELAY	RPR	REVERSE POWER RELAY
D	DIODE	RPSR	REVERSE POWER SLAVE RELAY
DCV	DC VOLTMETER	RR	RUN RELAY
DS	DIAGNOSTIC SWITCH	SASV	START AID SOLENOID VALVE
ECLS	ENGINE COOLANT LOSS SENSOR	SATS	START AID TEMPERATURE SWITCH
ECS	ENGINE CONTROL SWITCH	SAS	START AID SWITCH
ECTS	ENGINE COOLANT TEMPERATURE SENSOR	SBCT	SERIES BOOST CURRENT TRANSFORMER
EFGR	EMERGENCY FUEL CONTROL RELAY	SBM	SERIES BOOST MODULE
EFL	ENGINE FAILURE LIGHT	SEC	SECOND
EG	ELECTRONIC GOVERNOR (SPEED SENSING)	SGSC	SECONDARY GENERATOR SERVICE CONNECTOR
EGA	ELECTRONIC GOVERNOR ACTUATOR	SHTC	CIRCUIT BREAKER SHUNT TRIP COIL
EGR	ELECTRONIC GOVERNOR RELAY	SIG	SIGNAL
EMCP	EMCP4.2 CONTROLLER	SL	SYNCHRONIZING LIGHT
ENFR	ENGINE FAILURE RELAY	SLM	SYNCHRONIZING LIGHT MODULE
ENG	ENGINE	SLR	SYNCHRONIZING LIGHT RESISTOR
EOPS	ENGINE OIL PRESSURE SENSOR	SM	STARTING MOTOR
EOTS	ENGINE OIL TEMPERATURE SENSOR	SMMS	STARTING MOTOR MAGNETIC SWITCH
ESPB	EMERGENCY STOP PUSH BUTTON	SMR	STARTING MOTOR RELAY
ESL	EMERGENCY STOP LIGHT	SP	SPEED ADJUST POTENTIOMETER
EXC	GENERATOR EXCITER	SR	SLAVE RELAY
F	FUSE	SS	SYNCHRONIZING SWITCH
FCR	FUEL CONTROL RELAY	T	GENERATOR LINE LEADS
FLG	FUEL LEVEL GAUGE	TD	TIME DELAY RELAY
FLSU	FUEL LEVEL SENDING UNIT	TSC	TRANSFER SWITCH POSITION INDICATING CONTACT
FS	FUEL SOLENOID	V	AC VOLTMETER
FSOS	FUEL SHUT-OFF SOLENOID	VAR	VOLTAGE ADJUST RHEOSTAT
FCTM	FUEL CONTROL TIMER MODULE	VAS	VOLTMETER / AMMETER SWITCH
GFR	GENSET FAULT RELAY	WT	WATER TEMPERATURE
GOV	GOVERNOR	WTC	WATER TEMPERATURE GAGE
GRR	GENSET RUN RELAY	WTL	WATER TEMPERATURE LIGHT
GS	GOVERNOR SWITCH	WTL	WATER TEMPERATURE LIGHT
GSC	GENERATOR SET CONTROL	XDUCER	TRANSDUCER
GSM	GOVERNOR SYNCHRONIZING MOTOR	Z	ZENER DIODE
GSOV	GAS SHUT-OFF VALVE		
HZ	FREQUENCY METER		
HFLAS	HIGH FUEL LEVEL ALARM SWITCH		
IC	REMOTE START/STOP INITIATE CONTACT		
IAHR	INTAKE AIR HEATER RELAY		
IH	INTAKE HEATER		
IVR	INTEGRATED VOLTAGE REGULATOR		
L	LOAD LEADS		
LBS	LINK BOARD SWITCH		
LDS	LOAD DOOR SWITCH		
LFL	LOW FUEL LEVEL LIGHT		
LFLAS	LOW FUEL LEVEL ALARM SWITCH		
LFLR	LOW FUEL LEVEL RELAY		
LFS	LATCHING FUEL CONTROL SOLENOID		
LOLAS	LOW OIL LEVEL ALARM SWITCH		
LWLAS	LOW WATER LEVEL ALARM SWITCH		
MAN	MANUAL		
MPU	MAGENTIC SPEED PICKUP		

SYMBOLS

	A.C. CONNECTOR (JC)		ADJUSTABLE LOW-HI
	CONTROL PANEL TERMINAL POINT		AC VOLTS
	VOLTAGE REGULATOR TERMINAL POINT		LOW OIL PRESSURE
	DC CONNECTOR #1 (JA)		OVERSPEED
	DC CONNECTOR #2 (JB)		EMERGENCY STOP
	DC POWER BOX CONNECTOR		FAIL TO START (OVER CRANK)
	DC POWER BOX TERMINAL POINT		LOW FUEL LEVEL
	STANDARD WIRING		LOW COOLANT TEMPERATURE
	ENGINE WIRING		HIGH COOLANT TEMPERATURE
	CUSTOMER WIRING		STARTING AID-ETHER
	ALTERNATIVE WIRING		HORN
	SHIELDED WIRE		HORN SILENCE/ACKNOWLEDGE SWITCH
	ENGINE MOUNTED COMPONENT		RAISE
	TIME CLOSED CONTACT		LOWER
	TIMED OPENED CONTACT		ON
	TIMED CLOSED TIMED OPENED CONTACT		OFF
	RELAY CONTACT (NORMALLY OPEN)		LIQUID LEVEL SWITCH
	RELAY CONTACT (NORMALLY OPEN)		LAMP
	RELAY CONTACT (NORMALLY CLOSED)		LAMP
	RELAY CONTACT (NORMALLY CLOSED)		PANEL ILLUMINATION LIGHT
	GENERATOR FRAME (CHASSIS) GROUND		ENGINE INTAKE AIR DAMPER CLOSED
	EARTH GROUND		SYSTEM BATTERY VOLTAGE
	PRESSURE SWITCH		SERVICE HOURS
	PRESSURE SWITCH		ENGINE-STOP
	TEMPERATURE SWITCH		ENGINE RPM
	TEMPERATURE SWITCH		LAMP/DISPLAY TEST
	MANUALLY OPERATED CONTROL		GENERATOR SYNCHRONIZING INDICATOR
	OPERATED BY TURNING		AMMETER VOLTMETER PHASE SELECTOR SWITCH
	SPEED SWITCH CONTACT		REVERSE POWER
	SPEED SWITCH CONTACT		BATTERY CHARGER MALFUNCTION
	BREAKDOWN DIODE BIDIRECTIONAL		
	BREAKDOWN DIODE BIDIRECTIONAL		
	DIODE		
	DIODE		
	FUSE		
	FUSE		
	EMERGENCY SWITCH		
	RELAY COIL		
	RELAY COIL		
	CIRCUIT BREAKER		
	CIRCUIT BREAKER		
	AUTOMATIC RESET		
	NON-AUTO RESET		
	AUTOMATIC START-STOP MODE		
	SYSTEM NOT IN AUTOMATIC START-STOP MODE		
	CRANK		

ABBREVIATIONS AND SYMBOLS

FOR NOTES SEE SHEET 1

FOR USE WITH  
XQ300ARM - C9  
XQ400ARM - C15

400V 50Hz	480V 60Hz		
208V 60Hz	240V 60Hz		
POSITION 1	ON		
	POSITION 2		
	OFF		
GROUP SELECTION			
SELECTION	ACS	LINKBOARD	GROUP#
480V 60Hz	OFF	HV	1
240V 60Hz	OFF	LV	2
400V 50Hz	ON	HV	3
208V 60Hz	ON	LV	4

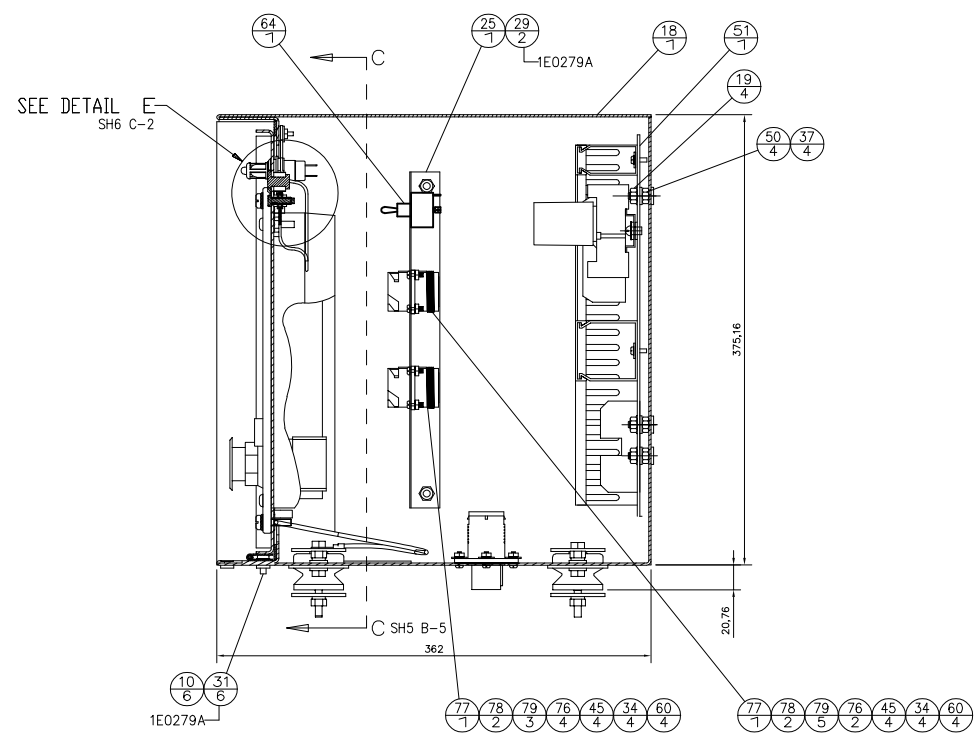
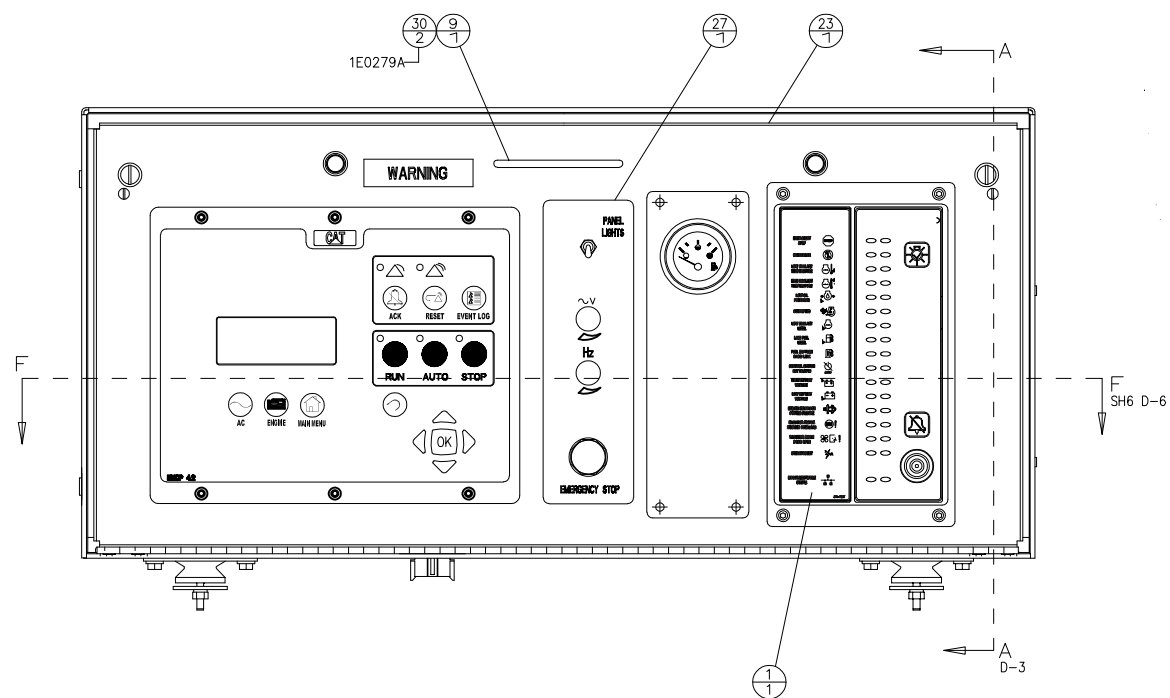
GENERATOR RATINGS

480V 60Hz	300kW	375kVA
400V 50Hz	240kW	300kVA
208V 60Hz	236kW	295kVA

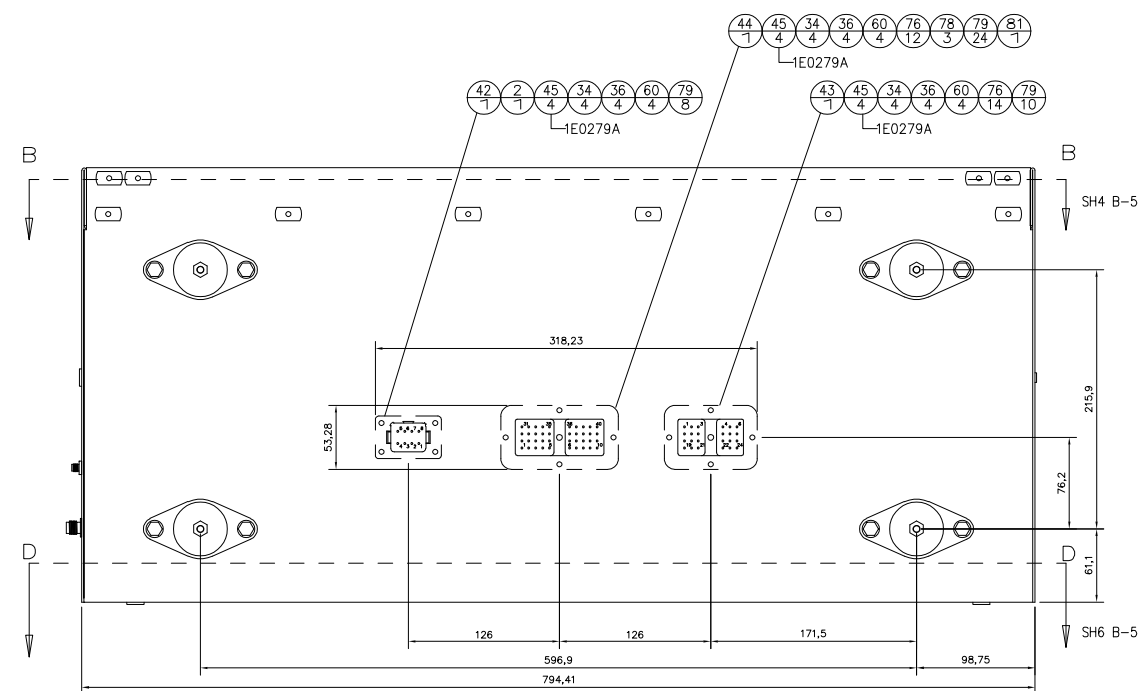
01/07/2018	05/26/2018	06/12/2018	06/21/18	06/21/18	06/21/18
UPDATE TO PURCHASE/AS-BUILT	CORRECT P/N OF SHEET & W/ RPT ON SHEET	CORRECT WIRING OF SPEED PICK UP ON SHEET	CORRECT VAR WIRING	RELEASE FOR PROCUREMENT	CHANGE ACS, LBS TERMINATIONS
4	3	2	1	1	1
CHANGE NOTICE					
ALL DIMENSIONS IN INCHES UNLESS OTHERWISE SPECIFIED					
TOLERANCES:		THIRD ANGLE PROJECTION	SCALE/SHEET SIZE	FILE	PROJECT REFERENCE
X.X ± 0.100	ANGLE	1=40/D	DF/54E	XQ400/300RM	RENTAL UNIT
X.XX ± 0.060					
X.XXX ± 0.005					
ANGULAR ± 1°					
TITLE	2 OF 7	DATE	05/06/2015	DRAWN BY	D. ROLING
				QUOTE NUMBER	-
				WORK ORDER NUMBER	-
				DRAWING NUMBER	54E320-05
XQ300RM DUAL VOLTAGE (240/480V) PANEL AR-EMCP4.2 & IVR MODULE					

**ALTORFER**  
6315 W. FAUBER RD. BARTONVILLE, IL 61607  
PHONE (309) 697-1234 FAX (309) 252-7546

THIS DOCUMENT CONTAINS PROPRIETARY INFORMATION OF ALTORFER, INC. WITHOUT THE WRITTEN PERMISSION OF ALTORFER, INC., ANY COPYING OR OTHER USE EXCEPT THAT FOR WHICH IT WAS INTENDED IS PROHIBITED.



SECTION A-A  
D-5



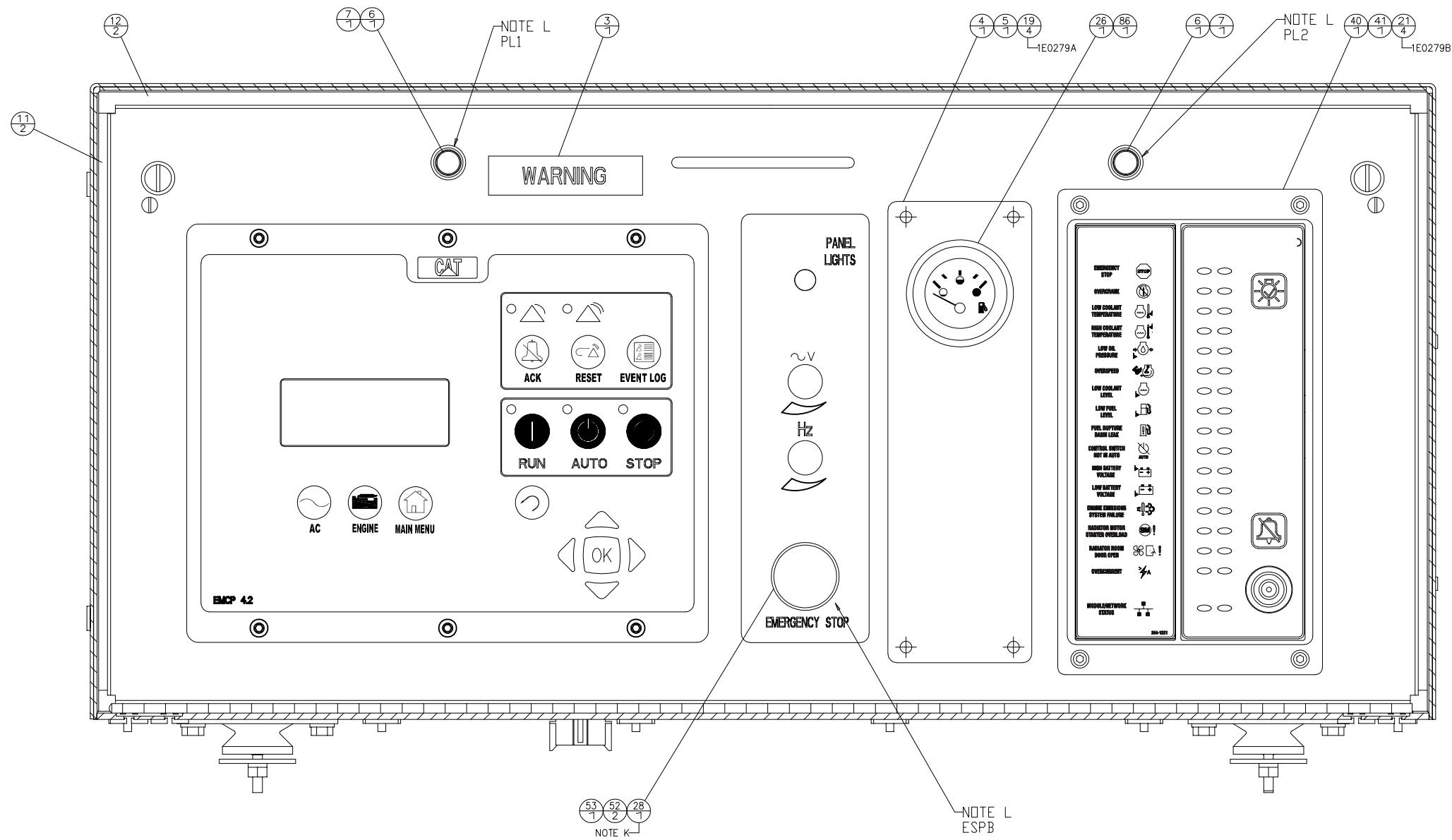
FOR USE WITH  
XQ300ARM - C9  
XQ400ARM - C15

FOR NOTES SEE SHEET 1

5	UPDATE TO PURCHASE/AS-BUILT	01/07/2018	D. ROLING
4	CORRECT P/N OF SHEET & W/RT ON SHEET	08/26/2018	D. ROLING
3	CORRECT WIRING OF SHEET POST ON SHEET	06/17/2018	D. ROLING
2	RELEASE FOR PROCUREMENT	2/22/18	D. ROLING
1	CHANGE ACS, USB TERMINATIONS	06/11/15	D. ROLING
NO.	CHANGE NOTICE	REV.	DATE
<p>THIS DOCUMENT CONTAINS PROPRIETARY INFORMATION OF ALTORFER, INC. WITHOUT THE WRITTEN PERMISSION OF ALTORFER, INC., ANY COPYING OR OTHER USE EXCEPT THAT FOR WHICH IT WAS INTENDED IS PROHIBITED.</p> <p>ALL DIMENSIONS IN INCHES UNLESS OTHERWISE SPECIFIED</p> <p>TOLERANCES: X.X ± 0.100 ANGLE PROJECTION X.XX ± 0.060 SHEET ANGLULAR ± 1°</p>			
FILE		PROJECT REFERENCE	
DF\54E		XQ400/300RM RENTAL UNIT	
SCALE/SHEET SIZE	1=40/D	DRAWN BY	D. ROLING
DATE	05/06/2015	WORK ORDER NUMBER	-
SHEET	3 OF 7	DRAWING NUMBER	54E320-05
TITLE			
XQ300RM DUAL VOLTAGE (240/480V) PANEL AR-CMCP4.2 & IWR MODULE			



**ALTORFER POWER SYSTEMS**  
6315 W. FAUBER RD. PHONE (309) 697-1234  
BARTONVILLE, IL 61607 FAX (309) 252-7546

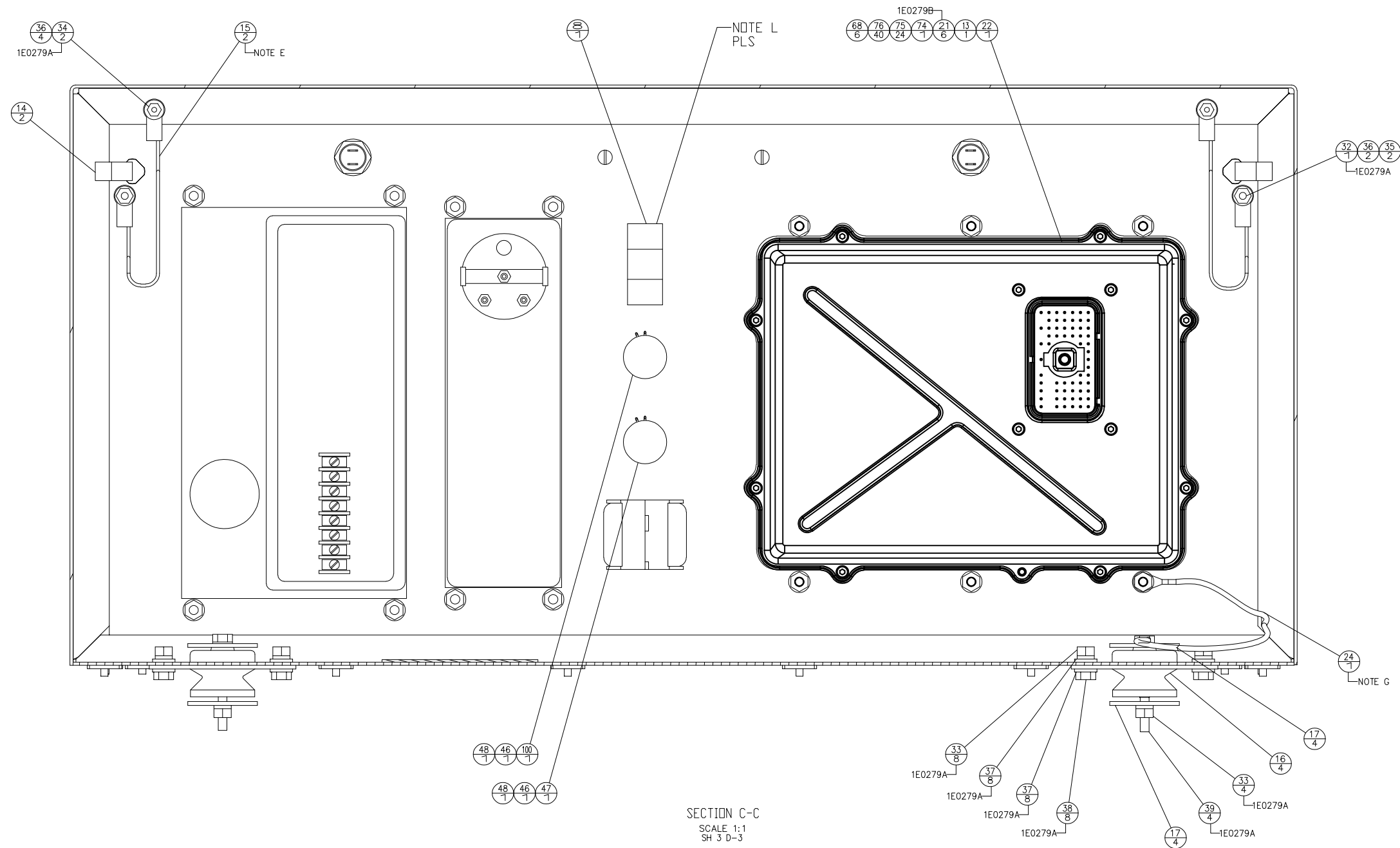


SECTION B-B  
SCALE 1:1  
SH 3 C-5

FOR USE WITH  
XQ300ARM - C9  
XQ400ARM - C15

FOR NOTES SEE SHEET 1

5 UPDATE TO PURCHASE/AS-BUILT 01/07/2019 4 CORRECT P/N OF SHEET & W. RPT ON SHEET 04/28/2018 3 CORRECT WIRING OF SPEED POST ON SHEET 06/12/2018 2 RELEASE FOR PROCUREMENT 2/22/18 1 CHANGE ACS, LBS TERMINATIONS 04/11/15		<b>ALTORFER</b> ALTORFER POWER SYSTEMS 6315 W. FAUBER RD. PHONE (309) 697-1234 BARTONVILLE, IL 61607 FAX (309) 292-7546	
THIS DOCUMENT CONTAINS PROPRIETARY INFORMATION OF ALTORFER, INC. WITHOUT THE WRITTEN PERMISSION OF ALTORFER, INC., ANY COPYING OR OTHER USE EXCEPT THAT FOR WHICH IT WAS INTENDED IS PROHIBITED.		ALL DIMENSIONS IN INCHES UNLESS OTHERWISE SPECIFIED TOLERANCES: X.X ± 0.100 X.XX ± 0.060 X.XXX ± 0.005 ANGULAR ± 1°	
FILE DF\54E SCALE/SHEET SIZE 1=40/D SHEET 4 OF 7		PROJECT REFERENCE XQ400/300RM RENTAL UNITS DRAWN BY D. ROLING DATE 05/06/2015 WORK ORDER NUMBER DRAWING NUMBER 54E320-05	
TITLE XQ300RM DUAL VOLTAGE (240/480V) PANEL AR-EMCP4.2 & IVR MODULE			



SECTION C-C  
SCALE 1:1  
SH 3 D-3

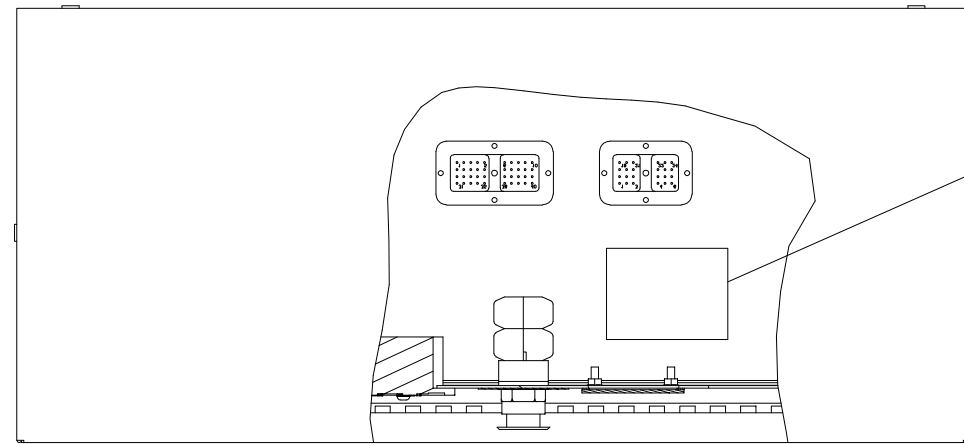
FOR USE WITH  
XQ300ARM - C9  
XQ400ARM - C15

FOR NOTES SEE SHEET 1

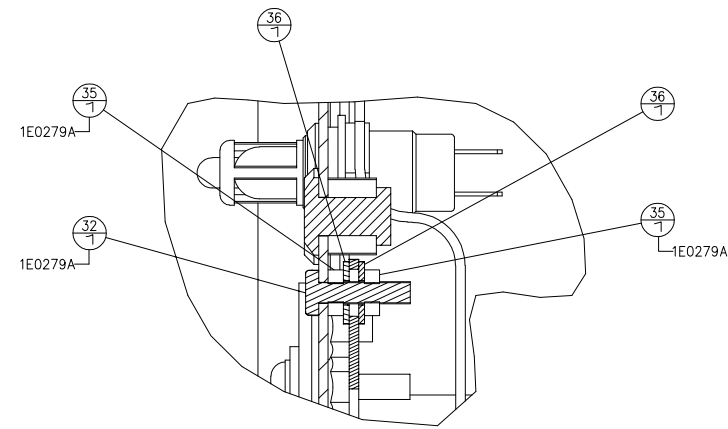
5	UPDATE TO PURCHASE/AS-BUILT	07/07/2019	D. ROLING
4	CORRECT PAN OF SHEET & W. RPT ON SHEET	05/26/2018	D. ROLING
3	CORRECT WIRING OF SHEET POST ON SHEET	05/17/2018	D. ROLING
2	RELEASE FOR PROCUREMENT	2/22/18	D. ROLING
1	CHANGE ACS, LBS TERMINATIONS	06/11/15	D. ROLING
NO.	CHANGE NOTICE	DATE	BY

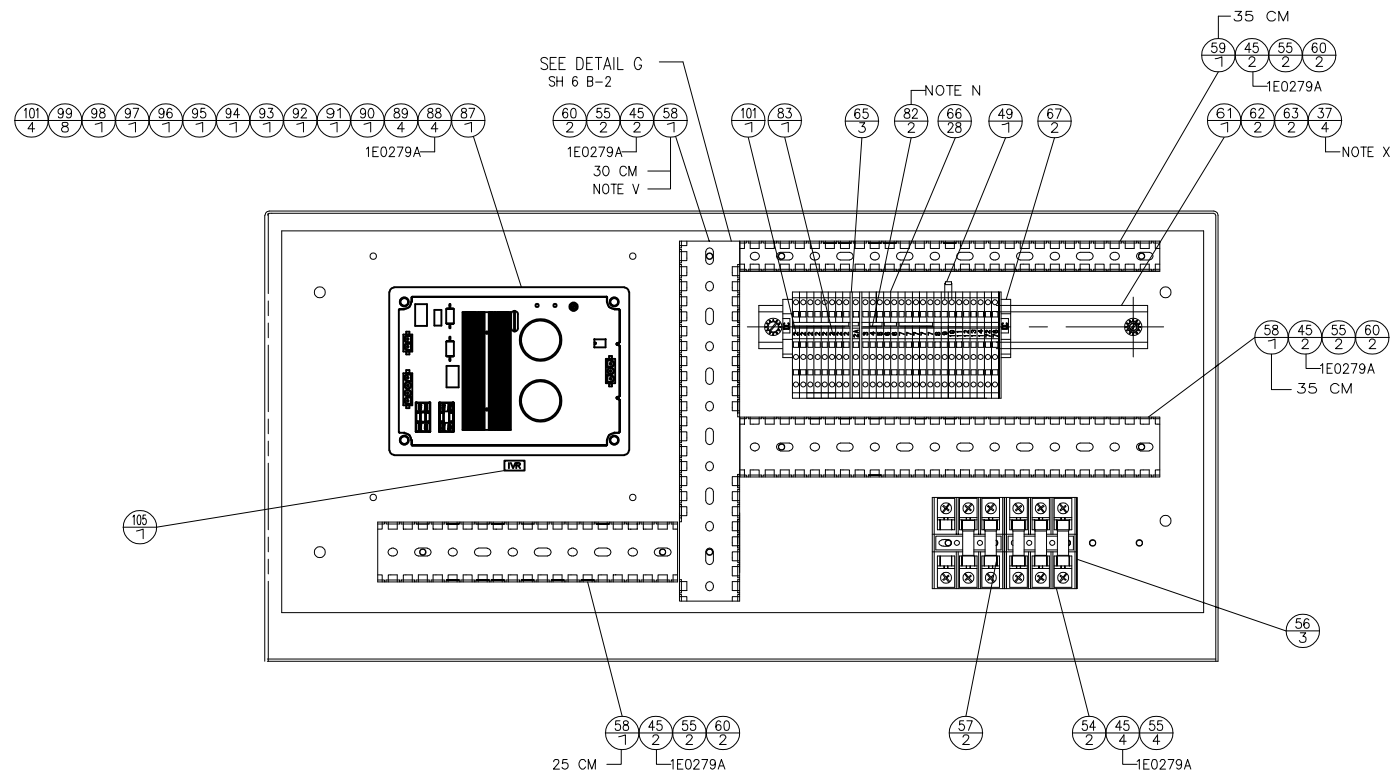
<b>ALTORFER</b> ALTORFER POWER SYSTEMS 6315 W. FAUBER RD. BARTONVILLE, IL 61607 PHONE (309) 697-1234 FAX (309) 292-7546		THIS DOCUMENT CONTAINS PROPRIETARY INFORMATION OF ALTORFER, INC. WITHOUT THE WRITTEN PERMISSION OF ALTORFER, INC., ANY COPYING OR OTHER USE EXCEPT THAT FOR WHICH IT WAS INTENDED IS PROHIBITED.
ALL DIMENSIONS IN INCHES UNLESS OTHERWISE SPECIFIED TOLERANCES: X.X ± 0.100 X.XX ± 0.060 X.XXX ± 0.005 ANGULAR ± 1°	FILE DF\54E SCALE/SHEET SIZE 1=40/D THIRD ANGLE PROJECTION SHEET 5 OF 7	PROJECT REFERENCE XQ400/300RM RENTAL UNITS DRAWN BY D. ROLING DATE 05/06/2015 QUOTE NUMBER - WORK ORDER NUMBER - DRAWING NUMBER 54E320-05
TITLE XQ300RM DUAL VOLTAGE (240/480V) PANEL AR-EMCP4.2 & IVR MODULE		



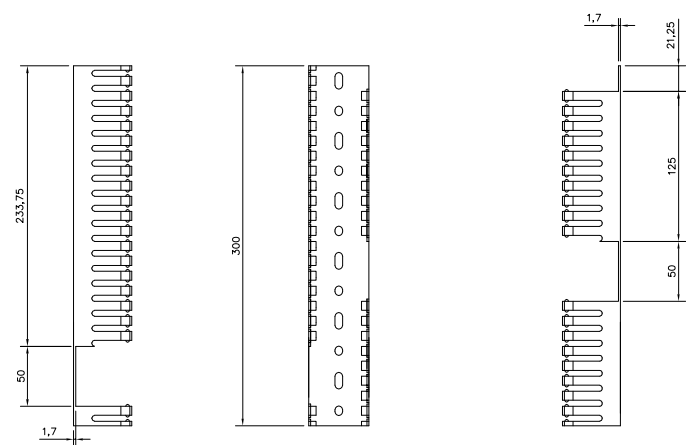
SECTION F-F  
SCALE 1:2  
SH 3 E-5



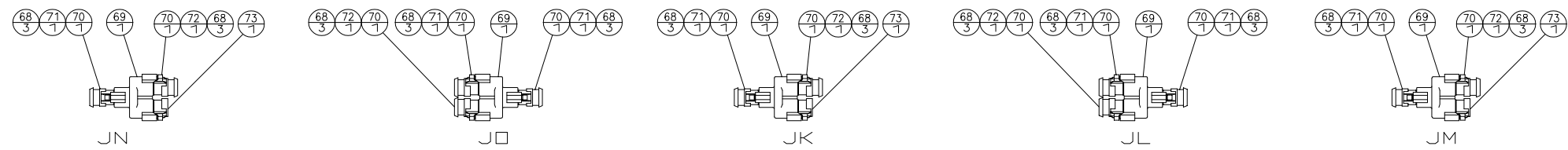
DETAIL E  
SCALE 2:1  
SH 3 F-4



SECTION D-D  
SCALE 1:2  
SH 3 B-5



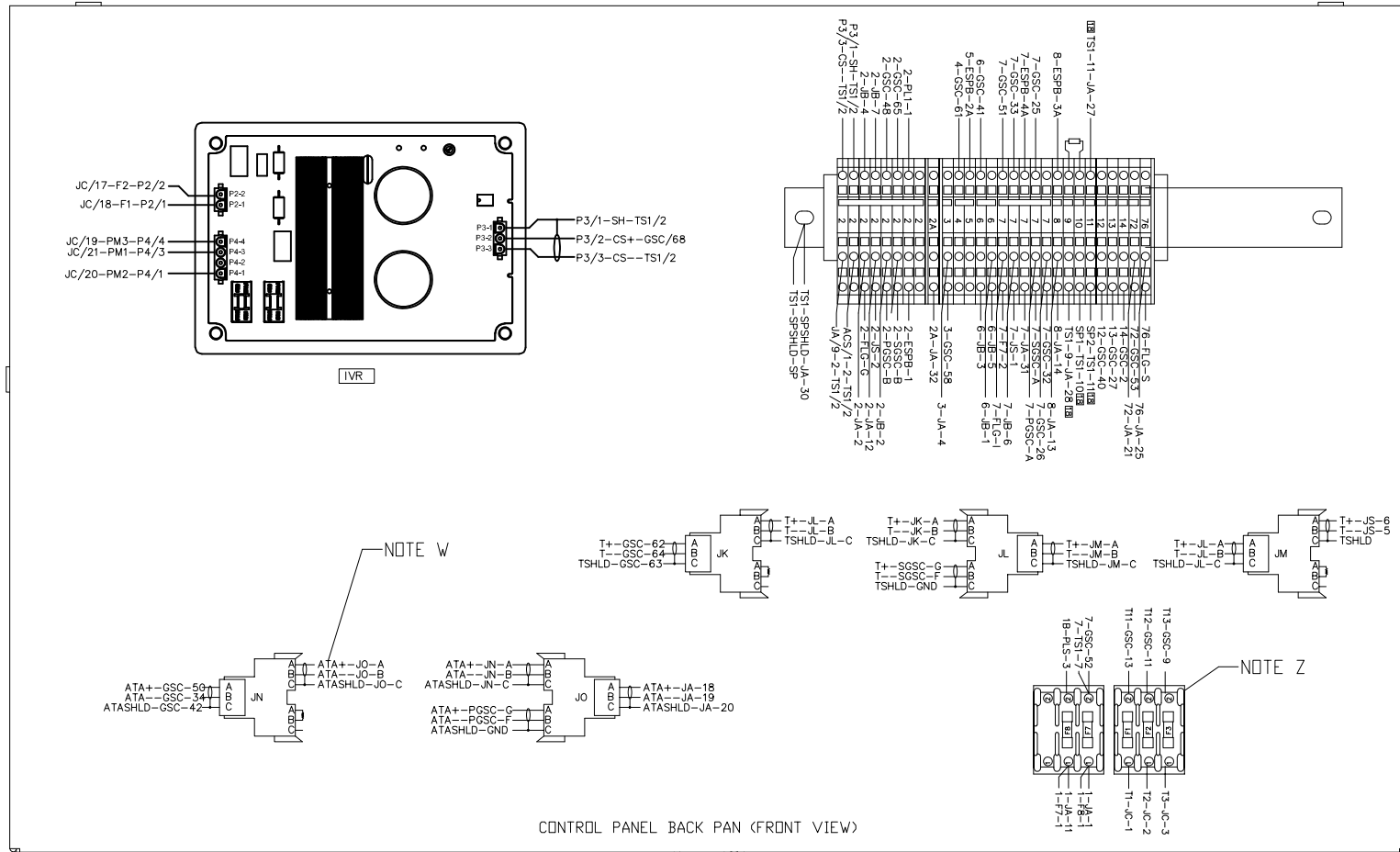
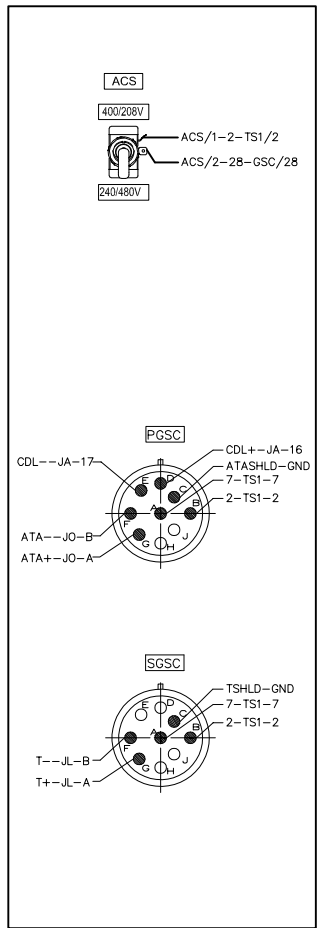
DETAIL G  
SCALE-N.T.S.  
SH 6 C-6



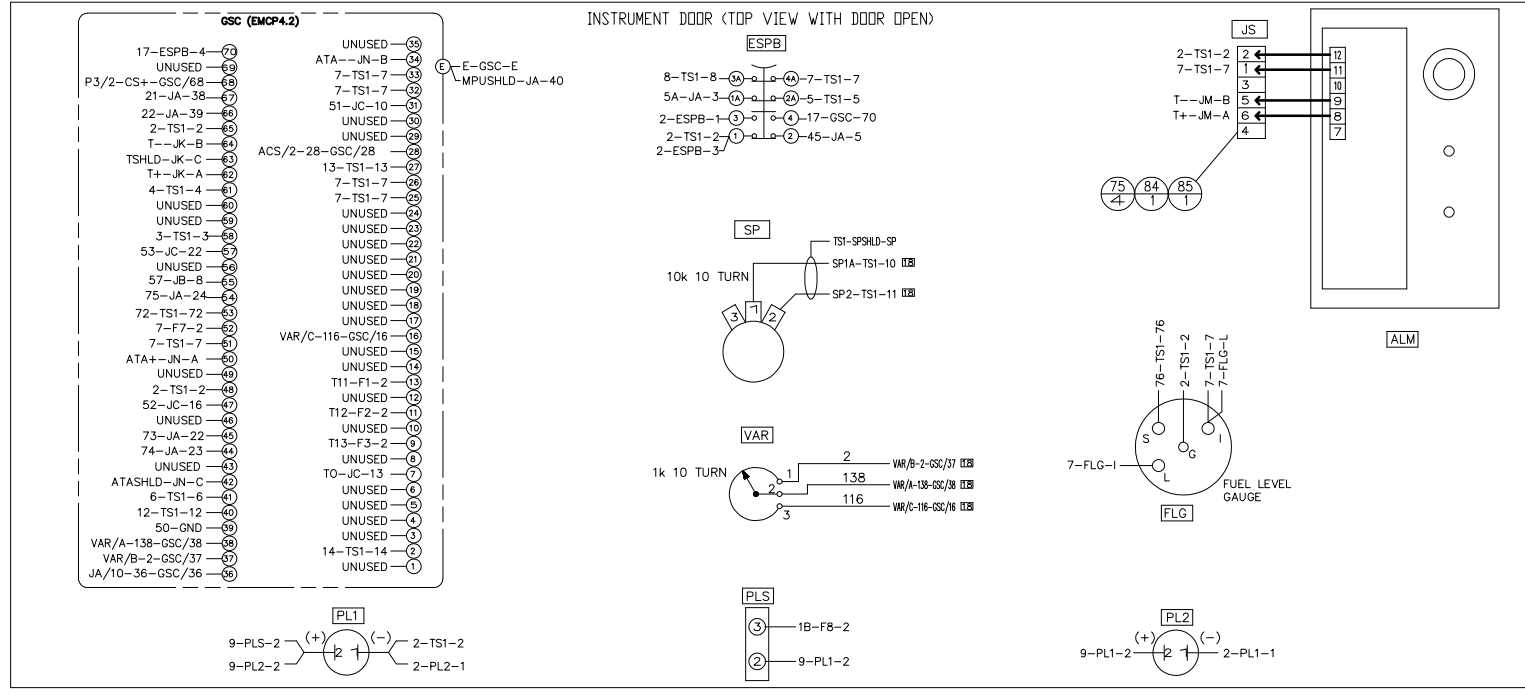
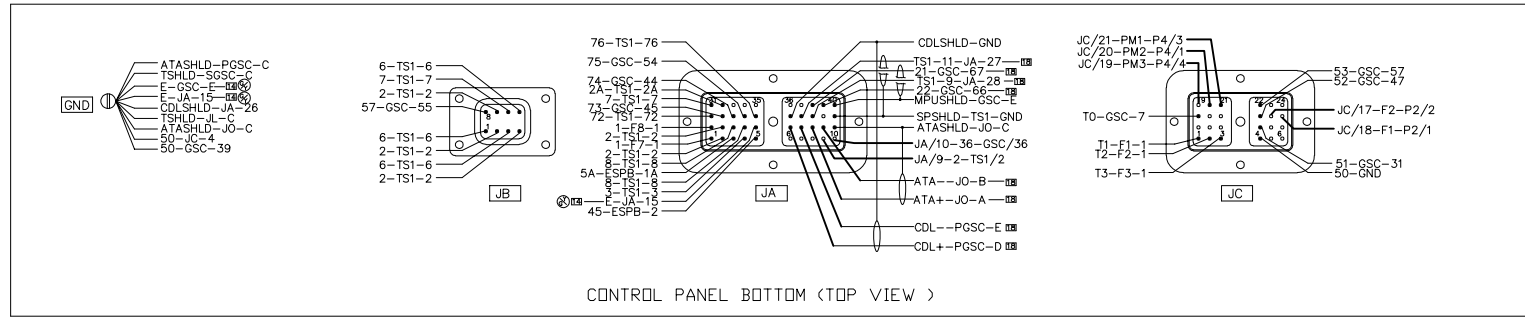
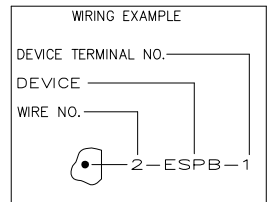
FOR NOTES SEE SHEET 1

FOR USE WITH  
XQ300ARM - C9  
XQ400ARM - C15

0	UPDATE TO PURCHASE/AS-BUILT	07/2018	D. ROLING	FILE	DF\54E	PROJECT REFERENCE	XQ400/300RM RENTAL UNIT
1	CORRECT P/N OF SHEET & N/R P/N ON SHEET	08/28/2018	D. ROLING	SCALE/SHEET SIZE	1=40/D	DRAWN BY	D. ROLING
2	CORRECT WIRING OF SHEET FOR SHEET	08/23/2018	D. ROLING	ANGLE PROJECTION	THIRD ANGLE	DATE	05/06/2015
3	CORRECT VAR WIRING	08/23/2018	D. ROLING	SHEET	6 OF 7	WORK ORDER NUMBER	-
4	RELEASE FOR PROCUREMENT	2/22/18	D. ROLING	TITLE	XQ300RM DUAL VOLTAGE (240/480V) PANEL AR-CMCP4.2 & IVR MODULE	DRAWING NUMBER	54E320-05
5	CHANGE ACS, LBS TERMINATIONS	06/11/15	D. ROLING	ALL DIMENSIONS IN INCHES UNLESS OTHERWISE SPECIFIED TOLERANCES: X.X ± 0.100 X.XX ± 0.060 X.XXX ± 0.005 ANGULAR ± 1°			
6	CHANGE NOTICE	05/11/15	D. ROLING	THIS DOCUMENT CONTAINS PROPRIETARY INFORMATION OF ALTORFER, INC. WITHOUT THE WRITTEN PERMISSION OF ALTORFER, INC., ANY COPYING OR OTHER USE EXCEPT THAT FOR WHICH IT WAS INTENDED IS PROHIBITED.			



CR	F1	F2	F3	F4	F5	F6
F7	F8	JA	JB	JC	ESPB	GND
ALM	LSM	AVS	SP	VAR	PL1	PL2
PLS	PGSC	SGSC	FLG			



FOR USE WITH  
XQ300ARM - C9  
XQ400ARM - C15

480V 60Hz	480V 60Hz
208V 60Hz	240V 60Hz
POSITION 1	POSITION 2
ON	
OFF	
GROUP SELECTION	
SELECTION	GROUP SELECTION
480V 60Hz	OFF
240V 60Hz	OFF
400V 50Hz	ON
208V 60Hz	ON

**ALTORFER POWER SYSTEMS**  
6315 W. FAUBER RD. BARTONVILLE, IL 61607  
PHONE (309) 697-1234 FAX (309) 252-7546

THIS DOCUMENT CONTAINS PROPRIETARY INFORMATION OF ALTORFER, INC. WITHOUT THE WRITTEN PERMISSION OF ALTORFER, INC., ANY COPYING OR OTHER USE EXCEPT THAT FOR WHICH IT WAS INTENDED IS PROHIBITED.

DATE	05/06/2015
SCALE/SHEET SIZE	1=40/D
FILE	DF\54E
PROJECT REFERENCE	XQ400/300RM RENTAL UNITS
TOLERANCES:	THIRD ANGLE PROJECTION
XX ± 0.100	ANGLE
X.XX ± 0.060	SHEET
X.XXX ± 0.005	7 OF 7
ANGULAR ± 1'	DATE
	05/06/2015
	WORK ORDER NUMBER
	DRAWING NUMBER
	54E320-05

FOR NOTES SEE SHEET 1