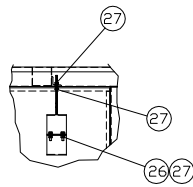


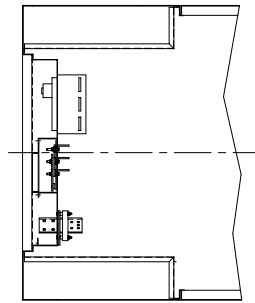
ITEM	QTY.	PART NUMBER & DESCRIPTION
1	1	54C302 - XQ400RM (3456) ENCLOSURE PARTS GROUP
2	1	54D400BM - XQ400RM (3456) SOUND FOAM KIT
3	7	HOOK/LATCH - BLACK PADLOCKABLE ENCLOSURE SLAM LATCH
4	7	54D150 - HOOK/LATCH GASKET
5	28	6C-3679 - 3/16" S.S. PDP RIVET
6	16	317-5798 - DOOR GASKET
7	16	317-5796 - HINGE AS
8	16	317-5797 - HINGE GASKET - WALL
9	96	317-5697 - 1/4-20NCx1.00 TAPER PHILLIPS HEAD SCREW
10	64	3E-9865 - 1/4-20NC NYLOC NUT
11	46	224-6797 - 1/4" S.S. FLAT WASHER
12	48	6V-8185 - 1/4-20NC NUT
13	120	317-5698 - 1/4" S.S. LOCK WASHER
14	108	317-5700 - 1/4" S.S. NEOPRENE BACKED FLAT WASHER
15	4	5W-1943 - DOOR KEEP ROD STORAGE CLIP
16	4	XQ ROD - XQ DOOR KEEP ROD
17	4	37405 - #6-32 KEEPS NUT
18	4	33070 - #6 FLAT WASHER
19	4	7K-3435 - #6-32X1/2" SCREW
20	12	94709A516 - 3/8" S/S SEALING WASHER
21	4	71067 - 3/8" S.S. LOCK WASHER
22	4	70732 - 3/8-24NF S.S. NUT
23	64	0126271 - 1/8" S.S. PDP RIVET
24	8	T502HNDL - HANDLE-RECESS-BLACK
25	8	54D149 - GRAB HANDLE GASKET
26	81	345-8531 - 3/8-16NCX1 FLANGED BOLT
27	87	198-2970 - 3/8-16NC FLANGED NUT
28	4	3P-9554 - RUBBER DOOR ROD KEEP GROMMET
29	6	FT207 - 3/4" WHITE NYLON HOLE PLUG
30	20 FT	STICKERTITE - 3/4"Wx1/8"THK BLK SELF ADH. FOAM GSKT
31	31	149-2148 - 1/4-20NCx1.00 S.S. BOLT
32	4	54C180 - ROOF FOAM SUPPRT
33	4	10412-18229 - 3/4" BULKHEAD FITTING
34	2	69908 - 3/4" PLUG-HEX
35	5	9R-8537 - DOOR KEEP SOCKET
36	5	9R-8538 - DOOR KEEP PLUNGER
37	7	T114R - RED MARKER LIGHT
38	4	T114A - AMBER MARKER LIGHT
39	1	4W-9908 - EXTERIOR EMERGENCY STOP BUTTON ASSEMBLY
40	6 FT	AS990 - WEATHER STRIPPING
41	4 FT	1120A213 - TRIMLOCK-BEADED
42	2	WS357 - FLAP - LOAD DOOR
43	8	0183807 - LICENSE PLATE SCREW
44	5	8T-4971 - M6-1x30MM S.S. METRIC BOLT
45	1	52C178 - CNTRL COVER
46	5	033-8755 - 1/4-20NCx1.00 S.S. SCREW
47	1	STOP-ROD - EMERGENCY STOP ROD
48	90 FT	D-2685 - SEAL-WHITE
49	1	MBC19 - BATTERY CHARGER
50	4	5S-7349 - 1/4-20NCx.50 BOLT
51	4	104-6564 - SHOCK MOUNTS
52	5	5C-2890 - M6-1 NUT
53	5 FT	8451A63 - TRIM LOCK
54	30	109-0147 - 1/4-20NC SELF TAPPING SCREWS
55	2	70003 - 1/4-20NCx.75 S.S. BOLT
56	1	114-8821 - BATTERY SWITCH DN/OFF LABEL
57	1	7N-0718 - BATTERY SWITCH ASSEMBLY
58	2	ECHA12 - OZ BUSHING - MALE END
59	2	ECHA242 - OZ BUSHING - FEMALE END
60	2	54C178 - RUBBER DUCTING - SIDE
61	1	54E131 - WIRE HARNESS ASSEMBLY
62	2	54C179 - RUBBER DUCTING - TOP/BOTTOM
63	8	0184617 - NUT-LICENSE PLATE

NOTE A: 54C162 - STRAP - SIDE, 54C161 - STRAP - TOP/BOTTOM, & 52C176 - CATCH BATTERY DOOR ALL RECEIVED IN 54C100 - ENCLOSURE PARTS GP

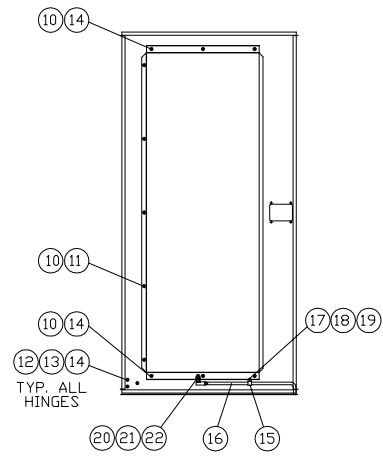
		<b>ALTORFER POWER SYSTEMS</b> 6315 W. FAUBER RD. PHONE (309) 697-1234 BARTONVILLE, IL 61607 FAX (309) 282-7546		
		THIS DOCUMENT CONTAINS PROPRIETARY INFORMATION OF ALTORFER, INC. WITHOUT THE WRITTEN PERMISSION OF ALTORFER, INC., ANY COPYING OR OTHER USE EXCEPT THAT FOR WHICH IT WAS INTENDED IS PROHIBITED.		
CHANGE NOTICE ALL DIMENSIONS IN INCHES UNLESS OTHERWISE SPECIFIED	FILE DF/54A	PROJECT REFERENCE XQ400 REMAN ENCLOSURE GROUP		
	TOLERANCES: XX ± 0.100 XXX ± 0.050 XXXX ± 0.005	THIRD ANGLE PROJECTION SHEET 1 OF 2	SCALE/SHEET SIZE 1=20/D	DRAWN BY M. RANTA / JAM
	ANGLULAR ± 1°	DATE 11-05-15	QUOTE NUMBER -	WORK ORDER NUMBER -
	TITLE ENCLOSURE GROUP	DRAWING NUMBER 54A416A		



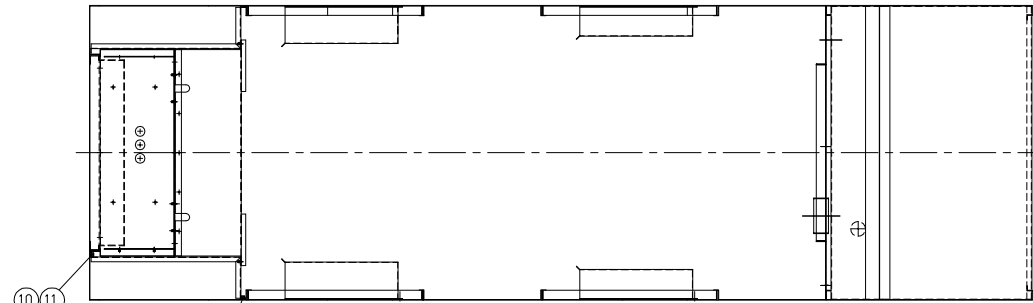
DETAIL G



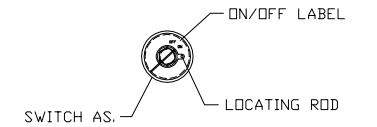
VIEW A-A



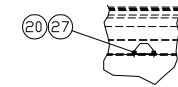
VIEW J-J  
TYP. 2 PLACES



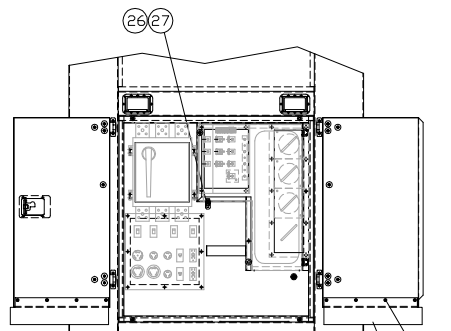
TOP VIEW  
SHOWN WITH ROOF AS. REMOVED



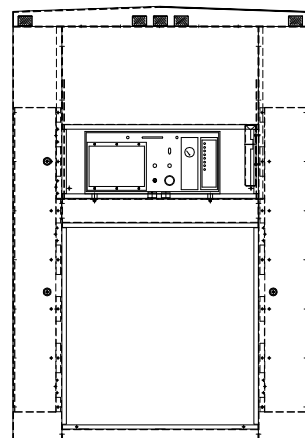
DETAIL H



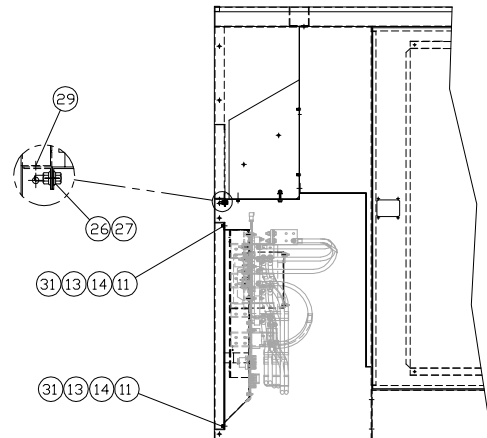
DETAIL C



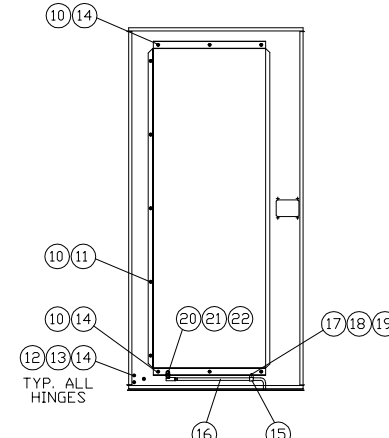
REAR VIEW  
WITH LOAD DOORS OPEN



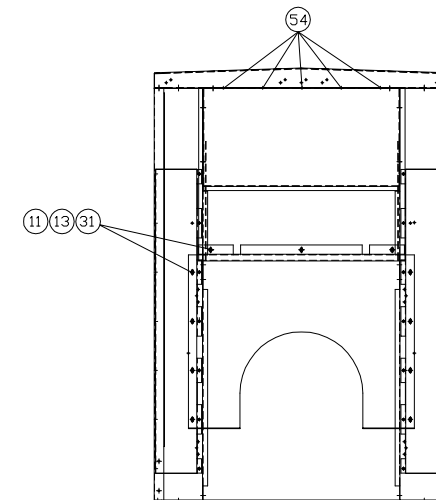
REAR VIEW  
WITH LOAD DOORS & LOAD  
PAN GROUP REMOVED



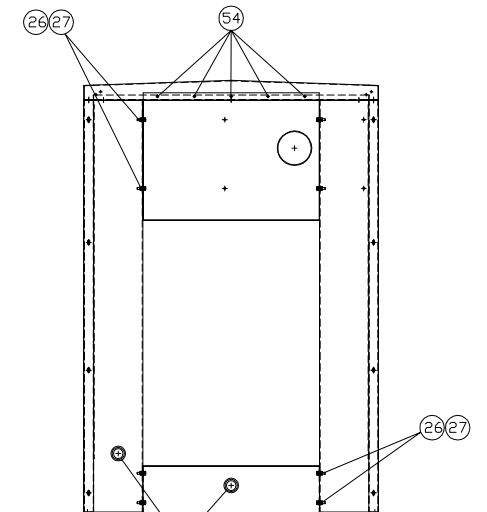
VIEW B-B



VIEW D-D  
TYP. 2 PLACES



VIEW E-E



VIEW F-F

DATE		<b>ALTORFER</b>		<b>ALTORFER POWER SYSTEMS</b>	
BY		6315 W. FAUBER RD.		PHONE (309) 697-1234	
		BARTONVILLE, IL 61607		FAX (309) 282-7546	
THIS DOCUMENT CONTAINS PROPRIETARY INFORMATION OF ALTORFER, INC. WITHOUT THE WRITTEN PERMISSION OF ALTORFER, INC. ANY COPYING OR OTHER USE EXCEPT THAT FOR WHICH IT WAS INTENDED IS PROHIBITED.					
CHANGE NOTICE	ALL DIMENSIONS IN INCHES UNLESS OTHERWISE SPECIFIED	FILE	DF/54A	PROJECT REFERENCE	XQ400 REMAN ENCLOSURE GROUP
	TOLERANCES:	THIRD ANGLE PROJECTION	SCALE/SHEET SIZE	DRAWN BY	QUOTE NUMBER
	X.X ± 0.100		1=20/D	M. RANTA / JAM	-
	X.XX ± 0.050		SHEET	DATE	WORK ORDER NUMBER
X.XXX ± 0.005		2 OF 2	11-05-15	-	-
ANGULAR ± 1°					
TITLE	ENCLOSURE GROUP				DRAWING NUMBER
1					54A416B