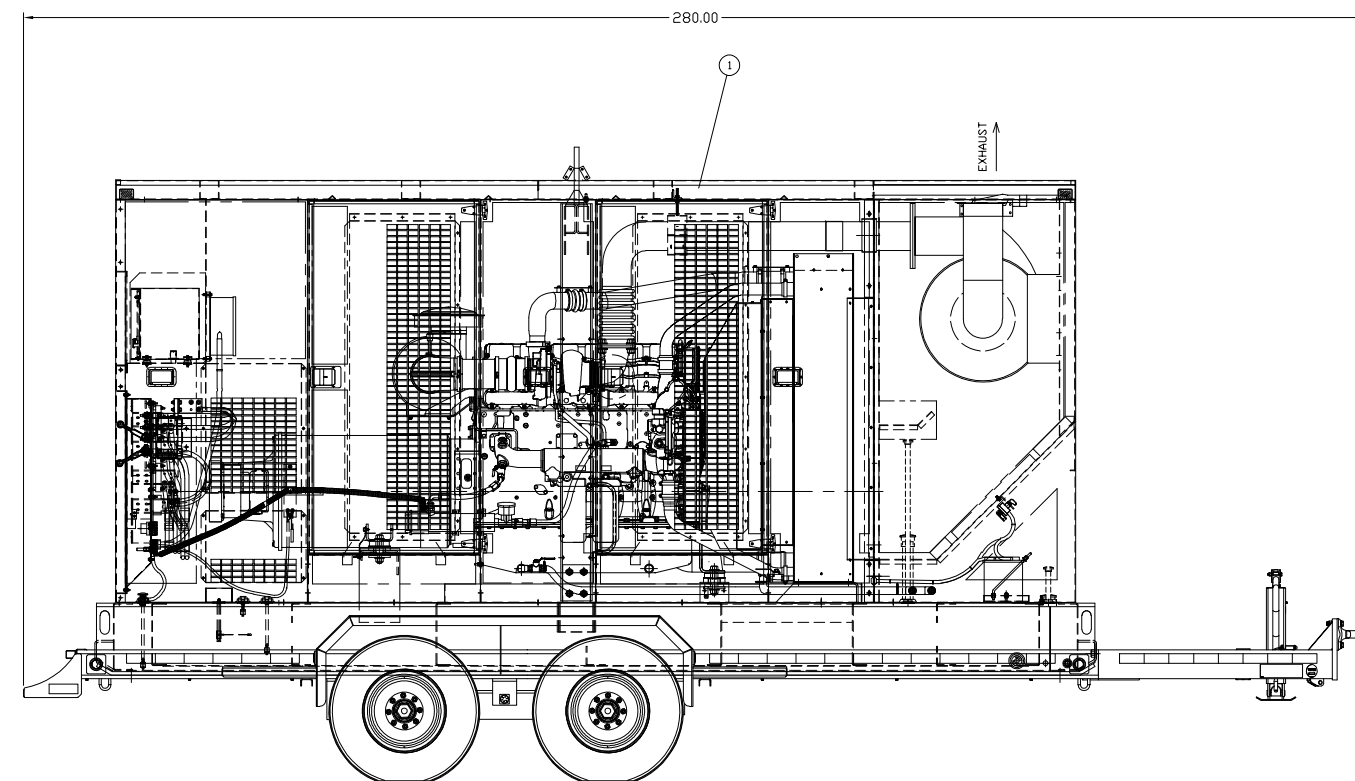
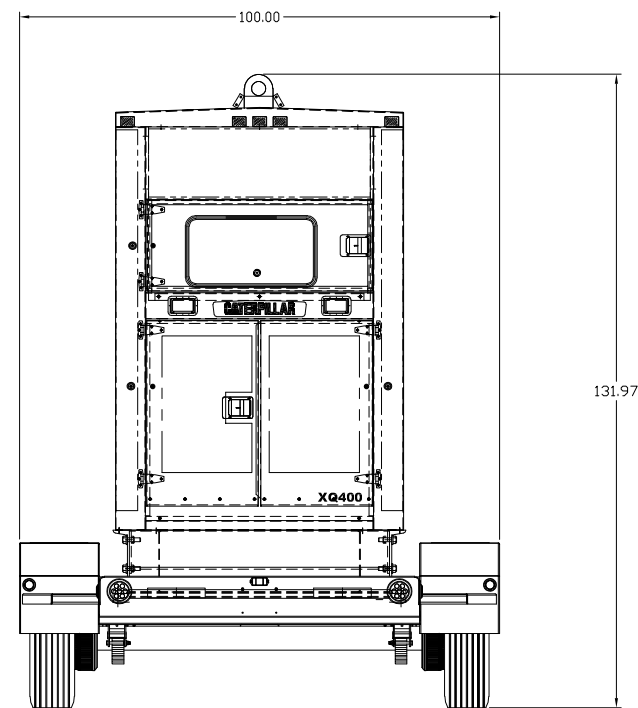
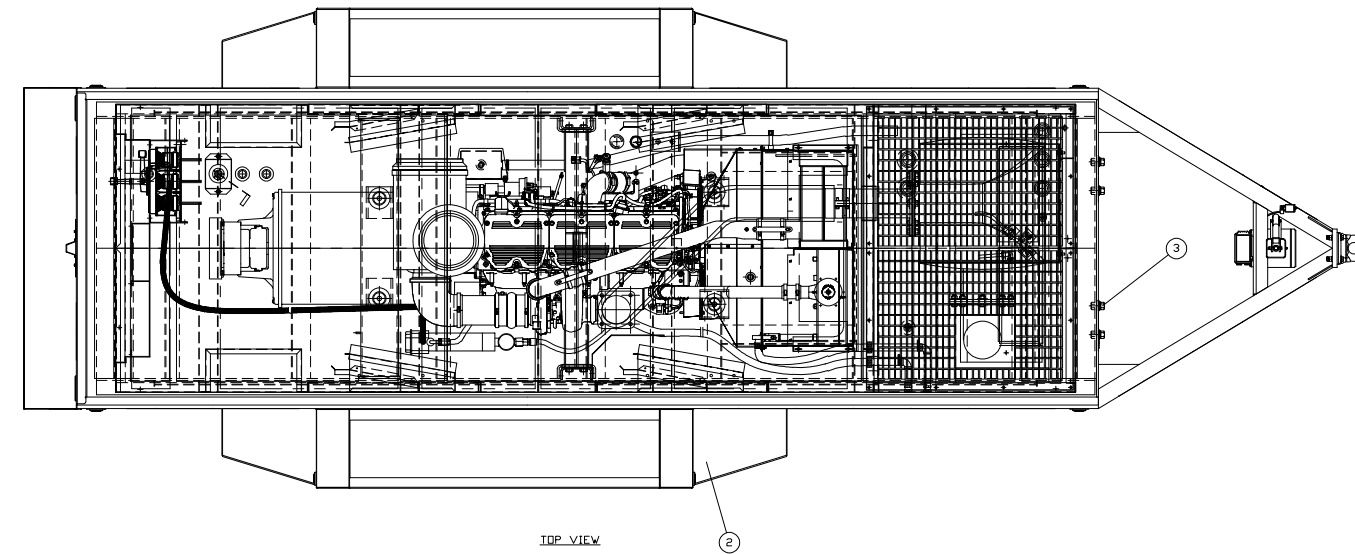


ITEM	QTY.	PART No.	DESCRIPTION
1	1	54A110-1	XQ400RM-C15 RENTAL PACKAGE ARRANGEMENT
2	1	54A225-3	TRAILER ARRANGEMENT-XQ400
3	1	54A226-2	MDUNTING GROUP-TRAILER

PACKAGE WEIGHTS :  
 GENERATOR SET PACKAGE WITHOUT FUEL= 17,505 lbs.  
 GENERATOR SET PACKAGE WITH FUEL= 21,275 lbs.



05-23-19 KUN BUN	KIRBY SOURCED PANEL CHANGE NOTICE			<b>ALTORFER POWER SYSTEMS</b> 6315 W. FAUBER RD. PHONE (309) 697-1234 BARTONVILLE, IL 61607 FAX (309) 292-7546	
		THIS DOCUMENT CONTAINS PROPRIETARY INFORMATION OF ALTORFER, INC. WITHOUT THE WRITTEN PERMISSION OF ALTORFER, INC., ANY COPYING OR OTHER USE EXCEPT THAT FOR WHICH IT WAS INTENDED IS PROHIBITED.		PROJECT REFERENCE XQ400RM-C15 RENTAL PACKAGE	
ALL DIMENSIONS IN INCHES UNLESS OTHERWISE SPECIFIED TOLERANCES: XX ± 0.100 ANGLE XXX ± 0.060 PROJECTION XXXX ± 0.005 ANGULAR ± 1'		FILE DF/54A	SCALE/SHEET SIZE 1=20/D SHEET 1 OF 1	DRAWN BY K. NUNN	DATE 01-15-19
1	NO.	TITLE XQ400RM-C15 RENTAL PACKAGE WITH TRAILER			ENGINEERING STATUS PROTO PET PROD 0 0 X
2	NO.	DRAWING NUMBER 54A411-1			