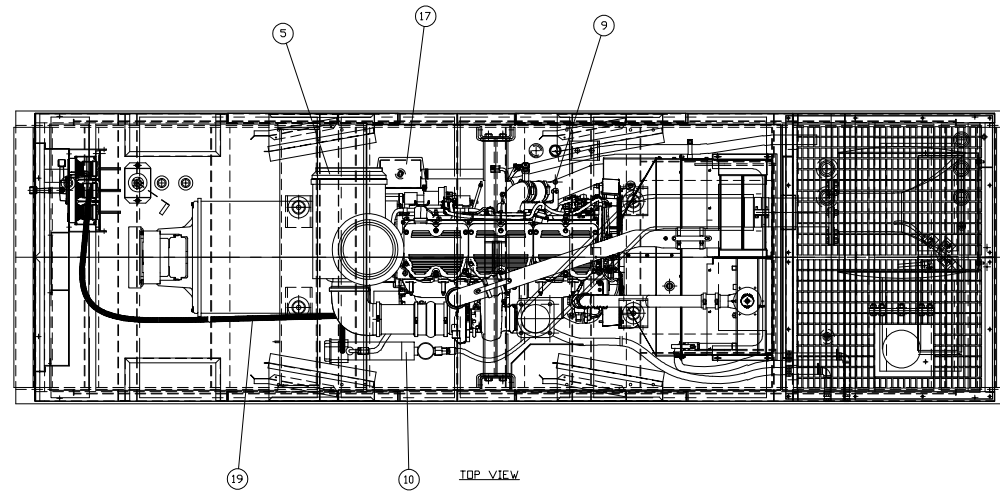
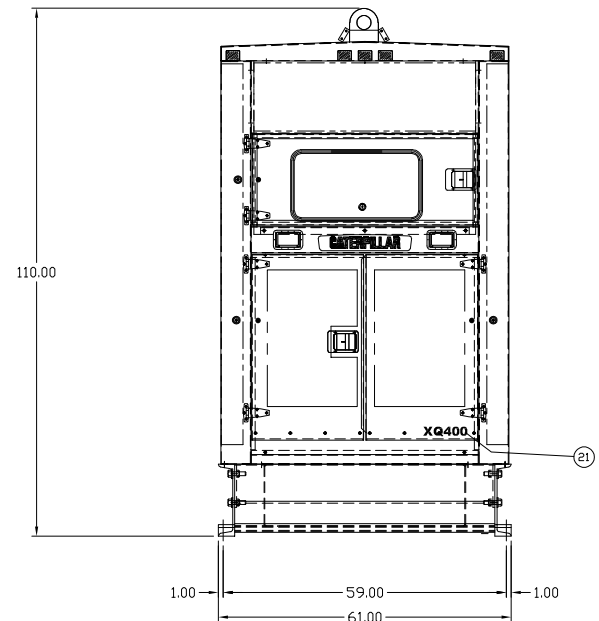


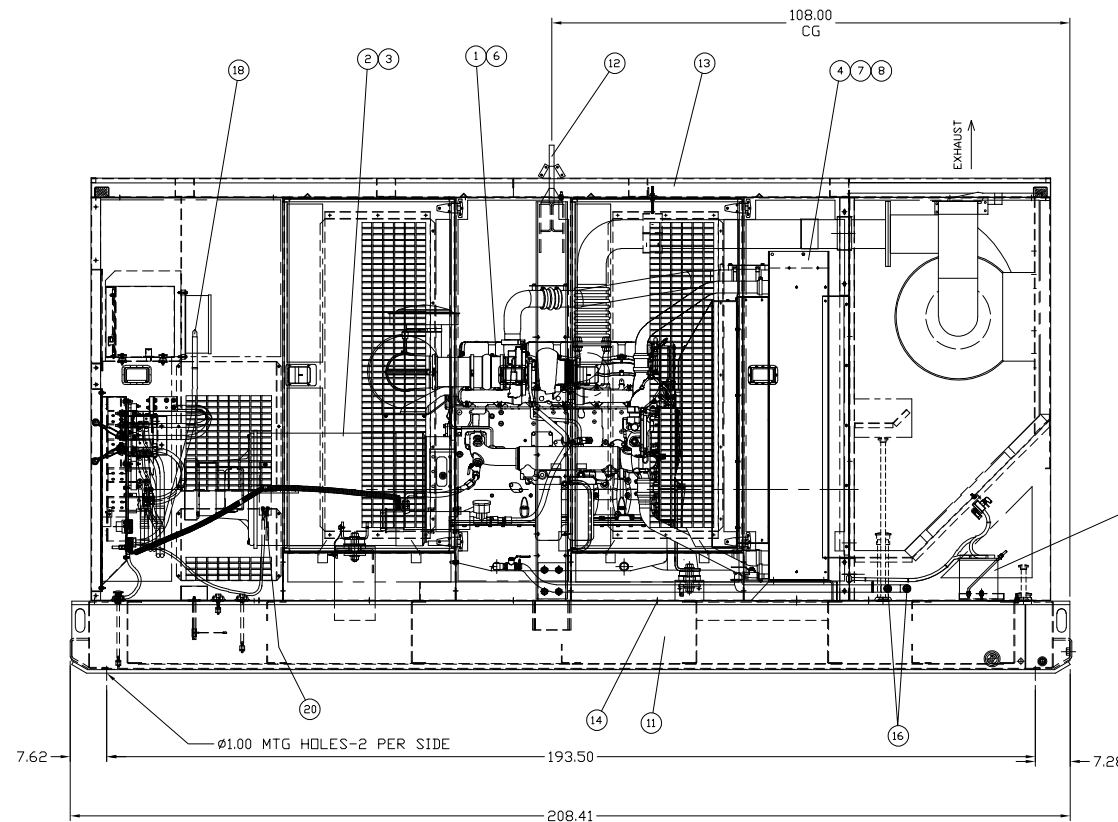
REAR VIEW
SHOWN WITH REAR DOORS OPEN



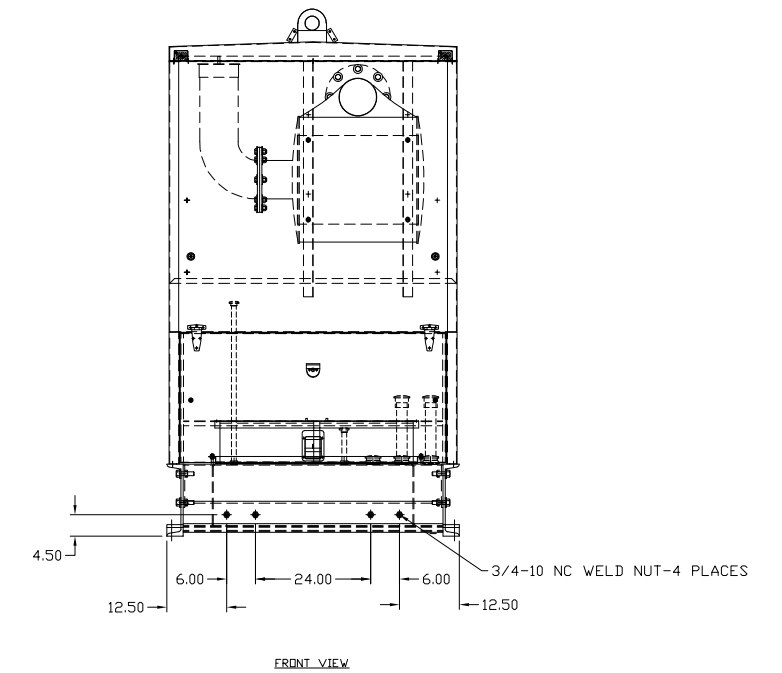
TOP VIEW



REAR VIEW



RIGHT SIDE VIEW



FRONT VIEW

ITEM	QTY.	PART No.	DESCRIPTION
1	1	286-4928	ENGINE ARRANGEMENT-BASIC
2	1	188-9848	GENERATOR ARRANGEMENT-240/480V
3	1	109-3319	COUPLING GROUP-GENERATOR
4	1	218-4698	FAN GROUP
5	1	264-7114	CLEANER GROUP-AIR
6	1	308-7654	MOUNTING GROUP-HARNESS XQ400-C15
7	1	260-4784	RADIATOR GROUP
8	1	238-8650	COOLANT-BULK ELC - 11 GALLONS
9	1	285-3196	LINE GROUP-FUEL
10	1	54A228	MOUNTING GROUP-JACKET WATER HEATER
11	1	54A217-3	XQ400A FUEL BASE GROUP
12	1	54A218-1	LIFT ARCH GROUP-XQ400A
13	1	54A406-2	ENCLOSURE ARRANGEMENT-XQ400RM-C15
14	1	54A219-1	MOUNTING GROUP-ENCLOSURE ARRANGEMENT
15	1	54A222-1	MOUNTING GROUP-XQ400A STARTING
16	1	54A221-1	MOUNTING GROUP-DRAINS
17	1	54A223-2	MOUNTING GROUP-FUMES DISPOSAL
18	1	53A226	MOUNTING GROUP-B.C. HARNESS
19	1	54A224	MOUNTING GROUP-JWH HARNESS
20	1	54A407	MOUNTING GROUP-SPACE HEATER WIRING
21	1	54A405-3	TRANSFER GROUP-XQ400RM-C15

PACKAGE WEIGHTS :
 GENERATOR SET PACKAGE WITHOUT FUEL= 14,430 lbs.
 GENERATOR SET PACKAGE WITH FUEL= 18,200 lbs.

05-23-19 KUN DATE	THIS DOCUMENT CONTAINS PROPRIETARY INFORMATION OF ALTORFER, INC. WITHOUT THE WRITTEN PERMISSION OF ALTORFER, INC. ANY COPYING OR OTHER USE EXCEPT THAT FOR WHICH IT WAS INTENDED IS PROHIBITED.	ALTORFER POWER SYSTEMS 6315 W. FAUBER RD. PHONE (309) 697-1234 BARTONVILLE, IL 61607 FAX (309) 282-7546	
		ALL DIMENSIONS IN INCHES UNLESS OTHERWISE SPECIFIED TOLERANCES : XX ± 0.100 XXX ± 0.060 XXXX ± 0.005 ANGULAR ± 1°	FILE DF/54A SCALE/SHEET SIZE 1=20/D SHEET 1 DF 1
1 NO.	XQ400RM-C15 DUAL VOLTAGE RENTAL PACKAGE	DRAWING NUMBER 54A410-1	