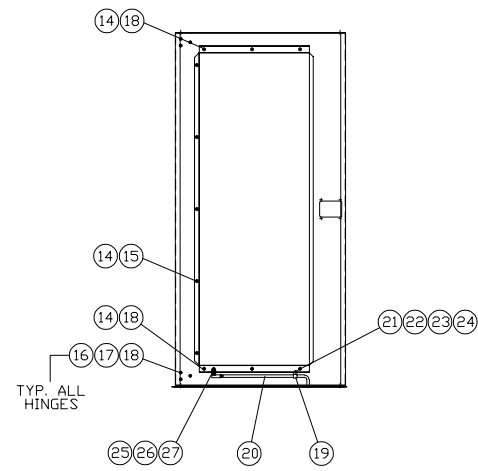


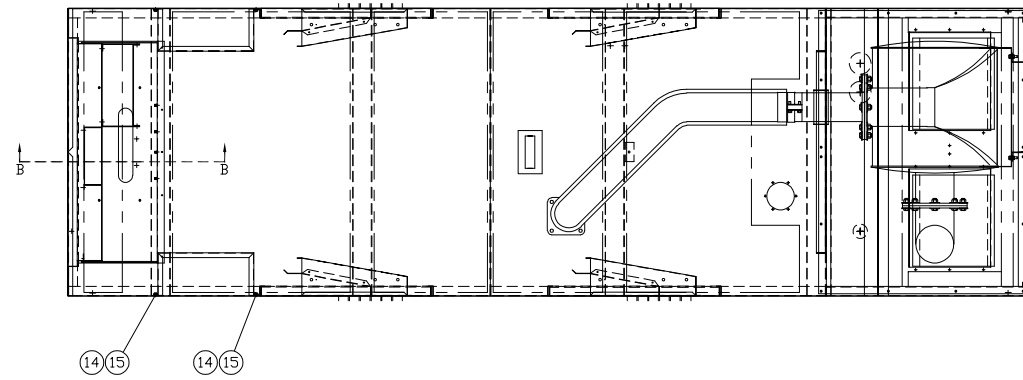
ITEM	QTY.	PART No.	DESCRIPTION	WEIGHT
1	1	54C400	XQ400-C15RM ENCLOSURE PARTS GROUP	3,049
2	1	54D300	XQ400A SOUND FOAM KIT	250
3	1	54A220	XQ400A EXHAUST GROUP	400
4	1	54A203-3	XQ400A-RM 240/480V LOAD PAN GROUP	313
5	1	54A404-1	XQ400A-RM CONTRL PANEL MOUNTING GROUP	182
6	7	H00K/LATCH	SLAM LATCH-BLACK PADLOCKABLE	-
7	8	0183807	SCREW-NYLON	-
8	7	54D150	LATCH GASKET	-
9	28	6C-3679	PDP RIVET-3/16 SS	-
10	16	317-5798	GASKET-DOOR HINGE	-
11	16	317-5796	HINGE-BLACK DOOR	-
12	16	317-5797	HINGE GASKET-WALL	-
13	96	317-5697	SCREW-1/4-20NCx1.00 TAPER HEAD PHILLIPS	-
14	56	3E-9865	NUT-1/4-20NC SS NYLOCK	-
15	59	224-6797	WASHER-1/4 SS FLAT	-
16	50	6V-8185	NUT-1/4-20NC SS	-
17	87	317-5698	WASHER-1/4 SS LOCK	-
18	97	317-7500	NEOPREME WASHER-1/4 SS FLAT	-
19	4	5W-1943	CLIP-DOOR KEEP	-
20	4	5W-4315	ROD GROUP-DOOR KEEP	-
21	4	37405	NUT-#8-32 SS	-
22	12	33070	WASHER-#8 SS FLAT	-
23	4	71067	WASHER-#8 SS LOCK	-
24	4	7K-3435	SCREW-#8-32 x 0.50 SS TRUSSHEAD	-
25	8	377-4313	WASHER-3/8 SS NEOPREME FLAT	-
26	4	71067	WASHER-3/8 SS LOCK	-
27	4	70732	NUT-3/8-24NF SS	-
28	96	0126271	PDP RIVET-1/8 SS	-
29	8	T502HNDL	GRAB HANDLE-BLACK	-
30	8	54D149	GASKET-GRAB HANDLE	-
31	67	345-8531	BOLT-FLANGED 3/8-16NC x 1.00	-
32	40	198-2970	NUT-FLANGED 3/8-16NC	-
33	4	3P-9554	GROMMET-DOOR ROD KEEP	-
34	8	FT207	PLUG-3/4 WHITE NYLON	-
35	1	STICKERTITE	GASKET-1/8x3/4 BLACK NEOPREME FOAM - 205 Lg	-
36	31	149-2148	BOLT-1/4-20NC x 1.00 SS	-
37	6	54C180	SUPPORT-ROOF FOAM	-
38	2	69908	PLUG-3/4 NPT BRASS	-
39	2	10412-18229	ADAPTER-BULKHEAD 3/4 NPT BRASS	-
40	1	66444	NIPPLE-3/4 NPT x 3.00	-
41	1	PNPL346	NIPPLE-3/4 NPT x 6.00	-
42	2	4B-5984	ELBOW-3/4 NPT x 90 DEG	-
43	2	005-6814	ADAPTER-3/4 NPT x 1.0 HOSE BARB	-
44	5	9R-8537	SOCKET-DOOR KEEP	-
45	5	9R-8538	PLUNGER-DOOR KEEP	-
46	7	T114R	LIGHT-RED MARKER	-
47	4	T114A	LIGHT-AMBER MARKER	-
48	1	4W-9908	BUTTON ASSEMBLY-EMERGENCY STOP	-
49	1	AS990	GROMMET-WINDOW 72 Lg	-
50	1	1120A213	GASKET-TRIMLOCK TOP SEAL 40 Lg	-
51	2	54C248	FLAP-LOAD DOOR	1
52	8	0184617	NUT-NYLON 1/4-20NC	-
53	5	8T-4971	BOLT-M6x1.00 - 30MM	4
54	1	53C275	WINDOW-CONTRL DOOR	-
55	5	033-8755	SCREW-1/4-20NCx1.00 SS PHILLIPS	-
56	1	54A216-1	MOUNTING GROUP - LOAD DOOR	27
57	1	STD-ROD	ROD-EMERGENCY STOP	-
58	1	D-2685	GASKET-WHITE 3/8 DOOR - 85 FT	-
59	1	MBC19	CHARGER-BATTERY	7
60	4	5S-7349	BOLT-1/4-20NC x 0.50 SS	-
61	4	104-6564	MOUNT-SHOCK	-
62	5	5C-2890	NUT-M6x1.00 SS	-
63	1	8451A63	TRIM LOCK - 54.5 Lg	-
64	30	109-0147	SCREW-1/4-20NC x 1.00 SELF TAPPING	1
65	2	7003	BOLT-1/4-20NC x 0.75 SS	-
66	1	369-4098	SWITCH ASSEMBLY-BATTERY	-
67	3	ECHA1112	BUSHING-1.50 OZ MALE	-
68	3	ECHA24112	BUSHING-1.50 OZ FEMALE	-
69	2	54C266	DUCTING SIDE RUBBER	5
70	1	54E200	HARNESS ASSEMBLY-ENCLOSURE LIGHT	5
71	2	54C267	DUCTING-TOP/BOTTOM RUBBER	-
72	1	ECHA1212	BUSHING-2.50 OZ MALE	-
73	1	ECHA24212	BUSHING-2.50 OZ FEMALE	-
74	1	229-6868	COVER-RADIATOR ACCESS	-
75	2	54C265	HANDLE-GRAB	6

TOTAL WEIGHT 4,250 lbs.

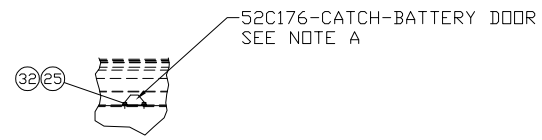
01-23-19 01-09-19 KUN DATE BY	ALTORFER ALTORFER POWER SYSTEMS 6315 W. FAUBER RD. PHONE (309) 697-1234 BARTONVILLE, IL 61607 FAX (309) 282-7546	
	THIS DOCUMENT CONTAINS PROPRIETARY INFORMATION OF ALTORFER, INC. WITHOUT THE WRITTEN PERMISSION OF ALTORFER, INC., ANY COPYING OR OTHER USE EXCEPT THAT FOR WHICH IT WAS INTENDED IS PROHIBITED.	
KIRBY SOURCED PANEL REVISED TO REMAIN LEVEL CHANGE NOTICE	ALL DIMENSIONS IN INCHES UNLESS OTHERWISE SPECIFIED TOLERANCES: XX ± 0.100 ANGLE THIRD PROJECTION X.XX ± 0.060 X.XXX ± 0.005 ANGULAR ± 1°	PROJECT REFERENCE: XQ400RM-C15 REMAN RENTAL PACKAGE SCALE/SHEET SIZE: 1=20/D DRAWN BY: K NUNN DATE: 01-09-19 PROTO: 0 PET: 0 PRDD: X
	TITLE: ENCLOSURE ARRANGEMENT-XQ400RM-C15	SHEET: 1 OF 2



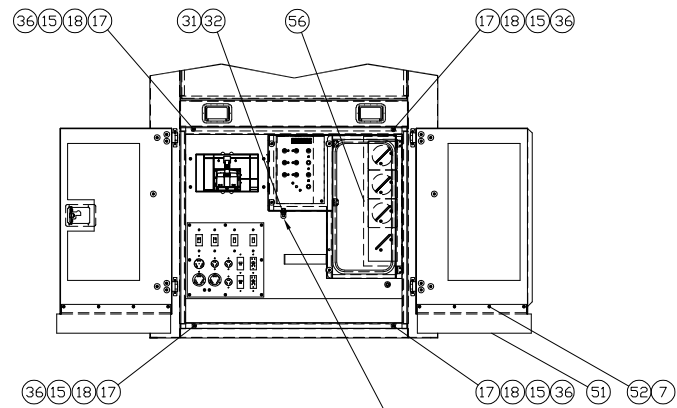
VIEW C-C
TYP. 4 PLACES



TOP VIEW
SHOWN WITH KEYS AS REMOVED

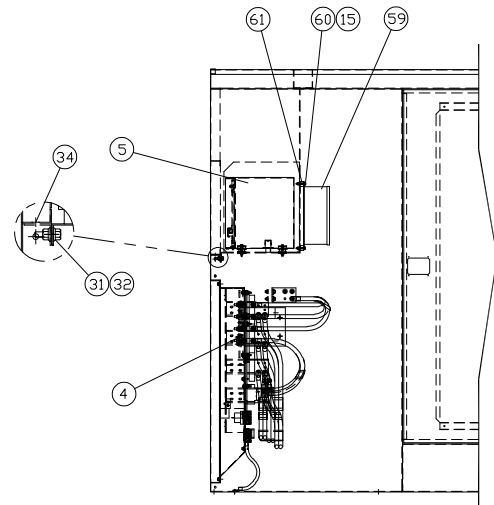


DETAIL B

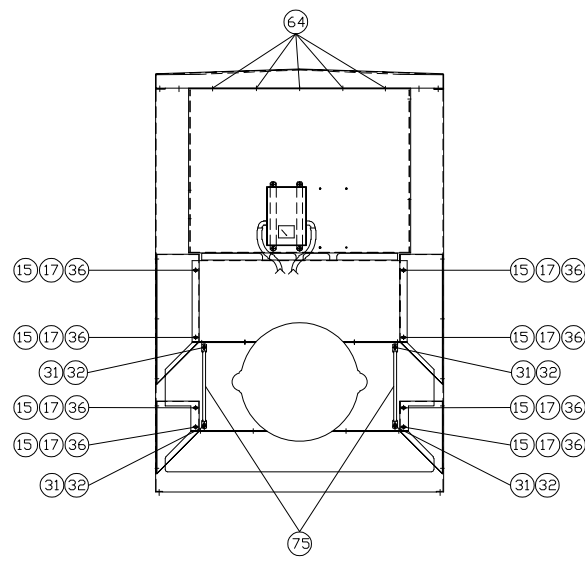


REAR VIEW
WITH LOAD DOOR OPEN

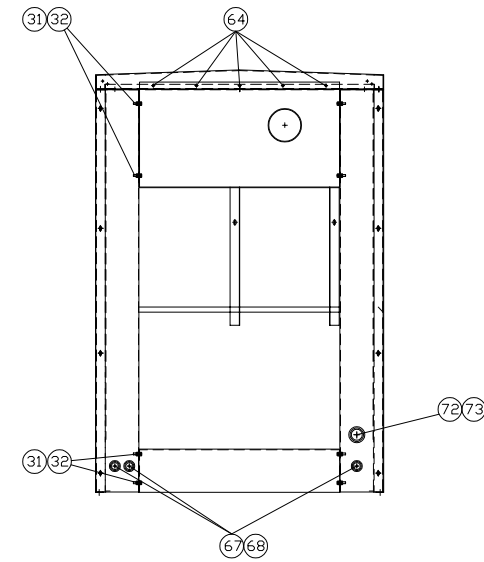
54C160-CATCH-LOAD DOOR
SEE NOTE B



VIEW A-A



VIEW D-D



VIEW E-E

NOTE A: 52C176-CATCH-BATTERY DOOR RECEIVED IN 54C400 ENCLOSURE PARTS GROUP
NOTE B: 54C160-CATCH-LOAD DOOR RECEIVED IN 54C400 ENCLOSURE PARTS GROUP

DATE: 01-09-19 DRAWN BY: KUN	ALTORFER		ALTORFER POWER SYSTEMS 6315 W. FAUBER RD. BARTONVILLE, IL 61607 PHONE (309) 697-1234 FAX (309) 292-7546	
THIS DOCUMENT CONTAINS PROPRIETARY INFORMATION OF ALTORFER, INC. WITHOUT THE WRITTEN PERMISSION OF ALTORFER, INC., ANY COPYING OR OTHER USE EXCEPT THAT FOR WHICH IT WAS INTENDED IS PROHIBITED.	FILE: DF/54A	PROJECT REFERENCE: XQ400-C15 REMAN RENTAL PACKAGE		
ALL DIMENSIONS IN INCHES UNLESS OTHERWISE SPECIFIED	SCALE/SHEET SIZE: 1=20/D	DRAWN BY: K. NUNN		
TOLERANCES: .XX ± 0.100 ANGLE THIRD PROJECTION	DATE: 01-09-19	ENGINEERING STATUS: PROTO 0 PET 0 PRODD X		
CHANGE NOTICE: 1 REVISED TO REMAN LEVEL	SHEET: 2 OF 2	DRAWING NUMBER: 54A406-B2		
TITLE: ENCLOSURE ARRANGEMENT-XQ400RM-C15				