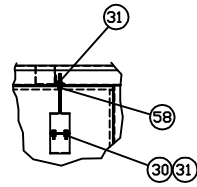


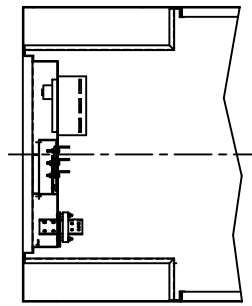
ITEM	QTY.	DESCRIPTION
1	1	54C100 - XQ400 ENCLOSURE PARTS GROUP
2	1	54D300 - XQ400/XQ300 SOUND FOAM KIT INSTALLATION
3	1	54C189 - XQ300/400 EXHAUST GROUP
4	1	54A104 - XQ400 DUAL VOLTAGE LOAD PAN MOUNTING GROUP
5	1	54A404 - CONTROL PANEL MOUNTING GROUP
6	7	HOOK/LATCH - BLACK PADLOCKABLE ENCLOSURE SLAM LATCH
7	7	54D150 - LATCH GASKET
8	28	6C-3679 - 3/16" S.S. PDP RIVET
9	16	317-5797 - DOOR HINGE GASKET
10	16	317-5796 - BLACK DOOR HINGE
11	16	317-5798 - HINGE GASKET - WALL
12	96	317-5697 - 1/4-20NCx1.00 S.S. TAPER PHILLIPS HEAD SCREW
13	56	3E-9865 - 1/4-20NC S.S. NYLON LOCK NUT
14	67	224-6797 - 1/4" S.S. FLAT WASHER
15	59	317-5699 - 1/4-20NC S.S. NUT
16	107	317-5698 - 1/4" S.S. LOCK WASHER
17	113	317-5700 - 1/4" S.S. NEOPRENE BACKED FLAT WASHER
18	4	5W-1943 - DOOR KEEP ROD STORAGE CLIP
19	4	XQRDD - DOOR KEEP ROD GROUP
20	4	37405 - #6-32 KEPS LOCK NUT
21	4	33070 - #6 FLAT WASHER
22	4	0183807 - LICENSE PLATE PLASTIC SCREW
23	4	7K-3435 - #6-32 X 0.50" S.S. SCREW
24	6	94709A516 - 3/8" S.S. NEOPRENE BACKED FLAT WASHER
25	4	71067 - 3/8" S.S. LOCK WASHER
26	4	70732 - 3/8-24NF S.S. NUT
27	96	0126271 - 1/8" S.S. PDP RIVET
28	8	T502HNDL - BLACK GRAB HANDLE
29	8	54D149 - GRAB HANDLE GASKET
30	63	345-8531 - 3/8-16NCX1 WHIZLOCK BOLT
31	66	198-2970 - 3/8-16NC WHIZLOCK NUT
32	4	3P-9554 - RUBBER DOOR ROD KEEP GROMET
33	6	FT207 - 3/4" WHITE NYLON HOLE PLUG
34	205 in	STICKERTITE - 3/4"x1/8"THK BLK SELF ADHESIVE NEOPRENE FOAM GSKT
35	51	149-2148 - 1/4-20NCx1.00 S.S. BOLT
36	4	54C180 - ROOF FOAM SUPPORT
37	4	10412-18229 - 3/4" BRASS PIPE ADAPTOR
38	2	147-2442 - BARBED FITTING 3/4" PIPE TO 5/8" HOSE
39	2	69908 - 3/4" BRASS HEX PLUG
40	5	9R8537 - DOOR KEEP SOCKET
41	5	9R8538 - DOOR KEEP PLUNGER
42	7	T114R - RED MARKER LIGHT
43	4	T114A - AMBER MARKER LIGHT
44	1	4W-9908 - EXTERIOR EMERGENCY STOP BUTTON ASSEMBLY
45	72 in	AS990 - WINDOW GROMMET
46	40 in	1120A213 - BLACK DOOR GASKETING
47	2	54D151 - FLAP - LOAD DOOR
48	8	0184617 - LICENSE PLATE PLASTIC NUT
49	5	8T-4971 - M6-30x2.00 S.S. METRIC BOLT
50	1	52C178 - CONTROL COVER
51	5	033-8755 - 1/4-20NCx1.00 S.S. PHILLIPS TRUSS HEAD SCREW
52	1	54A108 - LOAD DOOR MOUNTING GROUP
53	1	STOP-ROD - EMERGENCY STOP ROD
54	85 ft	D-2685 - WHITE 3/8"W SELF ADHESIVE DOOR GASKETING
55	1	MBC19 - BATTERY CHARGER
56	4	SS-7349 - 1/4-20NCx.50 S.S. BOLT
57	4	104-6564 - SHOCK MOUNTS
58	1	36306 - 3/8-16NC S.S. NUT
59	5	5C-2890 - M6-30 S.S. NUT
60	54.5 in	8451A63 - TRIM LOCK
61	1	52C176 - CATCH BATTERY DOOR
62	30	109-0147 - 1/4-20NC SELF TAPPING SCREWS
63	2	70003 - 1/4-20NCx.75 S.S. BOLT
64	1	114-8821 - BATTERY SWITCH ON/OFF LABEL
65	1	7N0718 - BATTERY SWITCH ASSEMBLY
66	2	ECHA12 - OZ BUSHING - MALE END
67	2	ECHA242 - OZ BUSHING - FEMALE END
68	2	54C178 - RUBBER DUCTING - SIDE
69	11	B-589 - MALE #16 BULLET CONNECTOR
70	1	54E131 - WIRE HARNESS ASSEMBLY
71	2	54C179 - RUBBER DUCTING - TOP/BOTTOM
72	2	54C162 - STRAP - SIDE
73	2	54C161 - STRAP - TOP/BOTTOM
74	8	6V-8185 - NUT - 1/4"-20
75	4	33166 - WASHER-NEOPRENE 5/16" SS - SMALL OD
76	1	5M-3062 - BOLT-HEX 3/8"-16 X 3/4"
77	1	8T-4896 - WASHER-FLAT 3/8" SD

NOTE A: 54C162 - STRAP - SIDE, 54C161 - STRAP - TOP/BOTTOM, & 52C176 - CATCH BATTERY DOOR ALL RECEIVED IN 54C100 - ENCLOSURE PARTS GP

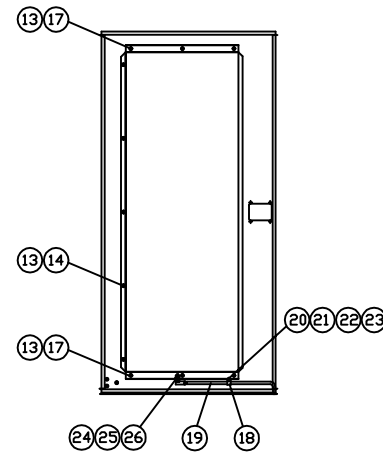
		<b>ALTORFER POWER SYSTEMS</b> 6315 W. FAUBER RD. PHONE (309) 697-1234 BARTONVILLE, IL 61607 FAX (309) 282-7546	
DATE: 06/21/15 DRAWN BY: D. ROLING	FILE: XQ400RM PROJECT REFERENCE: XQ400RM DUAL VOLTAGE RENTAL UNIT	THIS DOCUMENT CONTAINS PROPRIETARY INFORMATION OF ALTORFER, INC. WITHOUT THE WRITTEN PERMISSION OF ALTORFER, INC. ANY COPYING OR OTHER USE EXCEPT THAT FOR WHICH IT WAS INTENDED IS PROHIBITED.	QUOTE NUMBER: - WORK ORDER NUMBER: - DRAWING NUMBER: 54A401A-01
ALL DIMENSIONS IN INCHES UNLESS OTHERWISE SPECIFIED TOLERANCES: XX ± 0.100 XXX ± 0.050 XXXX ± 0.005 ANGULAR ± 1°	SCALE/SHEET SIZE: DF/54A THIRD ANGLE PROJECTION SHEET: 1 OF 2	DATE: 06/21/2015	DRAWING NUMBER: 54A401A-01



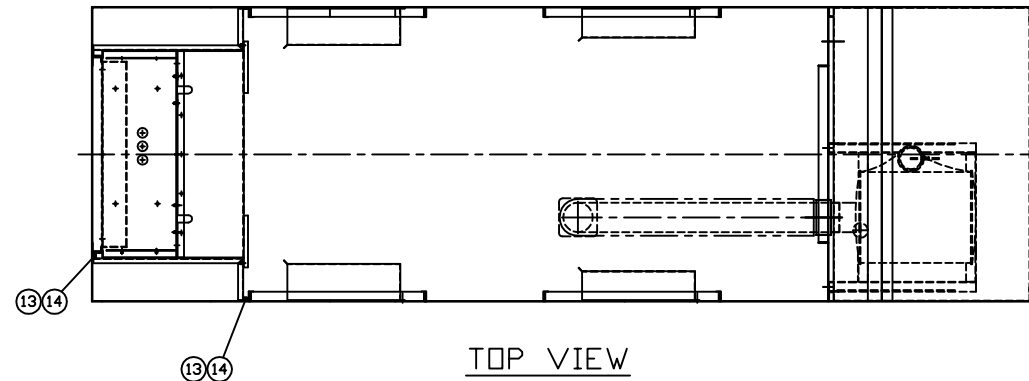
DETAIL G



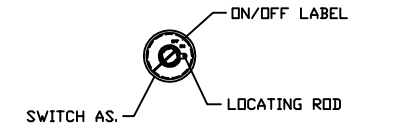
VIEW A-A



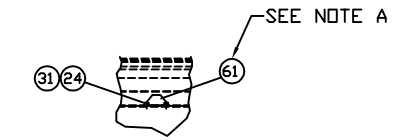
VIEW J-J  
TYP. 2 PLACES



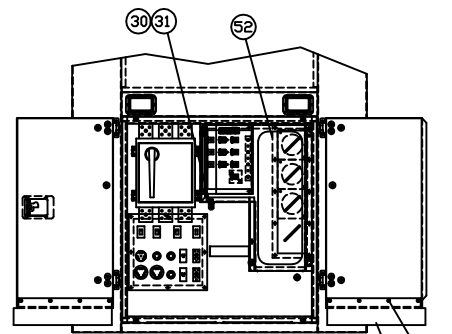
TOP VIEW  
SHOWN WITH ROOF AS. REMOVED



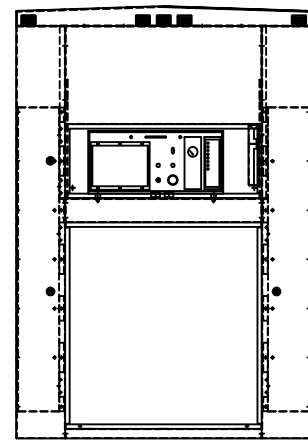
DETAIL H



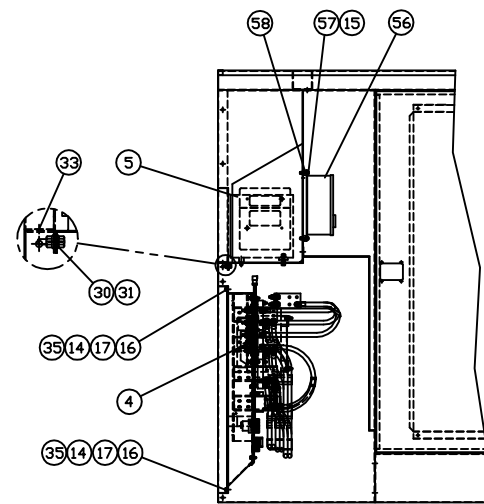
DETAIL C



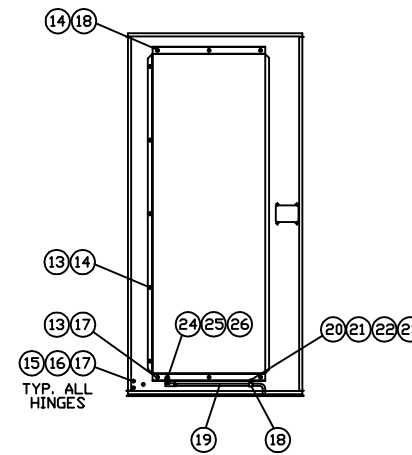
REAR VIEW  
WITH LOAD DOORS OPEN



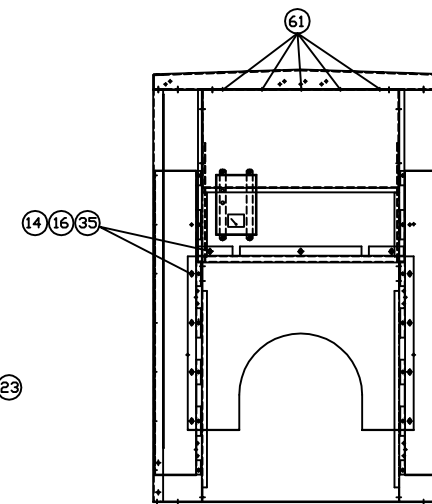
REAR VIEW  
WITH LOAD DOORS & LOAD  
PAN GROUP REMOVED



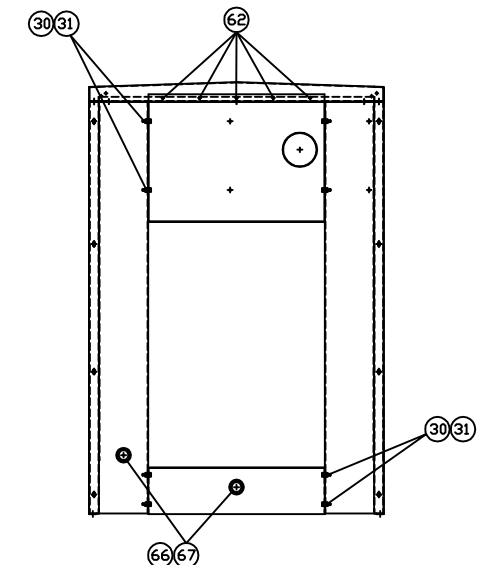
VIEW B-B



VIEW D-D  
TYP. 2 PLACES



VIEW E-E



VIEW F-F

DATE	BY	DESCRIPTION
06/25/16	DR	REVISED
06/21/15	DR	ISSUED

<b>ALTORFER</b>		<b>ALTORFER POWER SYSTEMS</b>	
6315 W. FAUBER RD.		PHONE (309) 697-1234	
BARTONVILLE, IL 61607		FAX (309) 282-7546	

THIS DOCUMENT CONTAINS PROPRIETARY INFORMATION OF ALTORFER, INC. WITHOUT THE WRITTEN PERMISSION OF ALTORFER, INC. ANY COPYING OR OTHER USE EXCEPT THAT FOR WHICH IT WAS INTENDED IS PROHIBITED.			
ALL DIMENSIONS IN INCHES UNLESS OTHERWISE SPECIFIED	FILE	PROJECT REFERENCE	
TOLERANCES:	THIRD ANGLE PROJECTION	SCALE/SHEET SIZE	DRAWN BY
.XX ± 0.100	1=20/D	DF/54A	XQ400RM DUAL VOLTAGE RENTAL UNIT
.XXX ± 0.000		DATE	QUOTE NUMBER
ANGULAR ± 1°	SHEET	06/21/2015	WORK ORDER NUMBER
	2 OF 2		
TITLE			DRAWING NUMBER
XQ400 DUAL VOLTAGE ENCLOSURE GROUP			54A401B-01