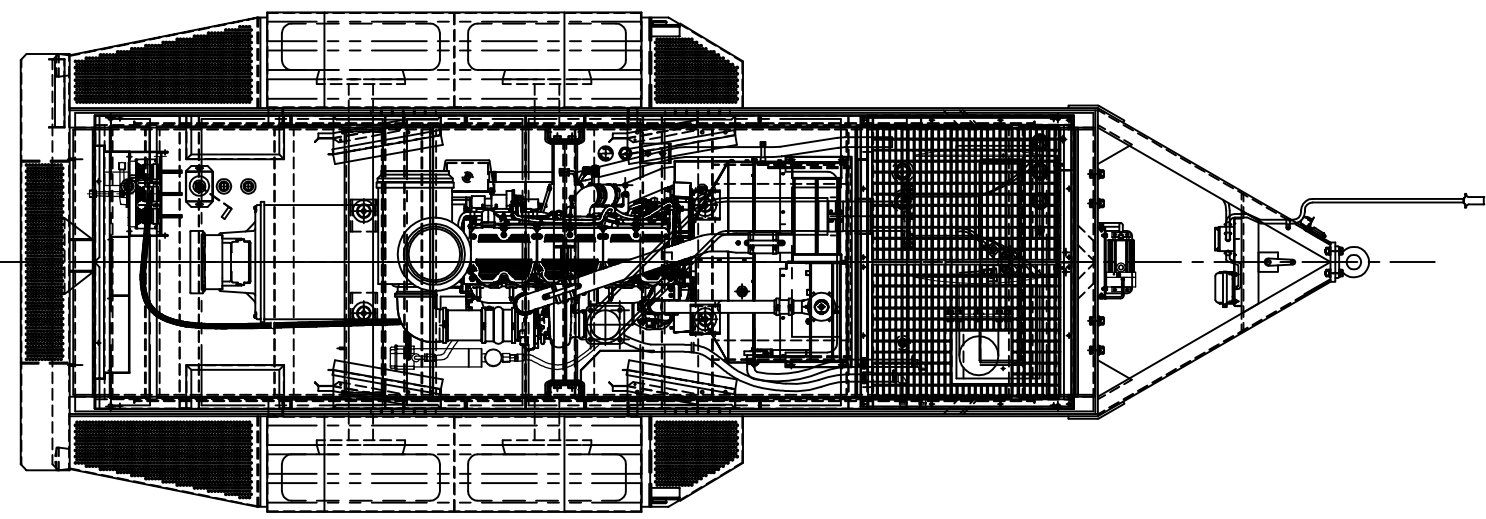
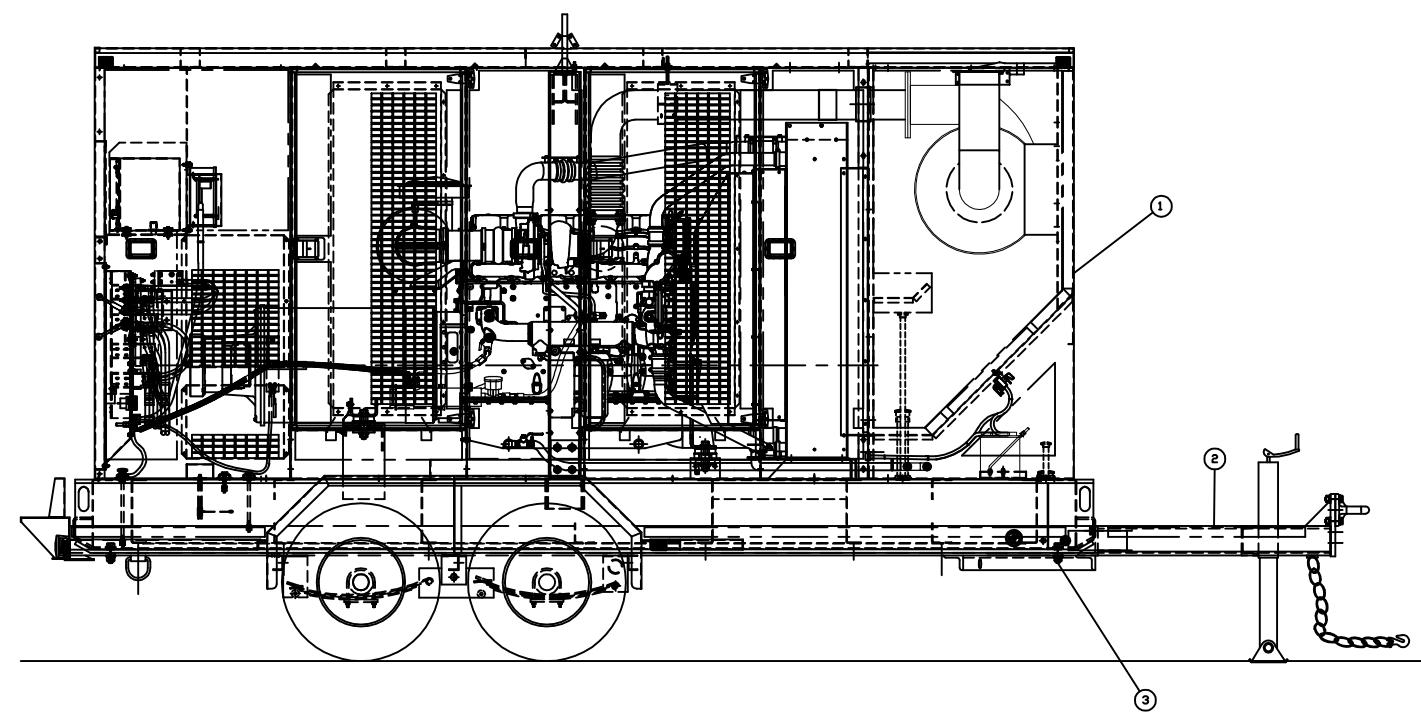


ITEM	QTY.	PART NO.	DESCRIPTION	WEIGHT
1	1	54A203	XQ400 DUAL VOLTAGE CSA ARRANGEMENT W/O FUEL	14,430
2	1	54A225	TRAILER GROUP	18,200
3	1	54A226	TRAILER MOUNTING GROUP	3,100

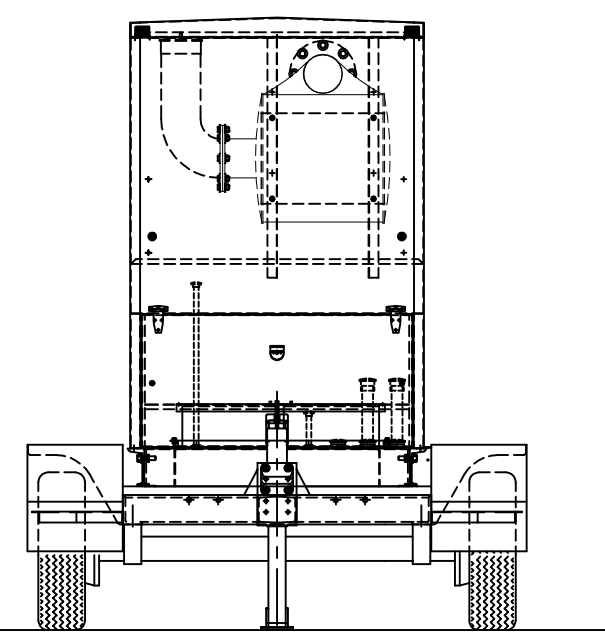
TOTAL PACKAGE WEIGHTS:
 GENERATOR SET W/ TRAILER & NO FUEL= 17,530 lbs.
 GENERATOR SET W/ TRAILER & FUEL LOAD= 21,300 lbs.



TOP VIEW



SIDE VIEW



FRONT VIEW

CHANGE NOTICE 1 1		ALTORFER 6315 W. FAUBER RD. BARTONVILLE, IL 61607 PHONE (309) 697-1234 FAX (309) 282-7546	
		THIS DOCUMENT CONTAINS PROPRIETARY INFORMATION OF ALTORFER, INC. WITHOUT THE WRITTEN PERMISSION OF ALTORFER, INC., ANY COPYING OR OTHER USE EXCEPT THAT FOR WHICH IT WAS INTENDED IS PROHIBITED	
ALL DIMENSIONS IN INCHES UNLESS OTHERWISE SPECIFIED TOLERANCES: .XX ± 0.100 ANGLE .XXX ± 0.060 THIRD ANGLE PROJECTION .XXX ± 0.005 ANGULAR ± 1°		FILE DF/54A SCALE/SHEET SIZE 1=20/D SHEET 1 OF 1	PROJECT REFERENCE XQ400/C15 APS400/C15 RENTAL PACKAGE DRAWN BY BML DATE 05-20-08
TITLE XQ400/APS400 CSA DUAL VOLTAGE (240/480) ARR. W/ TRAILER		QUOTE NUMBER - WORK ORDER NUMBER - DRAWING NUMBER 54A227	